
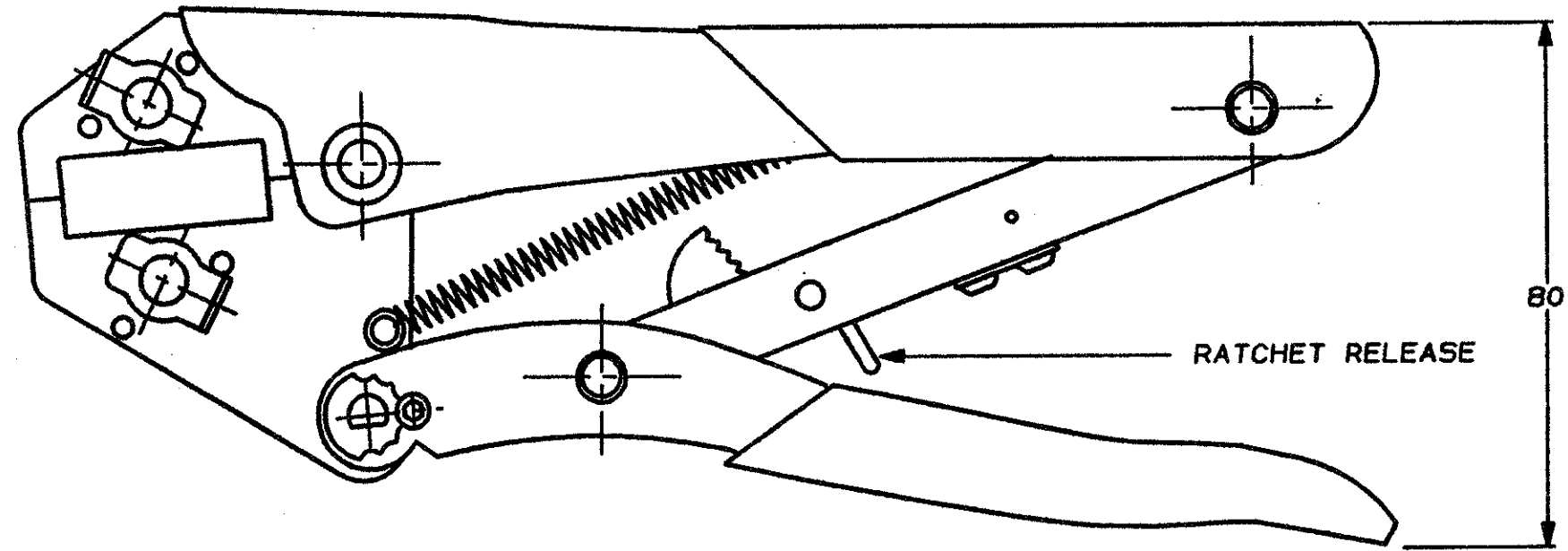
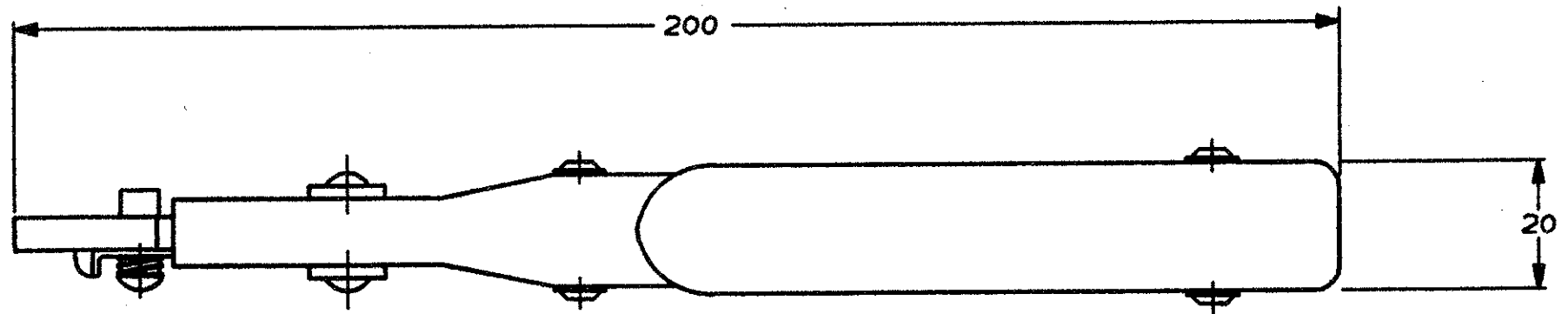


DO NOT SCALE
DIMENSIONS IN mm

METRIC

THIRD ANGLE
PROJECTION

	BLEU		734200-2
	BLEU	RESTRICTED FOR BMW	734200-1
	FINISH	NOTE	PARTNUMBER
CUSTOMER DRAWING	AMP AMP-HOLLAND B.V. 's-Hertogenbosch, The Netherlands.		
	THIS DRAWING IS UNPUBLISHED RELEASED FOR PUBLICATION 719		
FOR REFERENCE ONLY WILL NOT BE UPDATED		© COPYRIGHT 19- BY AMP-HOLLAND B.V. ALL INTERNATIONAL RIGHTS RESERVED. AMP PRODUCTS MAY BE COVERED BY U.S. AND FOREIGN PATENTS AND/OR PATENTS PENDING.	
DR. R. VOS	DATE 19-1-1989	WIRE RANGE -	NAME HANDTOOL FOR CHANGEABLE DIE SETS
CHK. R. VOS	DATE -	INSUL. RANGE -	
APP. L. V. SOEST	DATE -	SIZE A3	DWG. No. C-734200
		SHEET 1 OF -	REV. DATE D M Y 19 1 89
			REV. LTR. A

F
E
D
C
B
A

5 4 3 2 1