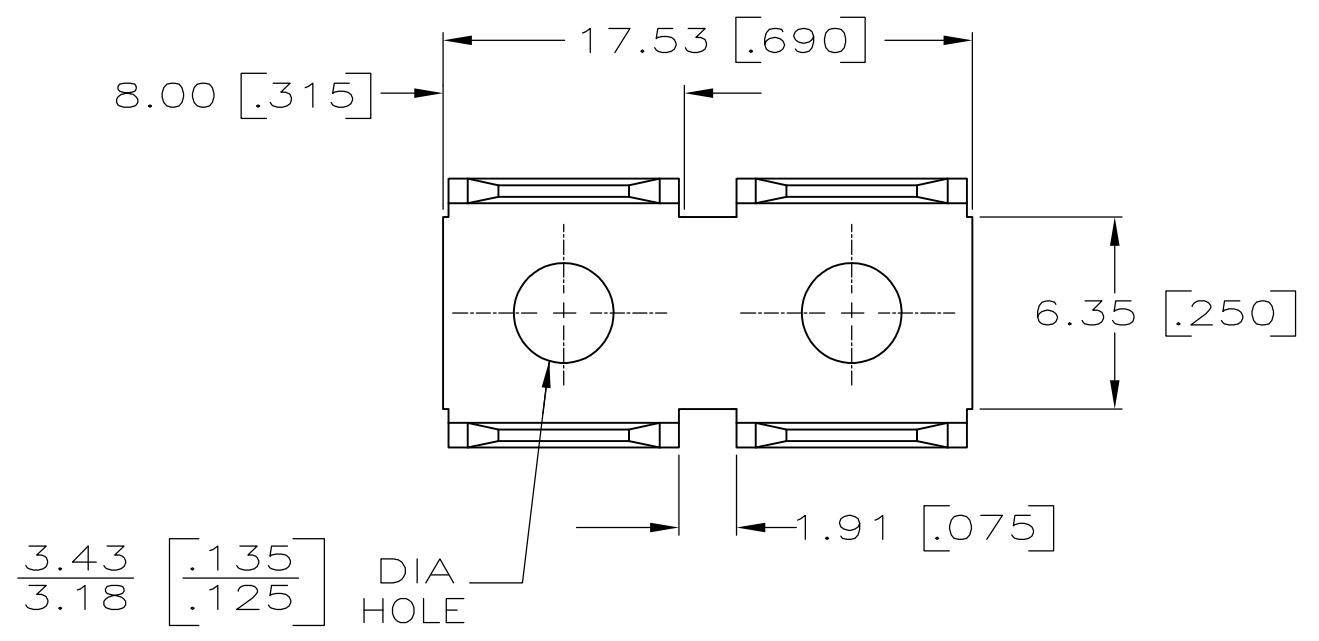
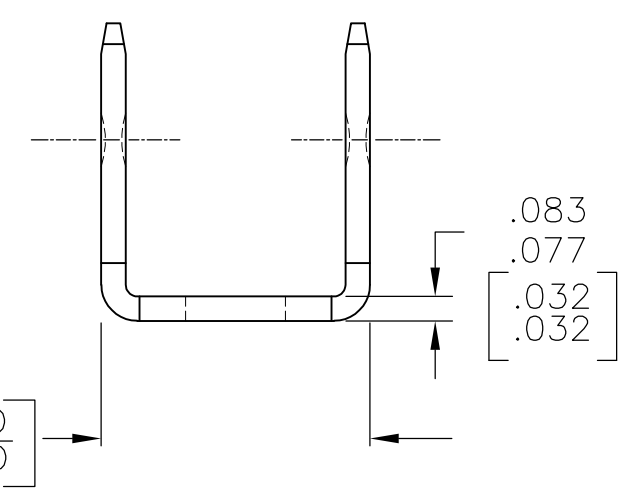
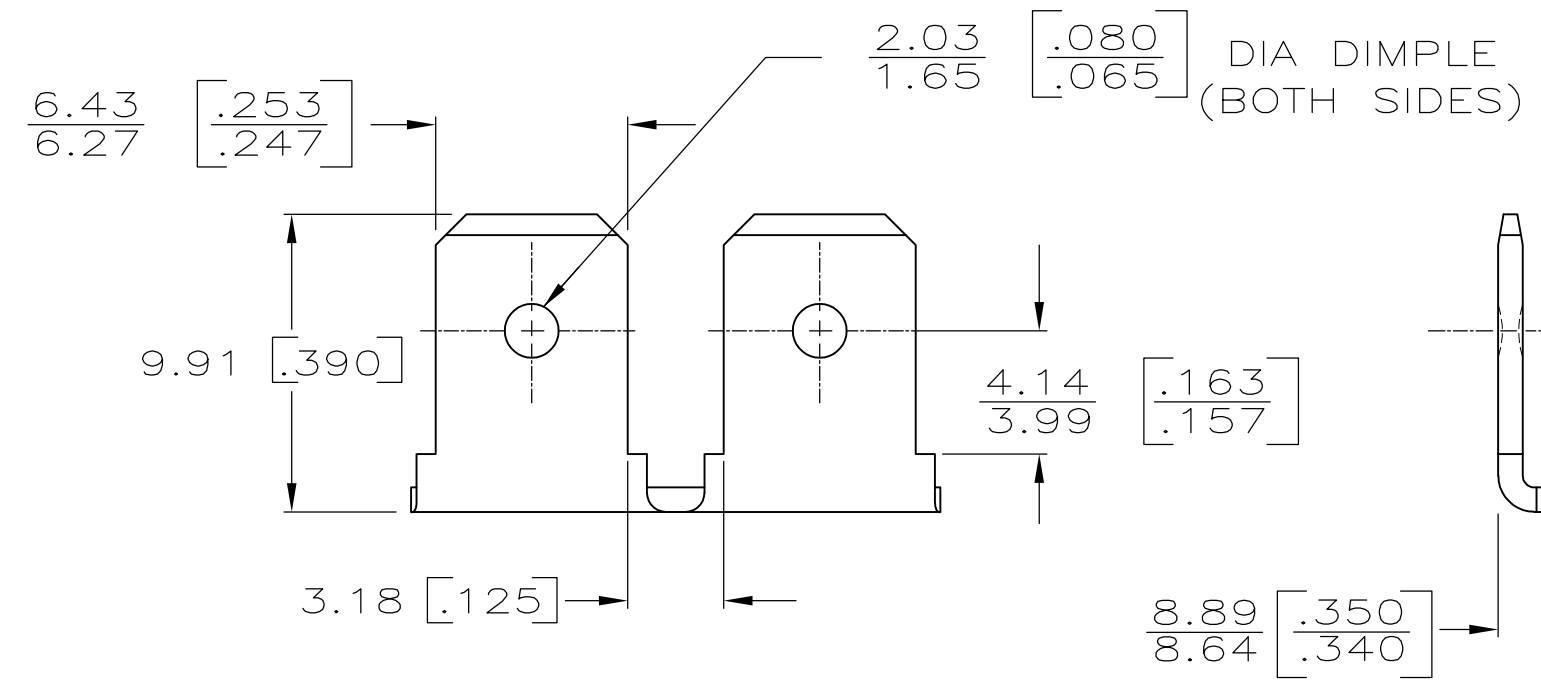


THIS DRAWING IS UNPUBLISHED. RELEASED FOR PUBLICATION  
 © COPYRIGHT - By - ALL RIGHTS RESERVED.

LOC	DIST	REVISIONS			
P	LTR	DESCRIPTION	DATE	DWN	APVD
AF	50				
	AJ	REVISED PER ECR-13-011489	10DEC2013	KH	PD



- 1 DIMENSIONS IN BRACKETS ARE IN INCHES.
- 2 SUPPLIED IN LOOSE PIECE.



41291  
PART NO

THIS DRAWING IS A CONTROLLED DOCUMENT.		DWN	JR RUTH	8/13/86	<b>STE</b> TE Connectivity			
DIMENSIONS: mm [INCHES]		CHK	G YETTER	8/13/86				
TOLERANCES UNLESS OTHERWISE SPECIFIED:		APVD	C MEYERS	8/14/86	NAME			
0 PLC ± -		PRODUCT SPEC			.250 SERIES FASTON TAB			
1 PLC ± -		APPLICATION SPEC			SIZE	CAGE CODE	DRAWING NO	RESTRICTED TO
2 PLC ± -		MATERIAL			A300779			C-41291
3 PLC ± 0.25 [.010]		FINISH			SCALE 4:1			
4 PLC ± -		MATERIAL			SHEET 1 OF 1			REV
ANGLES ± -		MATERIAL			CUSTOMER DRAWING			AJ
MATERIAL		MATERIAL			SCALE 4:1			
BRASS		MATERIAL			SHEET 1 OF 1			