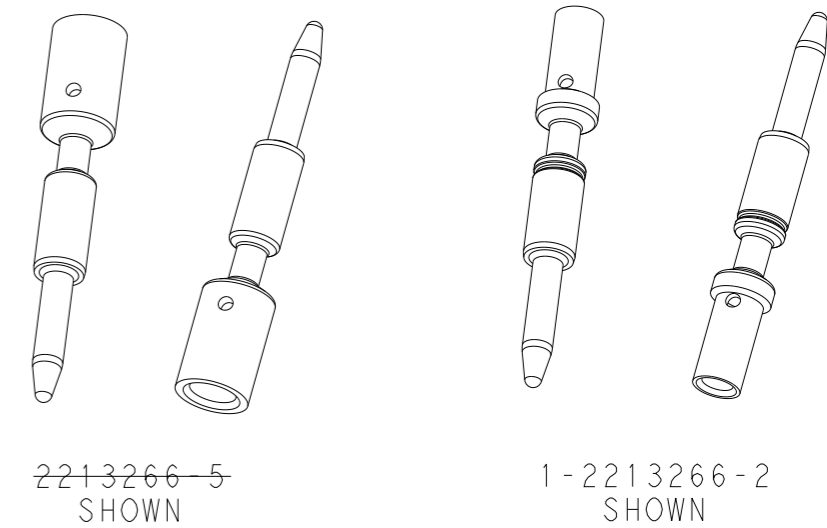
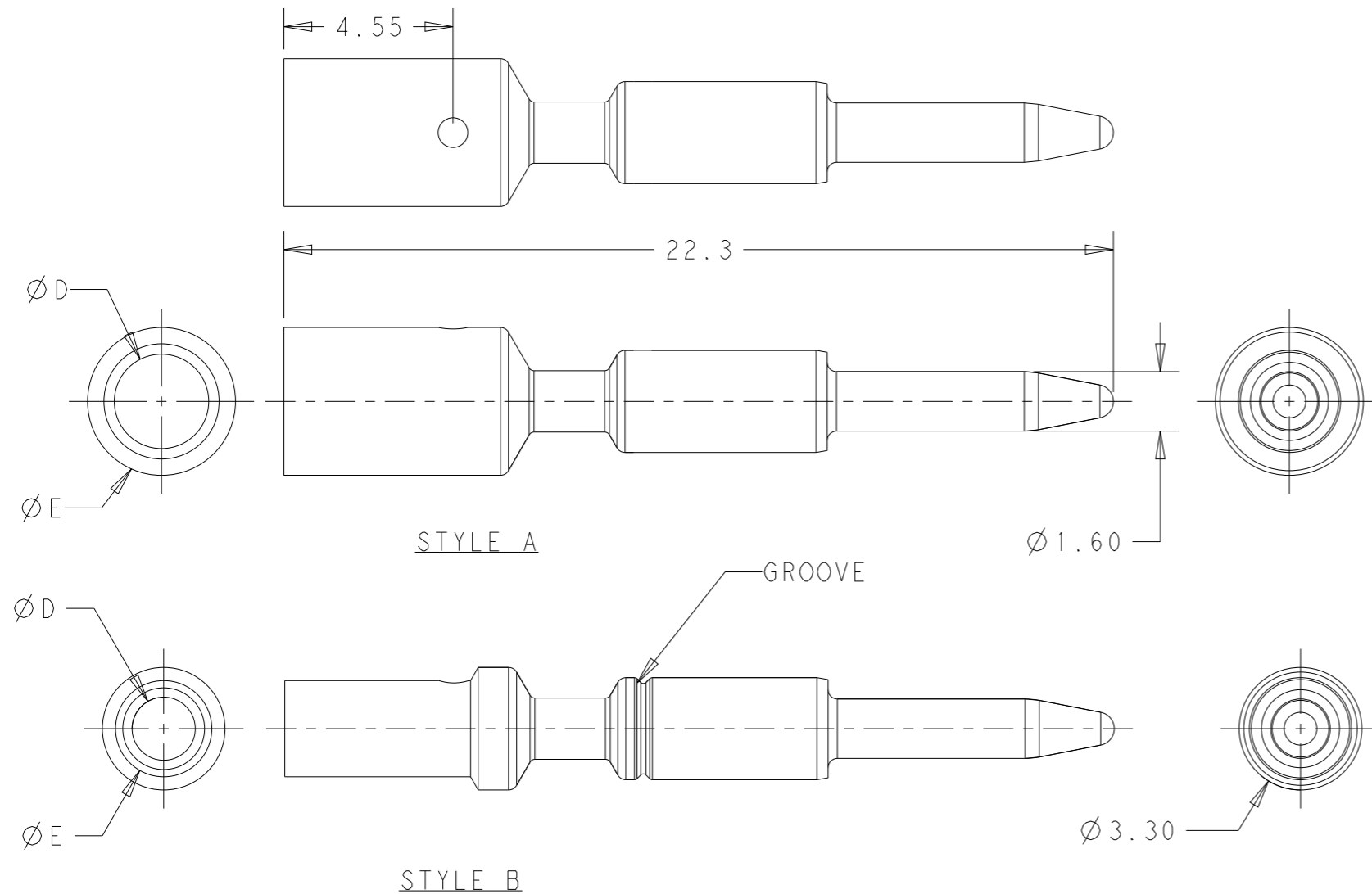


P	LTR	DESCRIPTION	DATE	DWN	APVD
	A	REVISED AS PER ECR-15-005925	21APR2015	RS	JL
	A1	REVISED AS PER ECR-21-107406	06OCT2021	SR	MZ



NOTES:

1. MATERIALS AND FINISH:
COPPER ALLOY, FINISH: Sn OVER Ni
2. MUST COMPLY WITH DIRECTIVE 2002/95/EC (ROHS)
3. THIS PRODUCT HAS NOT COMPLETED VALIDATION TESTING

OBSOLETE

16/18	2.59	1.70	1	B	1-2213266-2
14	3.98	2.54	N/A	A	2213266-5
WIRE (AWG)	DIM. "E"	DIM. "D"	NO OF GROOVES	BARREL STYLE	PART NO

THIS DRAWING IS A CONTROLLED DOCUMENT.		DWN RAVI.S 29MAY2013															
DIMENSIONS: mm		CHK C GINGRICH 29MAY2013															
TOLERANCES UNLESS OTHERWISE SPECIFIED:		APVD C GINGRICH 29MAY2013	NAME MACHINED PIN CONTACT NECTOR M-LINE														
<table border="0"> <tr> <td>0 PLC</td> <td>±</td> </tr> <tr> <td>1 PLC</td> <td>±0.3</td> </tr> <tr> <td>2 PLC</td> <td>±0.15</td> </tr> <tr> <td>3 PLC</td> <td>±</td> </tr> <tr> <td>4 PLC</td> <td>±</td> </tr> <tr> <td>ANGLES</td> <td>±</td> </tr> </table>		0 PLC	±	1 PLC	±0.3	2 PLC	±0.15	3 PLC	±	4 PLC	±	ANGLES	±	PRODUCT SPEC 108-133014	SIZE A3		
0 PLC	±																
1 PLC	±0.3																
2 PLC	±0.15																
3 PLC	±																
4 PLC	±																
ANGLES	±																
MATERIAL NOTE 1		APPLICATION SPEC 114-32111	CAGE CODE 00779	DRAWING NO C-2213266	RESTRICTED TO -												
FINISH NOTE 1		WEIGHT -	SCALE 3:1														
		CUSTOMER DRAWING		SHEET 1 OF 1	REV A1												