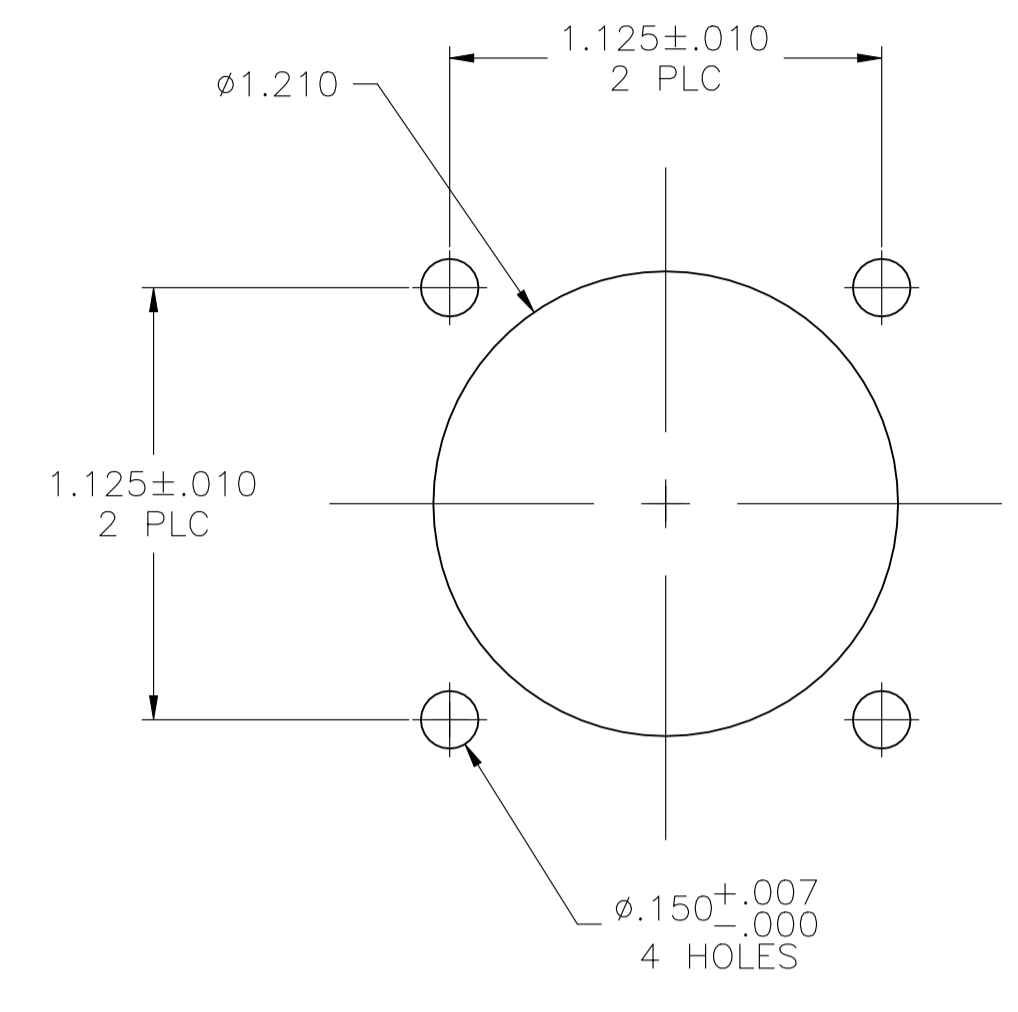
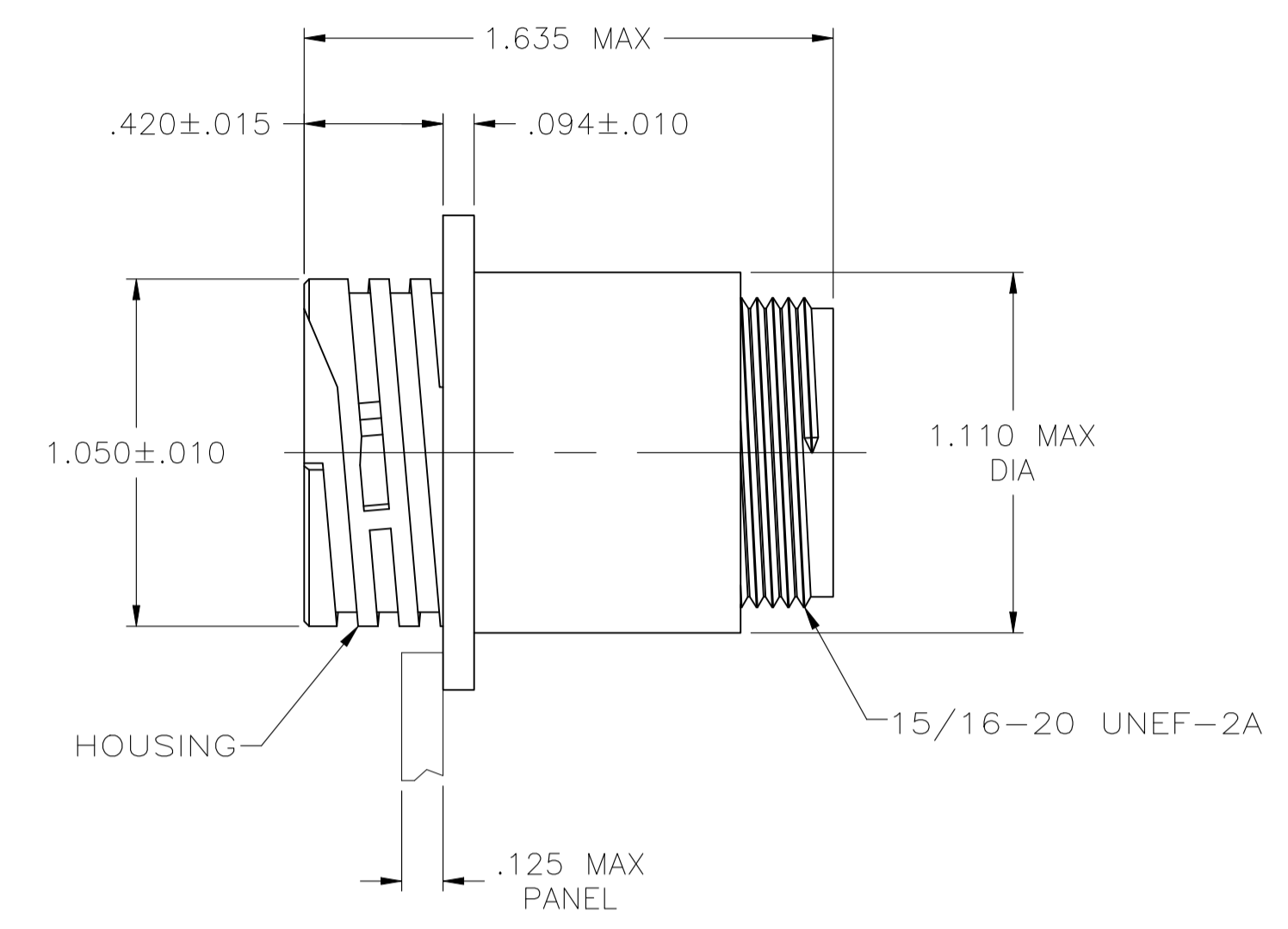
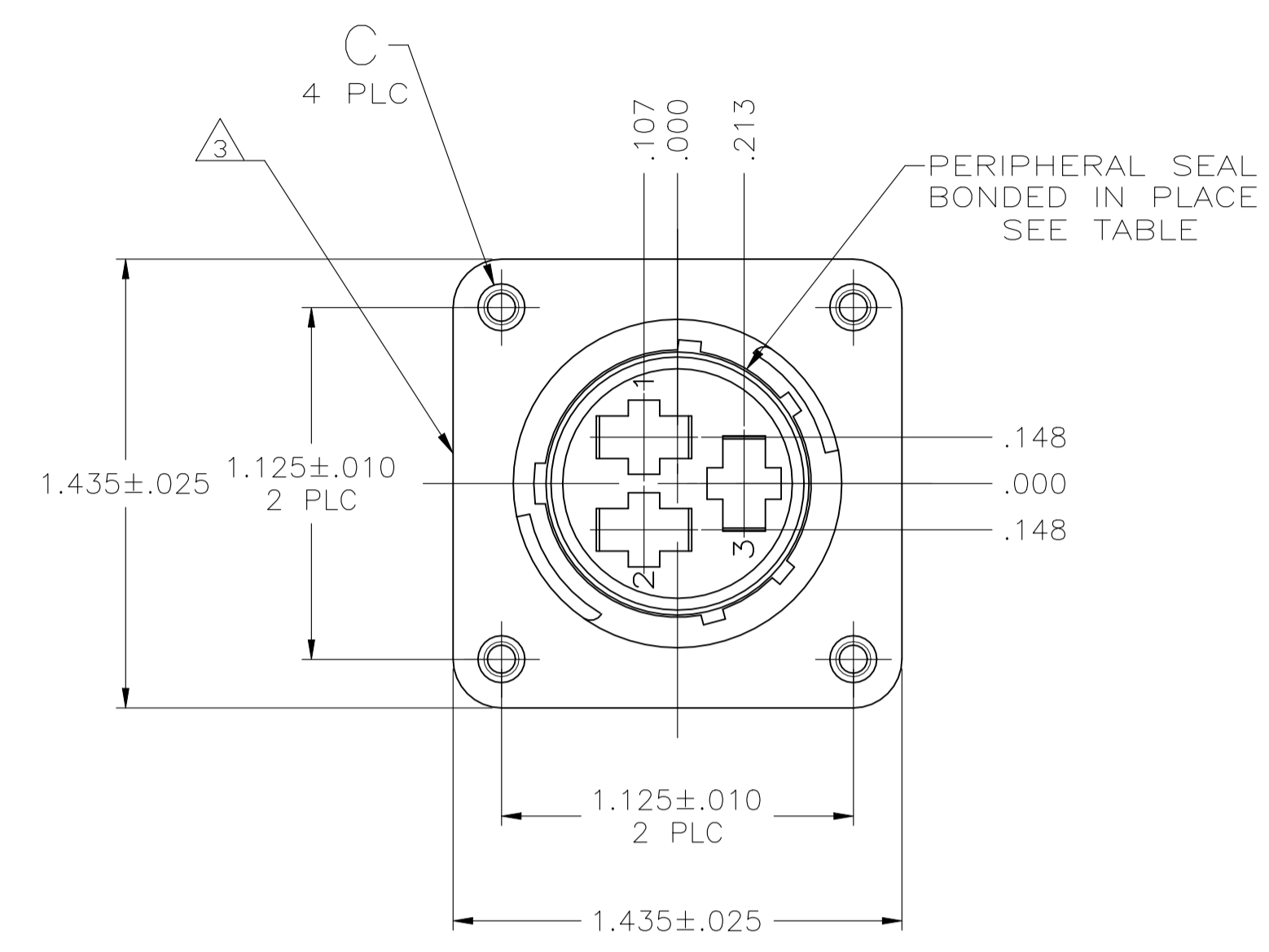
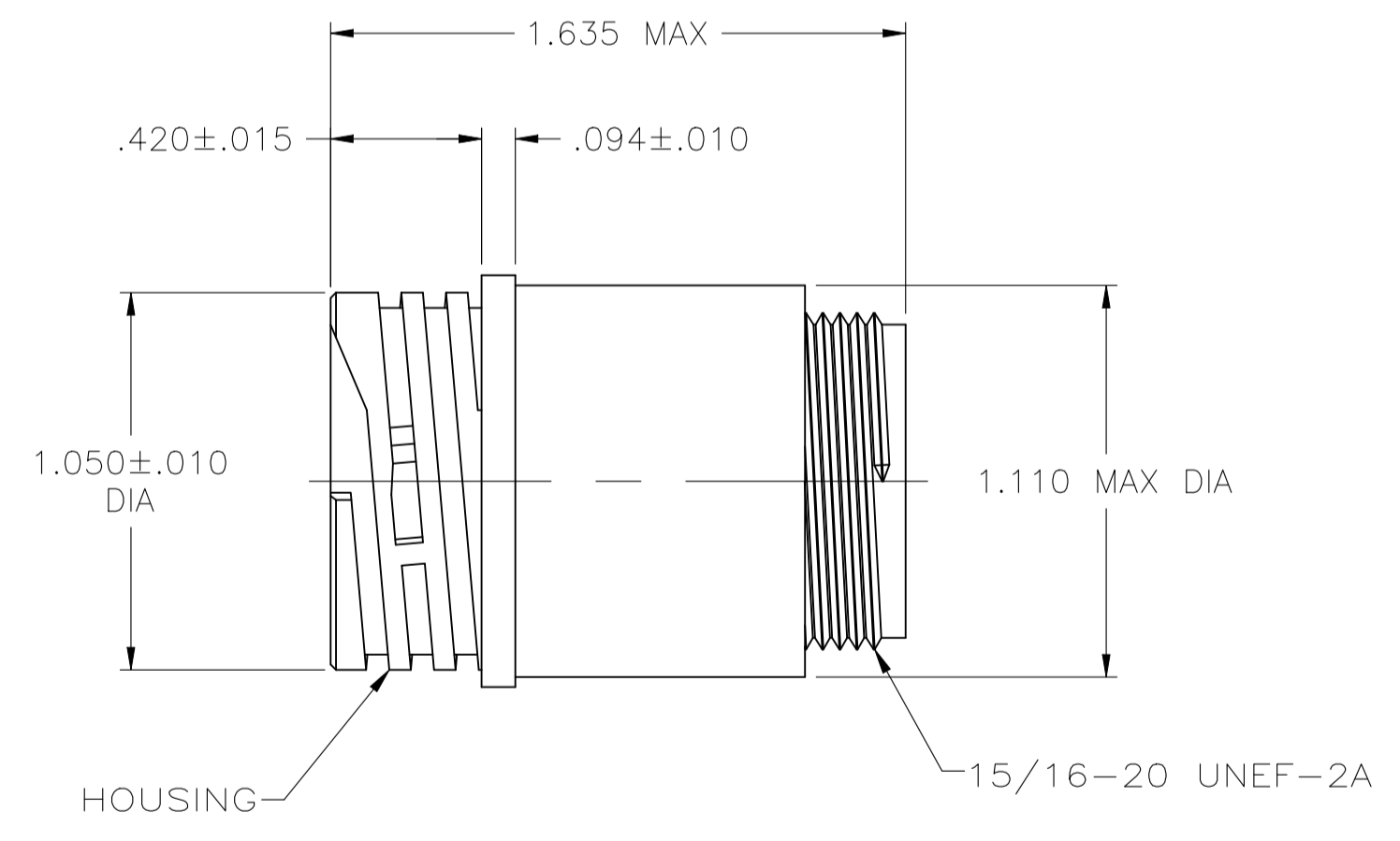
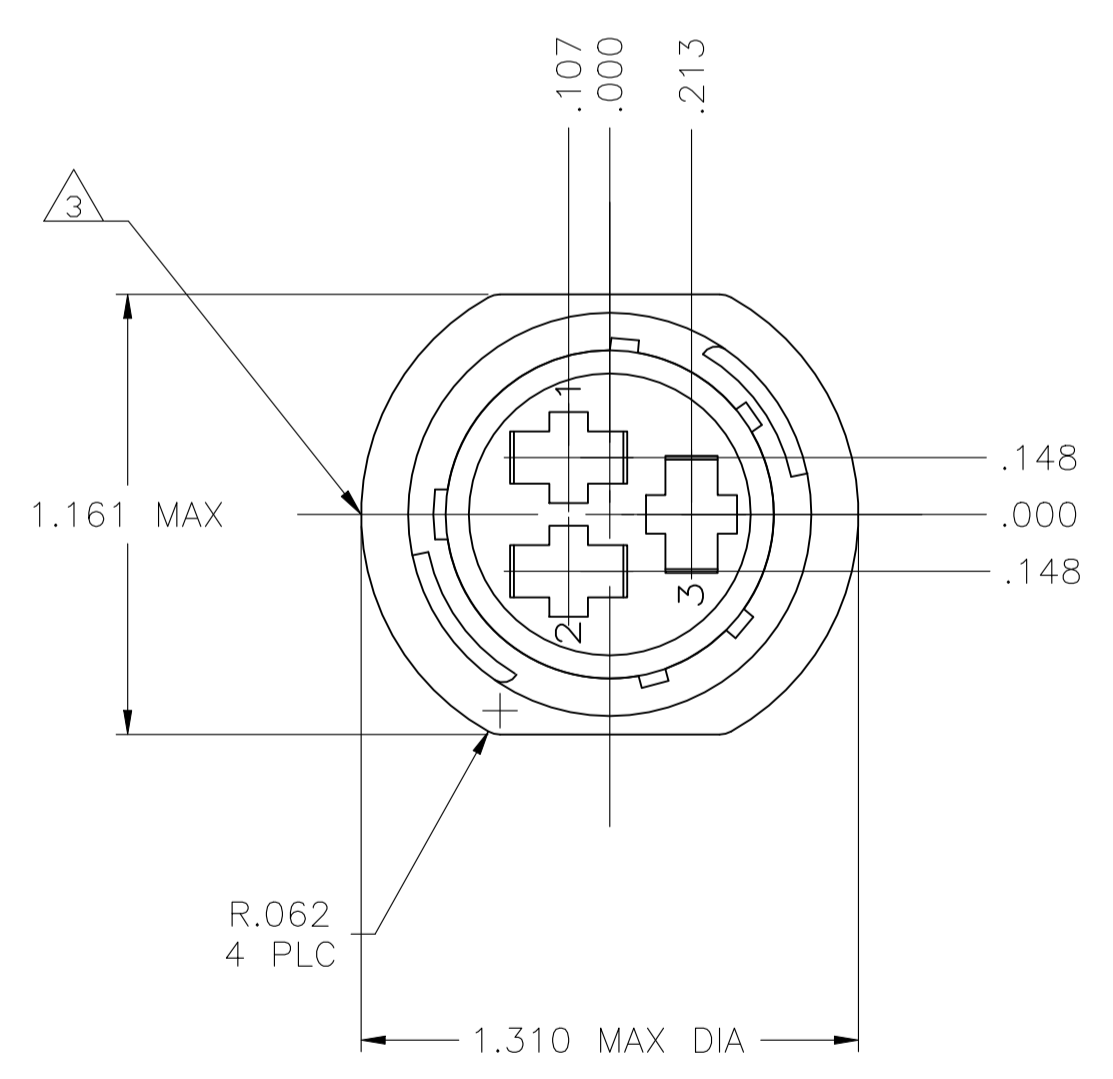


REVISIONS				
P	LTR	DESCRIPTION	DATE	APVD
K1		REVISED PER ECN-23-199892	01MAR2023	RK MZ



DETAIL A

RECOMMENDED PANEL CUTOUT



DETAIL B

- NOTES:**
- CAVITY IDENTIFICATION ON FRONT AND REAR FACE.
 - WILL ACCEPT (3) TYPE XII SOCKET CONTACTS.
 - TE LOGO AND PART NUMBER CAN BE LOCATED ON ANY FLANGE EDGE.

- 4 MATERIALS.**
- HOUSING USED ON 206425-1, 206425-2, 206425-3, 206425-5: PA66, BLACK
 - HOUSING USED ON 206425-6: POLYESTER, BLACK
 - PERIPHERAL SEAL: NITRILE BUTADIENE RUBBER, BLACK
 - THREADED INSERTS: BRASS

0.150 HOLES	NO	A	206425-6
4-40 THREADED INSERTS	NO	A	206425-5
0.150 HOLES	YES	A	206425-3
-	NO	B	206425-2
0.150 HOLES	NO	A	206425-1
C	PERIPHERAL SEAL	SEE DETAIL	PART NUMBER

THIS DRAWING IS A CONTROLLED DOCUMENT.		DIN M. BINNER 06/01/94	TE Connectivity
DIMENSIONS: INCHES		CHK R. STONE 6-23-94	
DIMENSIONS: INCHES 0 PLC ± - 1 PLC ± - 2 PLC ± .005 3 PLC ± - 4 PLC ± - ANGLES ± -		PRODUCT SPEC 108-10024 APPLICATION SPEC	NAME RECEPTACLE HOUSING, REVERSE SEX, SHELL SIZE 17, CPC
MATERIAL: HOUSING: NYLON, BLACK SEAL: ELASTOMER, GREY		WEIGHT A1 00779 C=206425	RESTRICTED TO CUSTOMER DRAWING
		SCALE 2:1	SHEET 1 of 1 REV K1