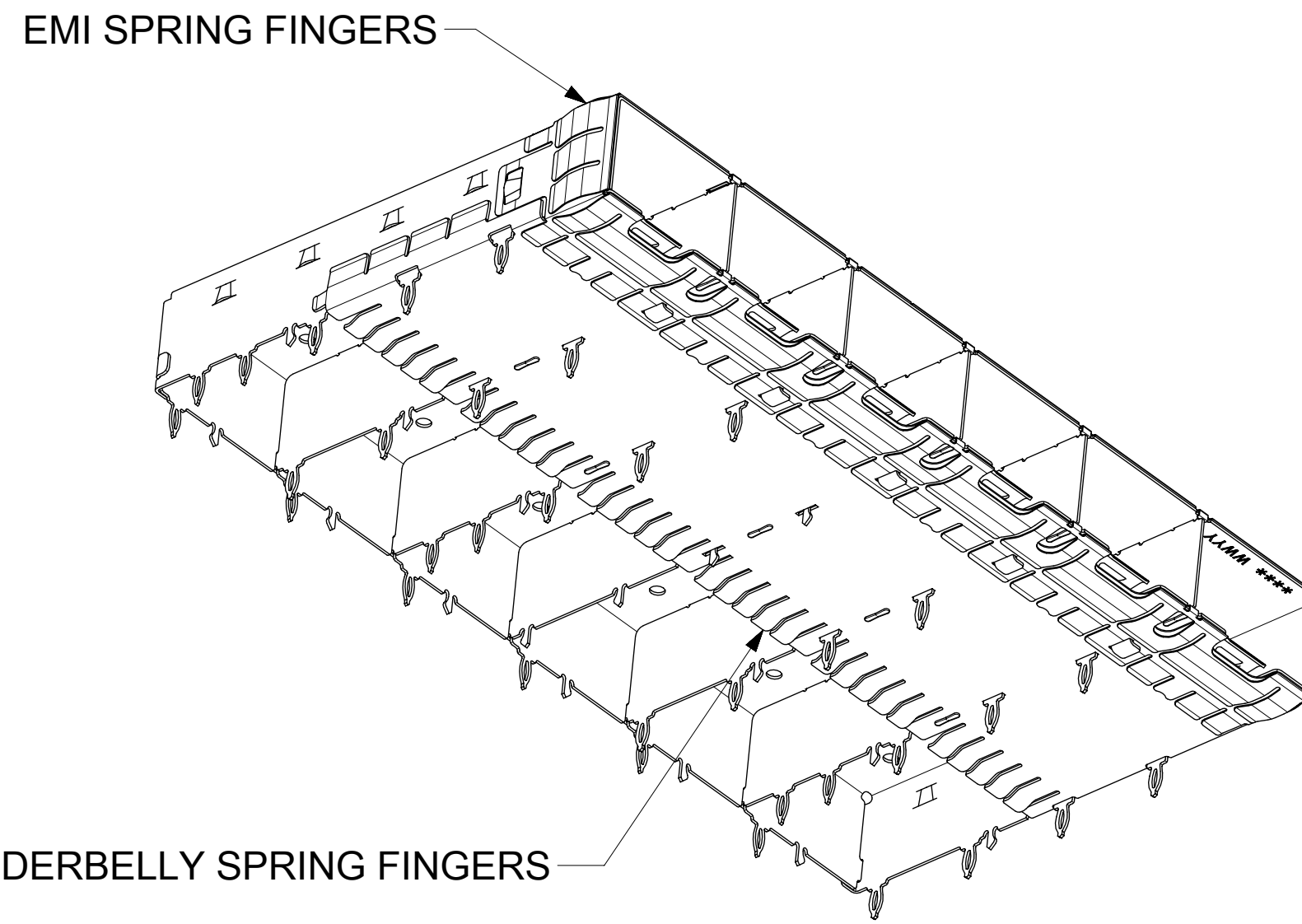
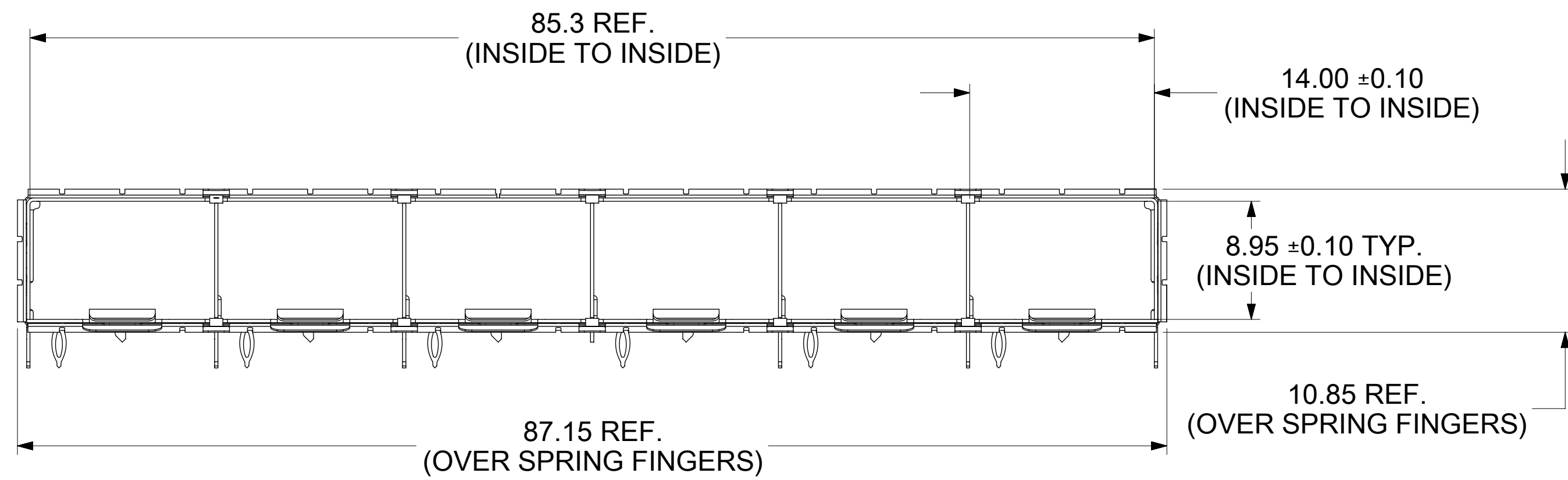
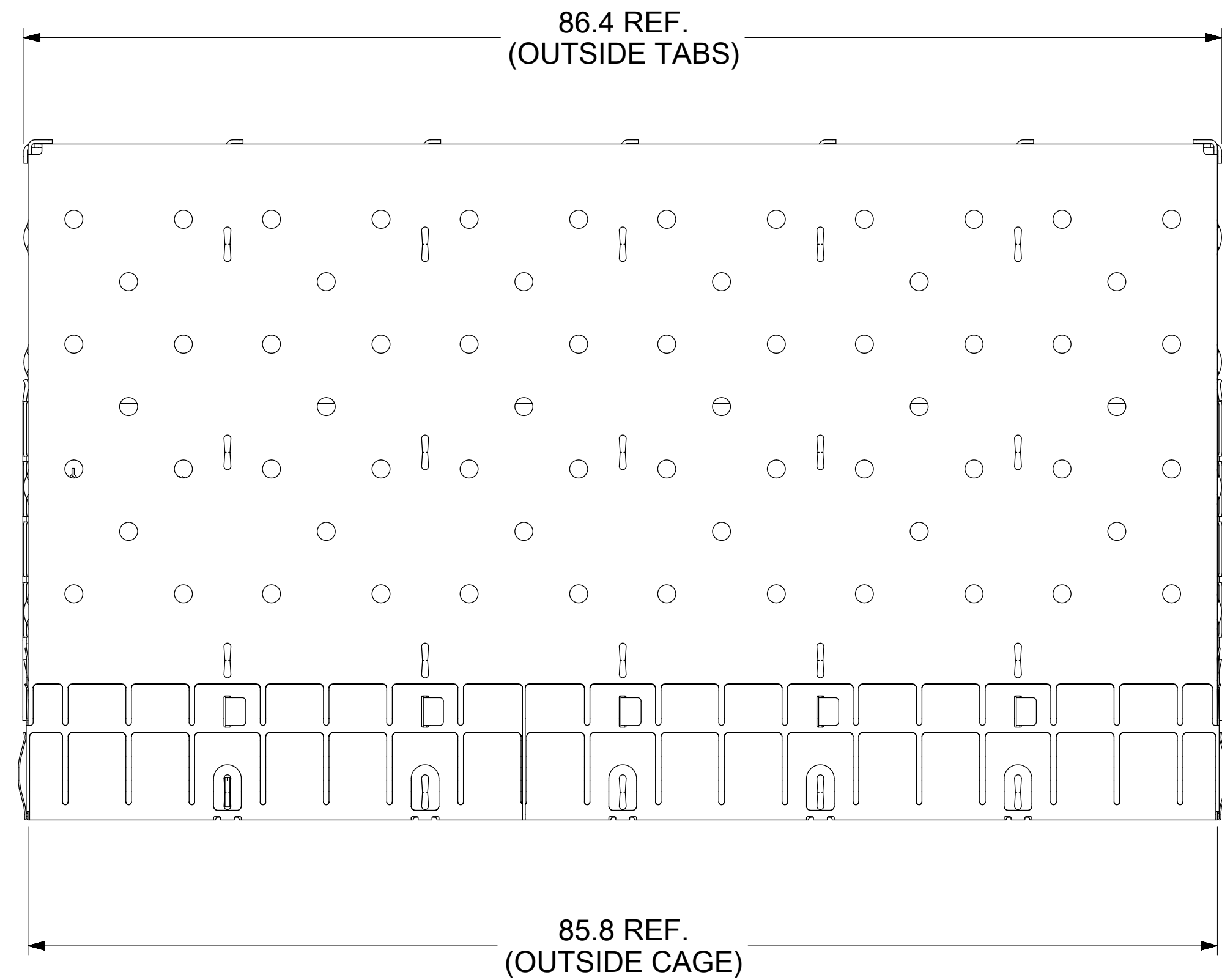
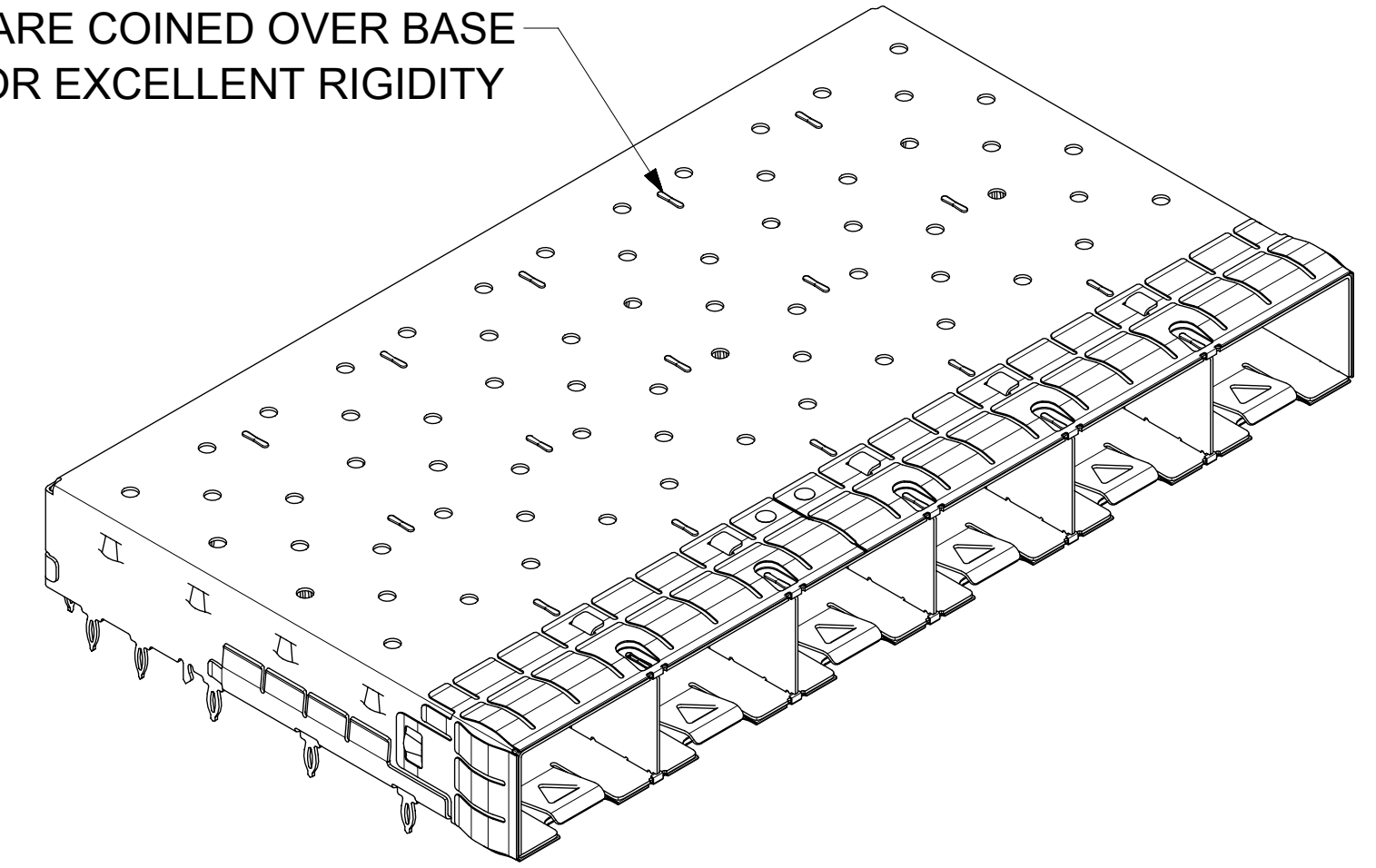


COMMON DIMENSION

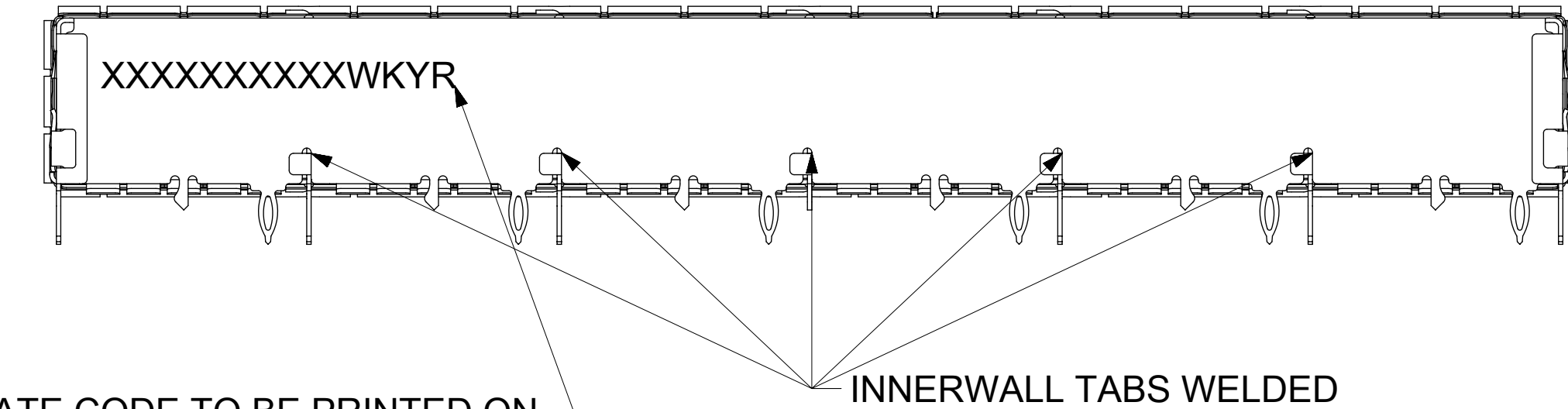
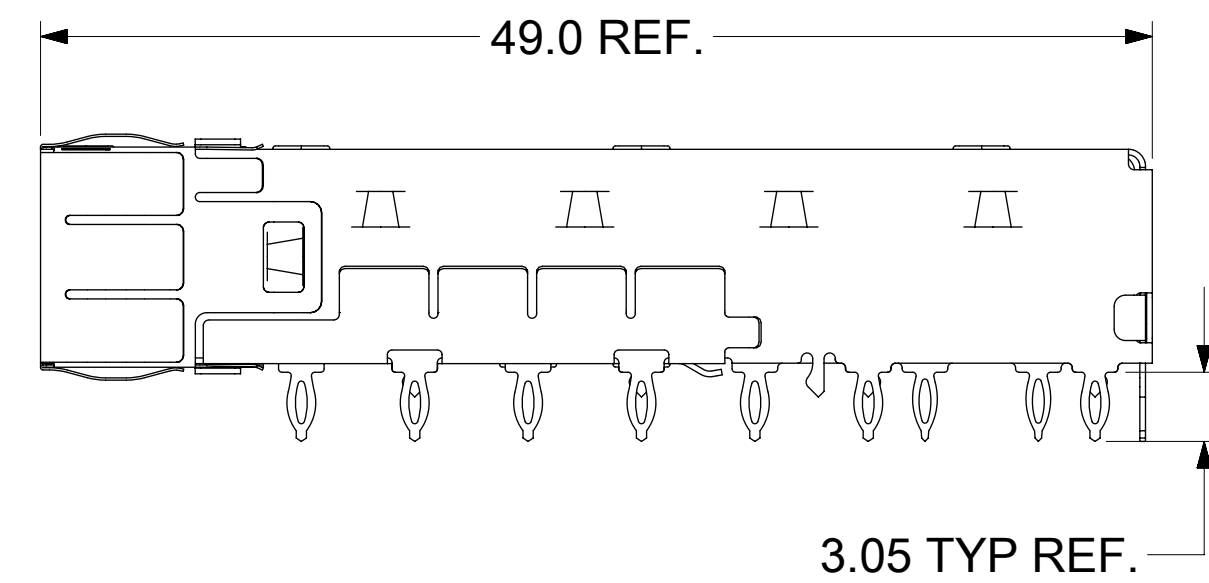
74754-8620
SHOWN



INNER WALLS ARE COINED OVER BASE AND COVER FOR EXCELLENT RIGIDITY



SFP+ 1X6 CAGES PRESS FIT W/ SPRING FINGERS		
MOLEX P/N	DESCRIPTION	PLATING
747548620	SFP+ 1X6 CAGE PRESS FIT W/2 WELD POINT W/ 5 WELD REAR TABS	PRE-PLATED: NICKEL (1.27~3.81 μm)
747548688	SFP+ 1X6 CAGE PRESS FIT W/12 WELD POINT W/ 5 WELD REAR TABS	PRE-PLATED: NICKEL (1.27~3.81 μm)



PART NO. AND WEEK/YEAR DATE CODE TO BE PRINTED ON BACK OF CAGE APPROXIMATE AS SHOWN. SEE TABLE BELOW FOR DATE CODE INFORMATION.

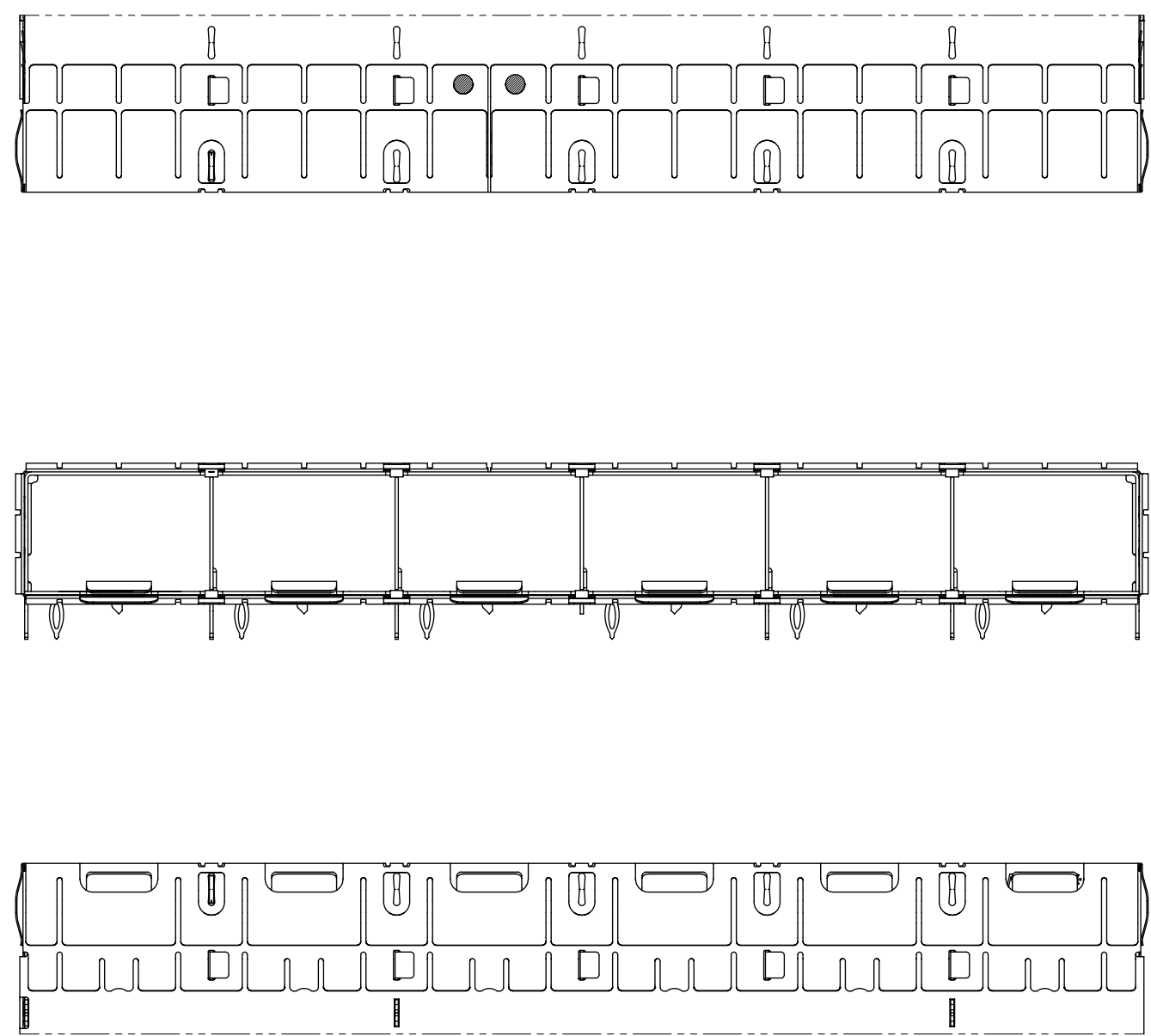
WEEK / YEAR DATE CODE:	
WK	01 THRU 52 OR 53. EXAMPLE: 01 = FIRST WEEK OF YEAR 52 OR 53 = LAST WEEK OF YEAR.
YR	22, 23, 24, EXAMPLE: 2022=22

NOTES:

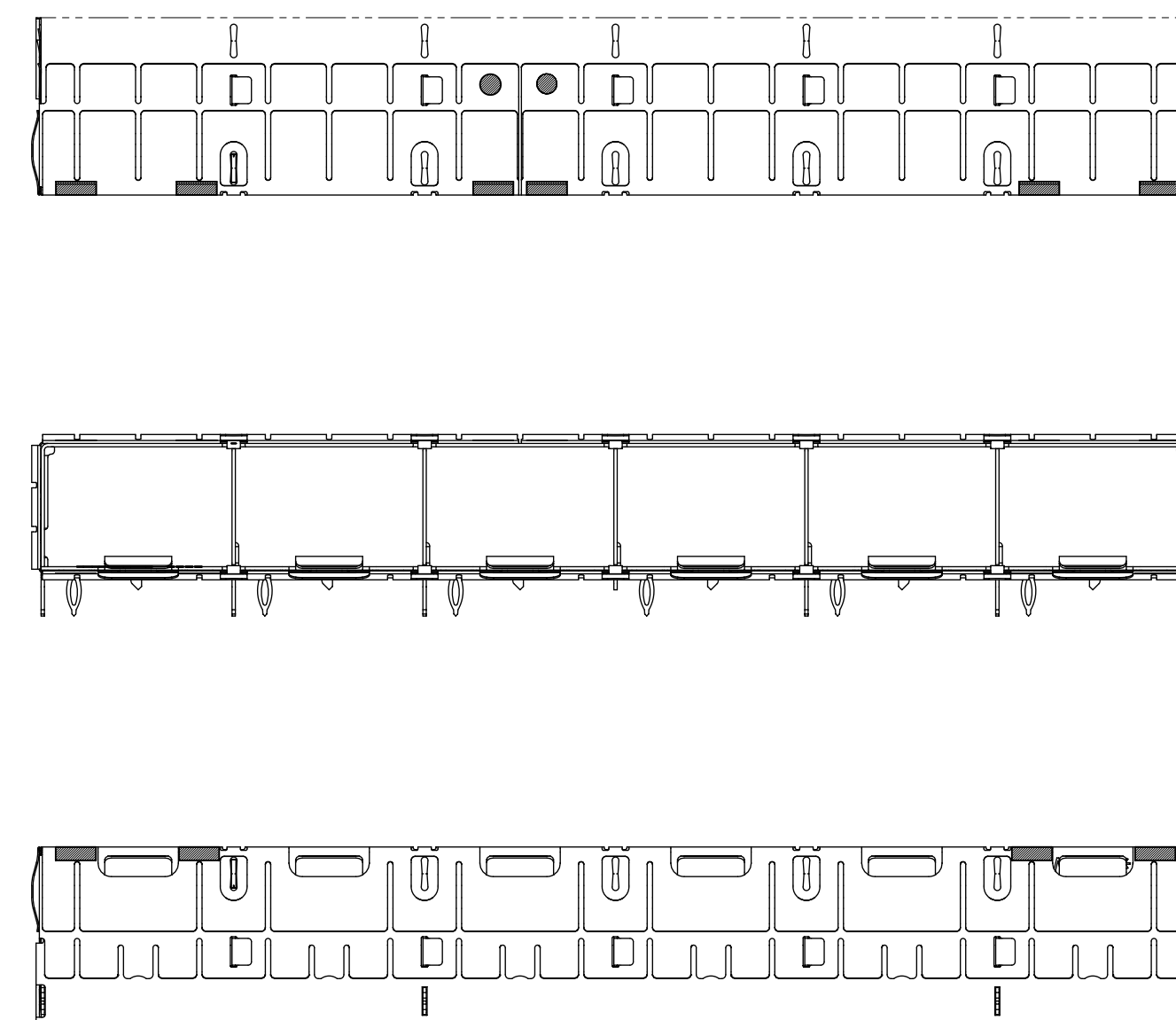
- MATERIAL:
CAGE: COPPER ALLOY, THICKNESS 0.25mm.
SPRING FINGER: STAINLESS STEEL.
- PRESS FIT LEGS 3.05 LONG -
1.57 MINIMUM PCB THICKNESS FOR SINGLE SIDED USE.
3.00 MINIMUM PCB THICKNESS FOR BELLY TO BELLY USE.
- OPTIONAL LIGHT PIPE ASSEMBLY AVAILABLE.
- WELD SPOTS MAY SHOW SLIGHT MATERIAL DISCOLORATION.
- PORTS ARE DESIGNED FOR SFP+ TRANSCEIVERS AND ARE COMPATIBLE WITH SFP TRANSCEIVERS.
- NO RoHS EXEMPTIONS.

FUNCTIONAL SYMBOLS $\nabla_A = 0$ $\nabla_E = 0$ $\nabla_P = 0$ DIVISIONAL SYMBOLS	THIS DRAWING CONTAINS INFORMATION THAT IS PROPRIETARY TO MOLEX ELECTRONIC TECHNOLOGIES, LLC AND SHOULD NOT BE USED WITHOUT WRITTEN PERMISSION	SCALE 3:1	CURRENT REV DESC: SEE REVISION TABLE	
	mm	GENERAL TOLERANCES (UNLESS SPECIFIED)	EC NO: 706897	
	4 PLACES ±	ANGULAR TOL ± °	DRWN: PKH	2022/04/05
	3 PLACES ±	2 PLACES ± 0.15	CHK'D: TKUMARKC	2022/05/18
2 PLACES ± 0.25	1 PLACE ± 0.25	APPR: SCHIEN	2022/05/19	
0 PLACES ±		INITIAL REVISION:		
		DRWN: PKH	2022/04/05	
		APPR: SCHIEN	2022/05/19	
DRAFT WHERE APPLICABLE MUST REMAIN WITHIN DIMENSIONS	THIRD ANGLE PROJECTION	DRAWING	SERIES	MATERIAL NUMBER
		D-SIZE	74754	747548620
				PSD ASY A
				SEE P/N TABLE
				GENERAL MARKET
				SHEET NUMBER
				1 OF 6

WELD LOCATION FOR FRONT SPRING FINGER FOR 747548620



WELD LOCATION FOR FRONT SPRING FINGER FOR 747548688



FUNCTIONAL SYMBOLS										THIS DRAWING CONTAINS INFORMATION THAT IS PROPRIETARY TO MOLEX ELECTRONIC TECHNOLOGIES, LLC AND SHOULD NOT BE USED WITHOUT WRITTEN PERMISSION									
FA = 0		mm		SCALE 2:1		CURRENT REV DESC: SEE REVISION TABLE								molex					
FC = 0		GENERAL TOLERANCES (UNLESS SPECIFIED)				EC NO: 706897				SFP+ 1X6 CAGE, PRESS FIT									
FD = 0		ANGULAR TOL ± °				4 PLACES ±				DRWN: PKH 2022/04/05				W/ SUS EMI SPRING FINGER, BELLY TO BELLY MNTG					
DIVISIONAL SYMBOLS		3 PLACES ±				CHK'D: TKUMARKC 2022/05/18				PRODUCT CUSTOMER DRAWING									
		2 PLACES ± 0.15				APPR: SCHIEN 2022/05/19				INITIAL REVISION:									
		1 PLACE ± 0.25				DRWN: PKH 2022/04/05				DOCUMENT NUMBER		DOC TYPE		DOC PART		REVISION			
		0 PLACES ±				APPR: SCHIEN 2022/05/19				747548620		PSD		ASY		A			
DRAFT WHERE APPLICABLE MUST REMAIN WITHIN DIMENSIONS				THIRD ANGLE PROJECTION		DRAWING		SERIES		MATERIAL NUMBER		CUSTOMER		SHEET NUMBER					
						D-SIZE		74754		SEE P/N TABLE		GENERAL MARKET		2 OF 6					

PCB LAYOUT FOR SINGLE SIDE MOUNT

HATCHED AREA DENOTES COMPONENTS AND TRACE KEEP-OUT (EXCEPT CHASSIS GROUND)

CROSS HATCHED AREA GOES TO CHASSIS GROUND (NO OSP) 6 PLCS

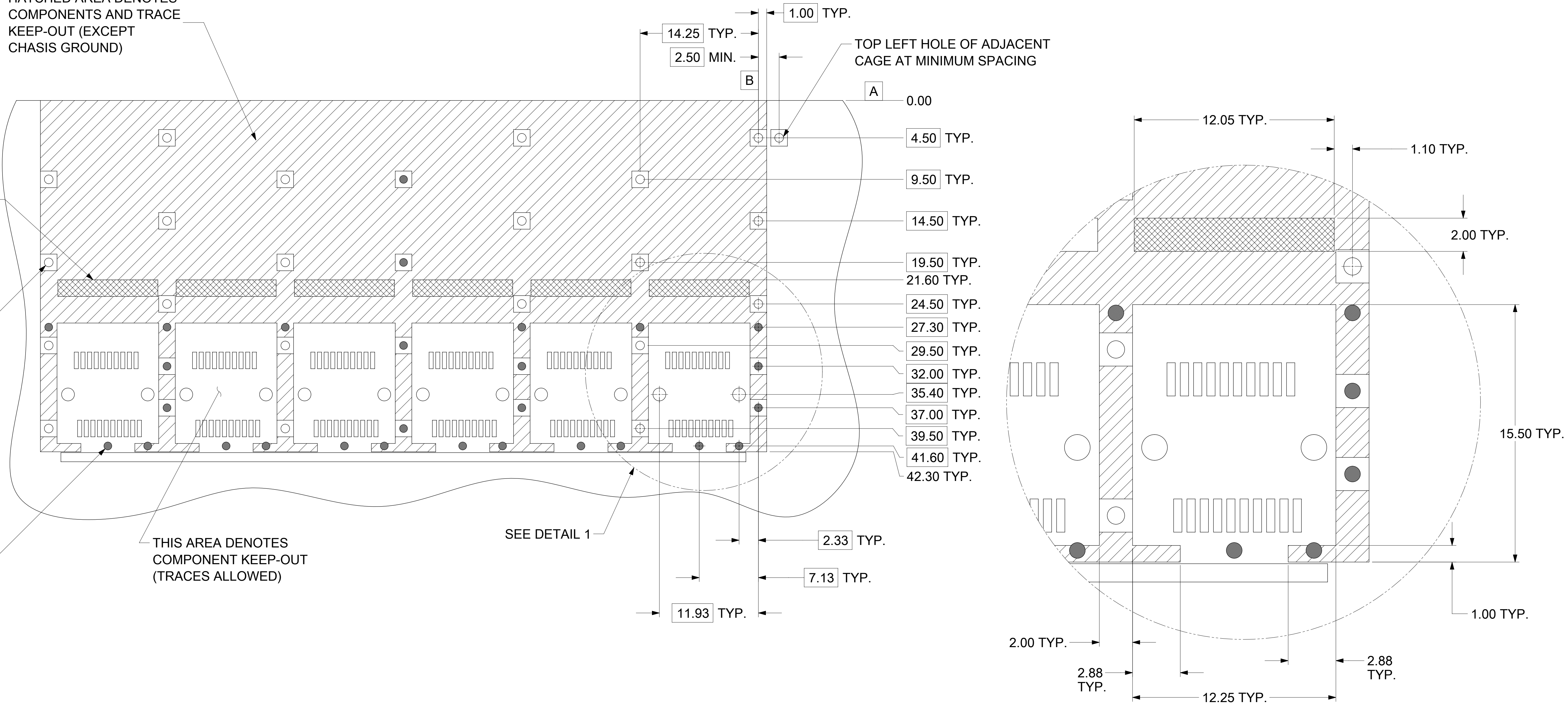
21X $\varnothing 1.05 \pm 0.05$
(SHOWN AS \oplus)
 $\oplus 0.10$ A B

28X $\varnothing 0.95 \pm 0.05$
(SHOWN AS \bullet)
 $\oplus 0.10$ A B

THIS AREA DENOTES COMPONENT KEEP-OUT (TRACES ALLOWED)

SEE DETAIL 1

TOP LEFT HOLE OF ADJACENT CAGE AT MINIMUM SPACING



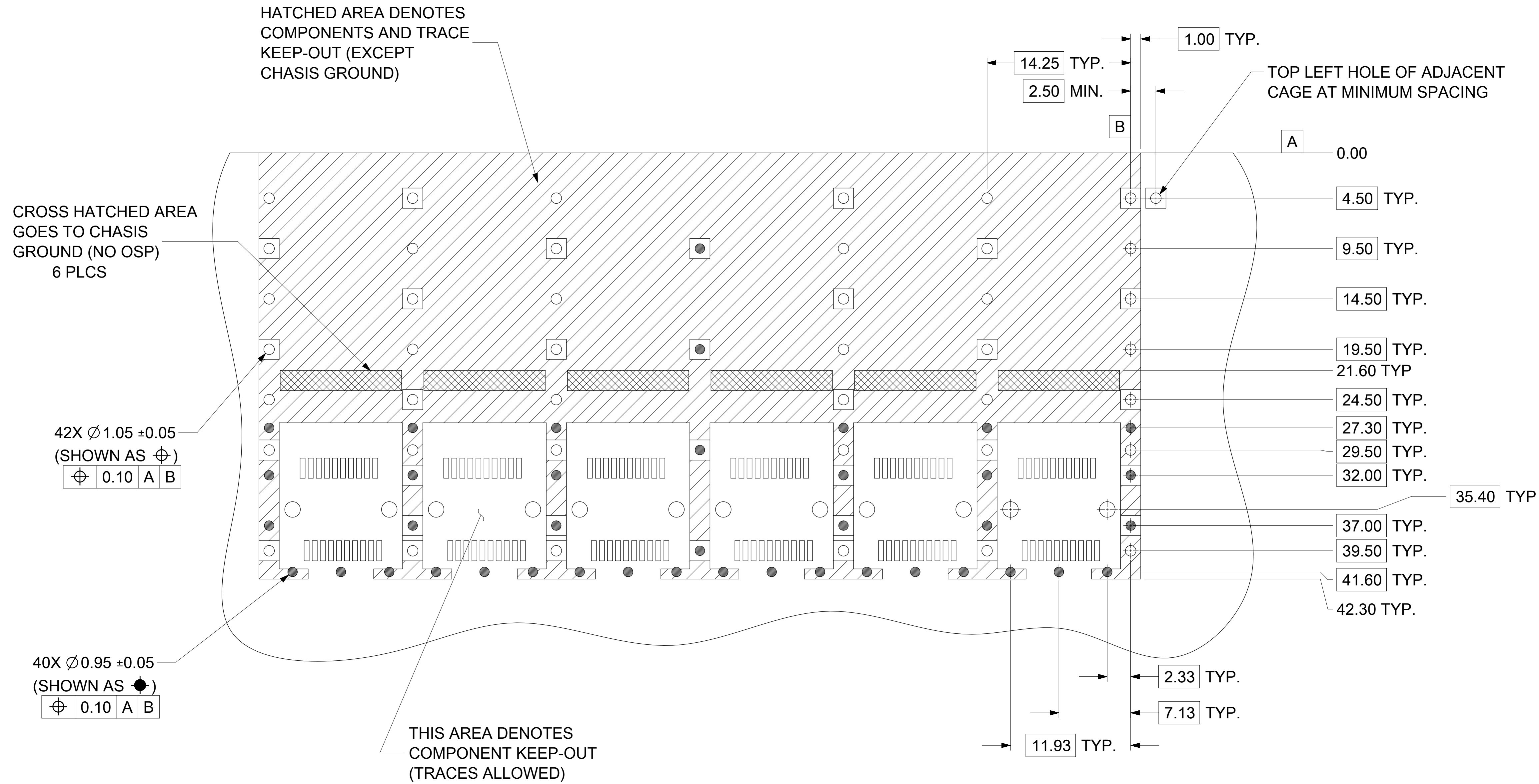
DETAIL 1
SCALE 8:1
HOST CONNECTOR DETAIL

NOTES:

1. PADS AND VIAS CONNECT TO CHASSIS GROUND. (RECOMMEND PADS TO BE 2.00mm SQUARE.)
2. RECOMMENDED THRU HOLE PLATING INCLUDES HASL, OSP, OR IMMERSION. (GOLD, SILVER, OR TIN.)
3. CONNECTOR PAD LAYOUT PER SFP+ MSA WILL ACCOMODATE MOLEX CONNECTOR SERIES 74441 OR EQUIVALENT.
4. HOLE PATTERN REPEATS FOR EACH PORT. SPACING BETWEEN PORTS IS 14.25mm.

FUNCTIONAL SYMBOLS	THIS DRAWING CONTAINS INFORMATION THAT IS PROPRIETARY TO MOLEX ELECTRONIC TECHNOLOGIES, LLC AND SHOULD NOT BE USED WITHOUT WRITTEN PERMISSION		CURRENT REV DESC: SEE REVISION TABLE	
	FA = 0	mm	SCALE	4:1
DIVISIONAL SYMBOLS	GENERAL TOLERANCES (UNLESS SPECIFIED)		EC NO: 706897	
	FC = 0	ANGULAR TOL	±	°
DIVISIONAL SYMBOLS	FD = 0	4 PLACES	±	
		3 PLACES	±	
		2 PLACES	±	0.15
		1 PLACE	±	0.25
	0 PLACES	±		
DRAFT WHERE APPLICABLE MUST REMAIN WITHIN DIMENSIONS		THIRD ANGLE PROJECTION	DRAWING	SERIES
			D-SIZE	74754
		MATERIAL NUMBER		CUSTOMER
		SEE P/N TABLE		GENERAL MARKET
		DOCUMENT NUMBER		DOC TYPE
		747548620		PSD
		INITIAL REVISION:		DOC PART
		DRWN: PKH 2022/04/05		ASV
		CHK'D: TKUMARKC 2022/05/18		A
		APPR: SCHIEN 2022/05/19		REVISION
		DRWN: PKH 2022/04/05		
		APPR: SCHIEN 2022/05/19		
SHEET NUMBER		3 OF 6		

PCB LAYOUT FOR BELLY TO BELLY MOUNTING



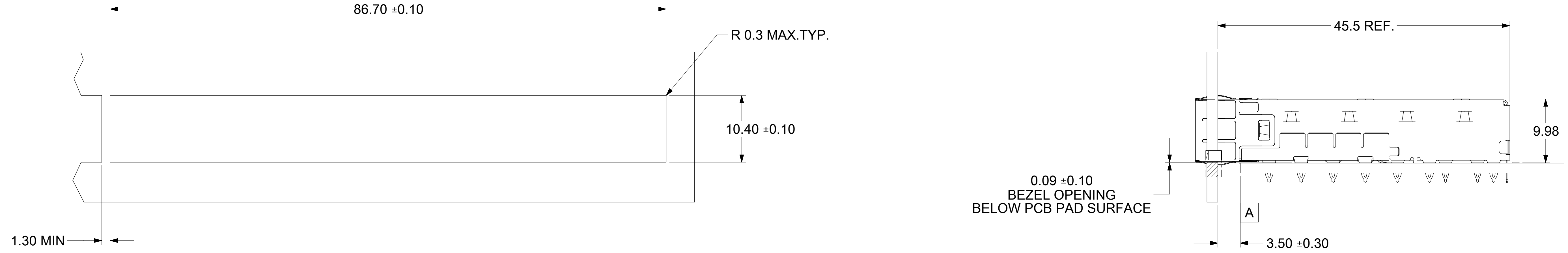
NOTE:
SEE SHEET 3 FOR
HOST CONNECTOR DETAIL

NOTES:

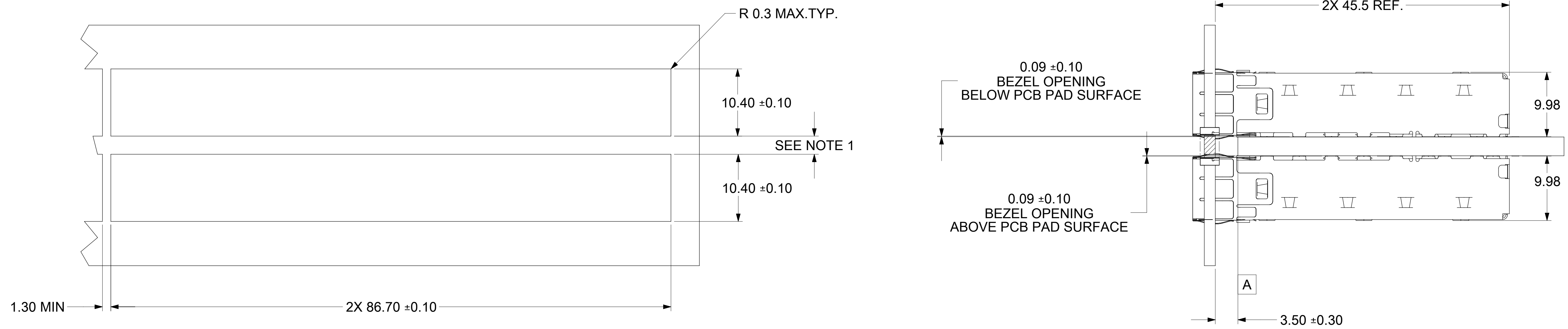
- PADS AND VIAS CONNECT TO CHASSIS GROUND. (RECOMMEND PADS TO BE 2.00mm SQUARE.)
- RECOMMENDED THRU HOLE PLATING INCLUDES HASL, OSP, OR IMMERSION. (GOLD, SILVER, OR TIN.)
- CONNECTOR PAD LAYOUT PER SFP+ MSA WILL ACCOMODATE MOLEX CONNECTOR SERIES 74441 OR EQUIVALENT.
- HOLE PATTERN REPEATS FOR EACH PORT. SPACING BETWEEN PORTS IS 14.25mm.

FUNCTIONAL SYMBOLS $F_A = 0$ $F_C = 0$ $F_P = 0$	THIS DRAWING CONTAINS INFORMATION THAT IS PROPRIETARY TO MOLEX ELECTRONIC TECHNOLOGIES, LLC AND SHOULD NOT BE USED WITHOUT WRITTEN PERMISSION		CURRENT REV DESC: SEE REVISION TABLE		<p>SFP+ 1X6 CAGE, PRESS FIT W/ SUS EMI SPRING FINGER, BELLY TO BELLY MNTG</p> <p>PRODUCT CUSTOMER DRAWING</p>
	DIMENSION UNITS	SCALE	GENERAL TOLERANCES (UNLESS SPECIFIED)		
	mm	4:1	ANGULAR TOL \pm °		
	4 PLACES \pm		3 PLACES \pm		
DIVISIONAL SYMBOLS	3 PLACES \pm		2 PLACES ± 0.15		EC NO: 706897 DRWN: PKH 2022/04/05 CHK'D: TKUMARKC 2022/05/18 APPR: SCHIEN 2022/05/19 INITIAL REVISION: DRWN: PKH 2022/04/05 APPR: SCHIEN 2022/05/19
	2 PLACES ± 0.15		1 PLACE ± 0.25		
	1 PLACE ± 0.25		0 PLACES \pm		
	0 PLACES \pm				
DRAFT WHERE APPLICABLE MUST REMAIN WITHIN DIMENSIONS		THIRD ANGLE PROJECTION	DRAWING	SERIES	DOCUMENT NUMBER
			D-SIZE	74754	747548620
					DOC TYPE
					PSD
					DOC PART
					ASY
					REVISION
					A
					MATERIAL NUMBER
					SEE P/N TABLE
					CUSTOMER
					GENERAL MARKET
					SHEET NUMBER
					4 OF 6

BEZEL AND BOARD POSITION DIMENSIONS FOR SINGLE SIDE MOUNTING (SPRING FINGER)



BEZEL AND BOARD POSITION DIMENSIONS FOR BELLY TO BELLY MOUNTING (SPRING FINGER)



NOTE:

1. PCB THICKNESS VARIATION MUST BE CONSIDERED WHEN DETERMINING BEZEL OPENING, SIZE, AND LOCATION.

FUNCTIONAL SYMBOLS	THIS DRAWING CONTAINS INFORMATION THAT IS PROPRIETARY TO MOLEX ELECTRONIC TECHNOLOGIES, LLC AND SHOULD NOT BE USED WITHOUT WRITTEN PERMISSION		
	DIMENSION UNITS	SCALE	CURRENT REV DESC: SEE REVISION TABLE
$\frac{F}{A} = 0$	mm	3:1	
$\frac{F}{C} = 0$	GENERAL TOLERANCES (UNLESS SPECIFIED)		
$\frac{F}{D} = 0$	ANGULAR TOL	± °	
DIVISIONAL SYMBOLS	4 PLACES	±	
	3 PLACES	±	
	2 PLACES	± 0.15	
	1 PLACE	± 0.25	
	0 PLACES	±	
DRAFT WHERE APPLICABLE MUST REMAIN WITHIN DIMENSIONS		THIRD ANGLE PROJECTION	DRAWING
			D-SIZE
		SERIES	74754
		MATERIAL NUMBER	SEE P/N TABLE
		CUSTOMER	GENERAL MARKET
		SHEET NUMBER	5 OF 6

molex

SFP+ 1X6 CAGE, PRESS FIT
W/ SUS EMI SPRING FINGER, BELLY TO BELLY MNTG

PRODUCT CUSTOMER DRAWING

DOCUMENT NUMBER	DOC TYPE	DOC PART	REVISION
747548620	PSD	ASY	A

DATE	REV	DESCRIPTION
2022/04/05	A	INITIAL RELEASE

FUNCTIONAL SYMBOLS	THIS DRAWING CONTAINS INFORMATION THAT IS PROPRIETARY TO MOLEX ELECTRONIC TECHNOLOGIES, LLC AND SHOULD NOT BE USED WITHOUT WRITTEN PERMISSION													
	DIMENSION UNITS	SCALE	CURRENT REV DESC: SEE REVISION TABLE							molex				
$\frac{F}{A} = 0$	mm	3:1	GENERAL TOLERANCES (UNLESS SPECIFIED)									SFP+ 1X6 CAGE, PRESS FIT W/ SUS EMI SPRING FINGER, BELLY TO BELLY MNTG		
$\frac{F}{C} = 0$	ANGULAR TOL ± °													
$\frac{F}{D} = 0$	4 PLACES ±		EC NO: 706897 DRWN: PKH 2022/04/05 CHK'D: TKUMARKC 2022/05/18 APPR: SCHIEN 2022/05/19							PRODUCT CUSTOMER DRAWING				
DIVISIONAL SYMBOLS	3 PLACES ±													
	2 PLACES ± 0.15		INITIAL REVISION: DRWN: PKH 2022/04/05 APPR: SCHIEN 2022/05/19							DOCUMENT NUMBER		DOC TYPE	DOC PART	REVISION
	1 PLACE ± 0.25									747548620		PSD	ASY	A
	0 PLACES ±		DRAFT WHERE APPLICABLE MUST REMAIN WITHIN DIMENSIONS		THIRD ANGLE PROJECTION	DRAWING	SERIES	MATERIAL NUMBER	CUSTOMER	SHEET NUMBER				
						D-SIZE	74754	SEE P/N TABLE	GENERAL MARKET	6 OF 6				

DOCUMENT STATUS	P1	RELEASE DATE	2022/05/19 07:40:30
-----------------	----	--------------	---------------------