

PART NO. AND WEEK/YEAR DATE CODE TO BE STAMPED ON THE SIDE OF COMPLETED CAGE ASSEMBLY APPROXIMATELY AS SHOWN

WEEK/YEAR DATE CODE TABLE	
WK	01 THRU 52 OR 53 EXAMPLE: 01 = FIRST WEEK OF YEAR 52= LAST WEEK OF THE YEAR
YR	17, 18, 19 ETC. EXAMPLE: YEAR 2017 = 17

NOTES:

- MATERIAL:
CAGE: NICKEL PLATED COPPER ALLOY, THICKNESS 0.25mm
SPRING FINGER: NICKEL PLATED COPPER ALLOY, THICKNESS 0.10mm
- PRESS FIT LEGS 3.05 LONG -
1.57 MINIMUM PCB THICKNESS FOR SINGLE SIDED USE
- PORTS ARE DESIGNED FOR SFP+ TRANSCEIVERS AND ARE BACKWARDS COMPATIBLE WITH SFP TRANSCEIVERS
- NO RoHS EXEMPTIONS.

THIS DRAWING CONTAINS INFORMATION THAT IS PROPRIETARY TO MOLEX ELECTRONIC TECHNOLOGIES, LLC AND SHOULD NOT BE USED WITHOUT WRITTEN PERMISSION

SEE REVISION TABLE EC NO: 114175 DRWN: PGSHETTY CHKD: DSUN15 REV / APPR: RCHEN08	GENERAL TOLERANCES (UNLESS SPECIFIED)		DIMENSION UNITS	SCALE	<p>SFP+ 1X1 PCI CAGE WITH SPRING FINGERS PRESS FIT</p> <p>PRODUCT CUSTOMER DRAWING</p>
	ANGULAR TOL ± 1.0 °		MM	3:1	
	4 PLACES ±	DRWN BY	DATE		
	3 PLACES ±	PGSHETTY	2017/01/25		
2 PLACES ± 0.15	CHKD BY	DATE		SERIES MATERIAL NUMBER CUSTOMER	
1 PLACE ± 0.25	DSUN15	2017/03/13			
0 PLACES ±	APPR BY	DATE		DOCUMENT NUMBER DOC TYPE DOC PART SHEET NUMBER	
DRAFT WHERE APPLICABLE MUST REMAIN WITHIN DIMENSIONS	RCHEN08	2017/04/06			
D	C	DRAWING SIZE	THIRD ANGLE PROJECTION		74754 747540104
					747540104 PSD ASY 1 OF 4

PCB LAYOUT FOR SINGLE SIDE MOUNT

HATCHED AREA DENOTES COMPONENT AND TRACE KEEP-OUTS (EXCEPT CHASSIS GROUND)

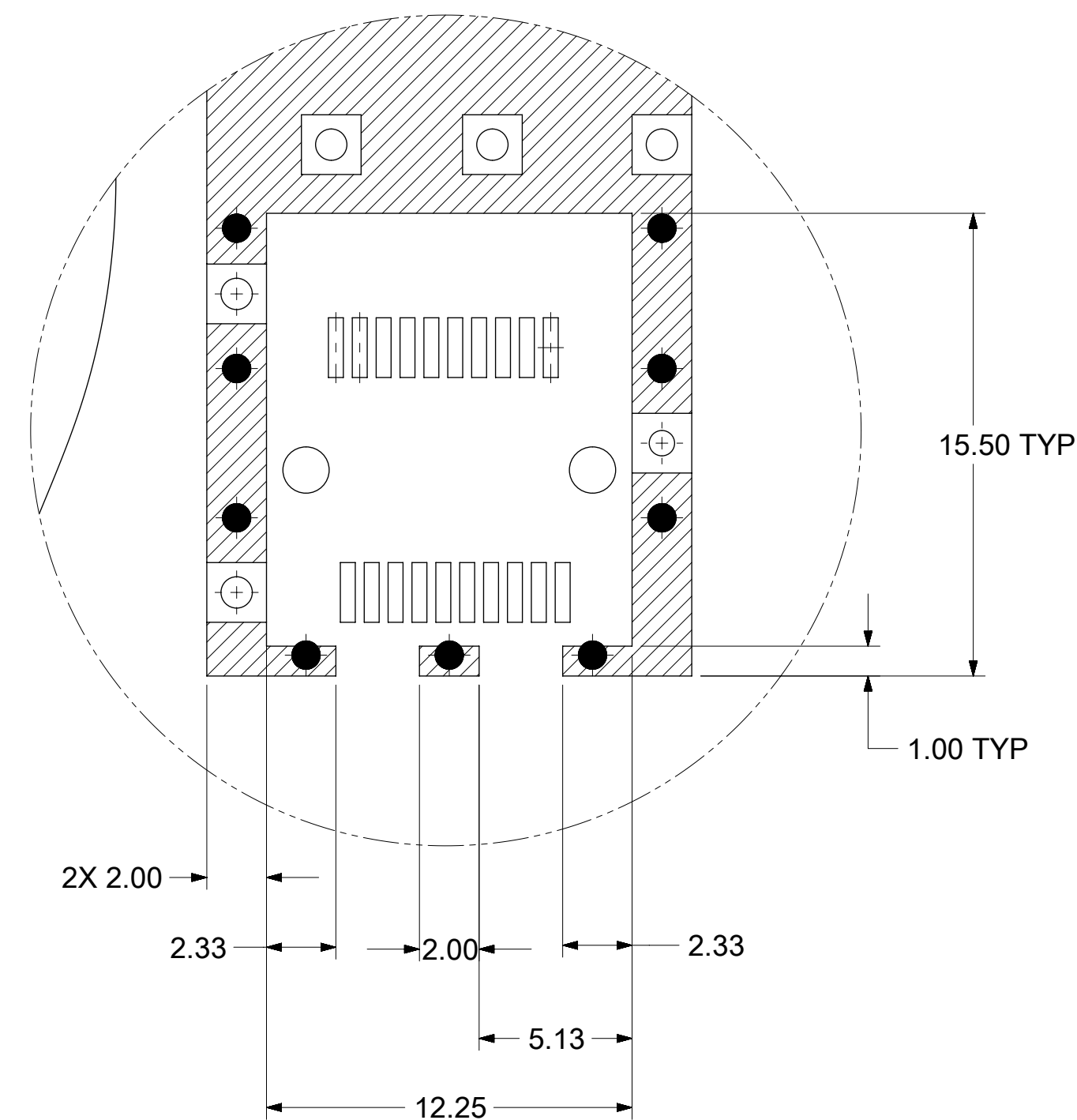
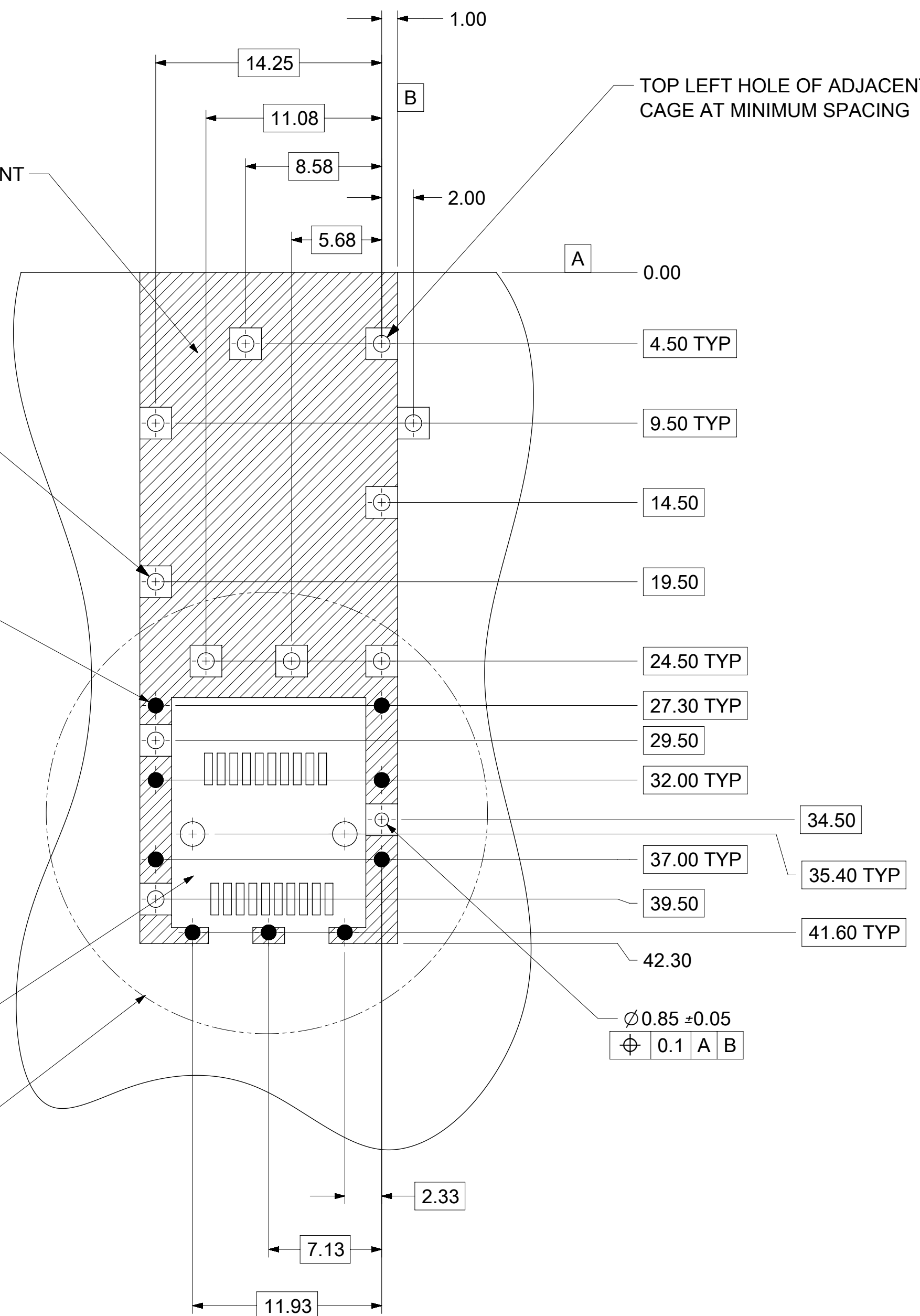
10X $\varnothing 1.05 \pm 0.05$
(SHOWN AS \oplus)
 $\oplus 0.1$ A B

9X $\varnothing 0.95 \pm 0.05$
(SHOWN AS \bullet)
 $\oplus 0.1$ A B

THIS AREA DENOTES COMPONENT KEEP-OUT (TRACES ALLOWED)

SEE DETAIL 1

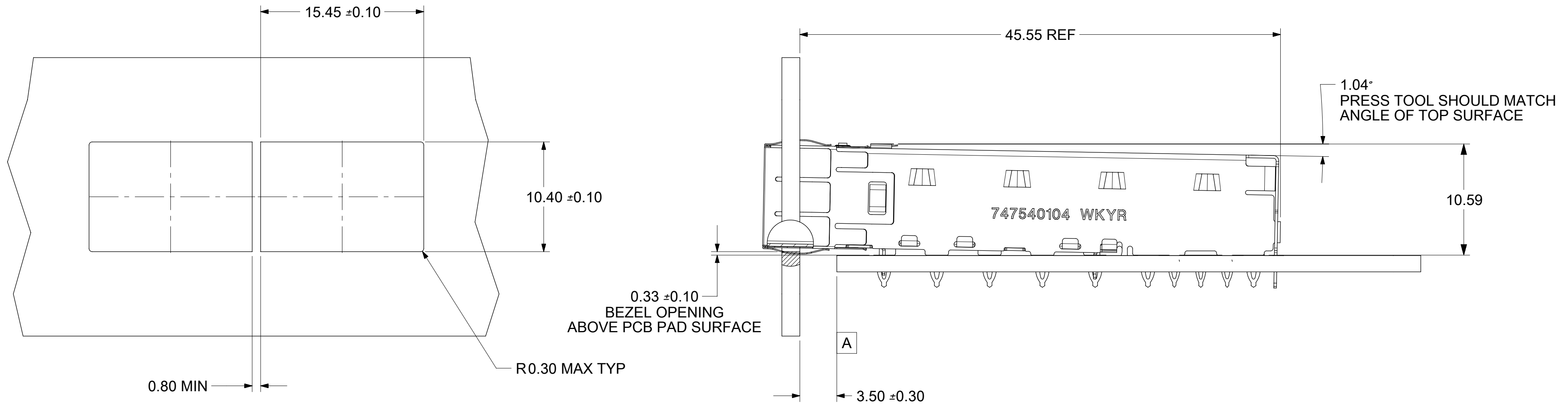
TOP LEFT HOLE OF ADJACENT CAGE AT MINIMUM SPACING



DETAIL 1
SCALE 10:1

THIS DRAWING CONTAINS INFORMATION THAT IS PROPRIETARY TO MOLEX ELECTRONIC TECHNOLOGIES, LLC AND SHOULD NOT BE USED WITHOUT WRITTEN PERMISSION												
SEE REVISION TABLE	EC NO:	114175	GENERAL TOLERANCES (UNLESS SPECIFIED)		DIMENSION UNITS	SCALE	molex					
	DRWN:	PGSHETTY	ANGULAR TOL $\pm 1.0^\circ$		MM	4:1						
	CHKD:	DSUN15	4 PLACES	\pm	DRWN BY	DATE	SFP+ 1X1 PCI CAGE WITH SPRING FINGERS PRESS FIT					
	REV:	APPR: RCHEN08	3 PLACES	\pm	PGSHETTY	2017/01/25						
	DRAFT WHERE APPLICABLE MUST REMAIN WITHIN DIMENSIONS		2 PLACES	± 0.15	CHKD BY	DATE	PRODUCT CUSTOMER DRAWING					
		1 PLACE	± 0.25	DSUN15	2017/03/13							
		0 PLACES	\pm	APPR BY	DATE	SERIES		MATERIAL NUMBER		CUSTOMER		
		DRAWING SIZE		THIRD ANGLE PROJECTION		74754		747540104				
		C				DOCUMENT NUMBER		747540104		DOC TYPE	DOC PART	SHEET NUMBER
						PSD		ASY		2 OF 4		

BEZEL AND BOARD POSITION DIMENSIONS FOR SINGLE SIDE MOUNTING (SPRING FINGER)



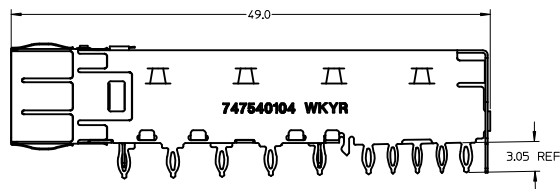
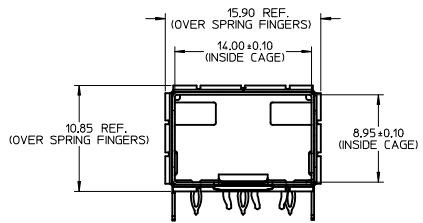
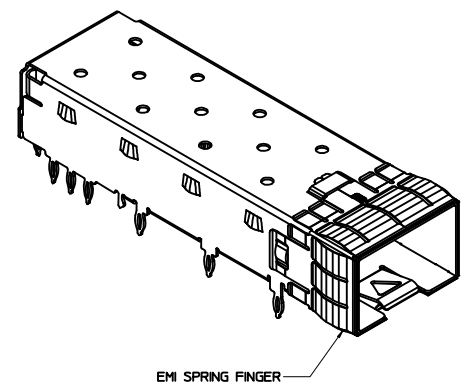
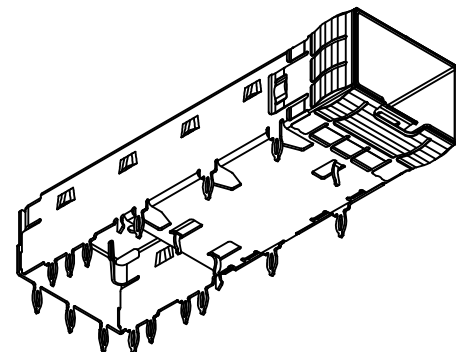
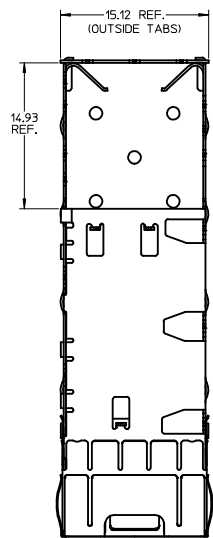
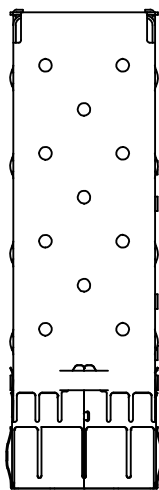
THIS DRAWING CONTAINS INFORMATION THAT IS PROPRIETARY TO MOLEX ELECTRONIC TECHNOLOGIES, LLC AND SHOULD NOT BE USED WITHOUT WRITTEN PERMISSION

SEE REVISION TABLE EC NO: 114175 DRWN: PGSHETTY CHKD: DSUN15 REV / APPR: RCHEN08	2017/01/25 2017/03/13 2017/04/06	GENERAL TOLERANCES (UNLESS SPECIFIED) ANGULAR TOL ± 1.0 °	DIMENSION UNITS MM	SCALE 3.5:1	<h2 style="margin: 0;">molex®</h2> <p style="margin: 5px 0;">SFP+ 1X1 PCI CAGE WITH SPRING FINGERS PRESS FIT</p>	
	4 PLACES ± 3 PLACES ± 2 PLACES ± 0.15 1 PLACE ± 0.25 0 PLACES ±	DRWN BY PGSHETTY	DATE 2017/01/25	CHKD BY DSUN15		DATE 2017/03/13
	DRAFT WHERE APPLICABLE MUST REMAIN WITHIN DIMENSIONS	APPR BY RCHEN08	DATE 2017/04/06	DRAWING SIZE C		THIRD ANGLE PROJECTION
	PRODUCT CUSTOMER DRAWING	SERIES 74754	MATERIAL NUMBER 747540104	CUSTOMER		DOCUMENT NUMBER 747540104
RELEASE STATUS P1	RELEASE DATE 06.04.2017	04:22:49	DOC TYPE PSD	DOC PART ASY	SHEET NUMBER 3 OF 4	

REV	DATE	DESCRIPTION
A	2007/05/23	INITIAL RELEASE
B	2008/03/26	REVISED
C	2013/07/22	REGENERATED ISO VIEW
D	2017/01/20	REMASTERED FROM "SD-74754-0104 REV_C" TO "747540104 PSD ASY REV_D" IN NX SHEET 1 : B7 : ADDED DATE CODE TABLE SHEET 3 : E8 : ADDED DIM R 0.30 MAX TYP

THIS DRAWING CONTAINS INFORMATION THAT IS PROPRIETARY TO MOLEX ELECTRONIC TECHNOLOGIES, LLC AND SHOULD NOT BE USED WITHOUT WRITTEN PERMISSION

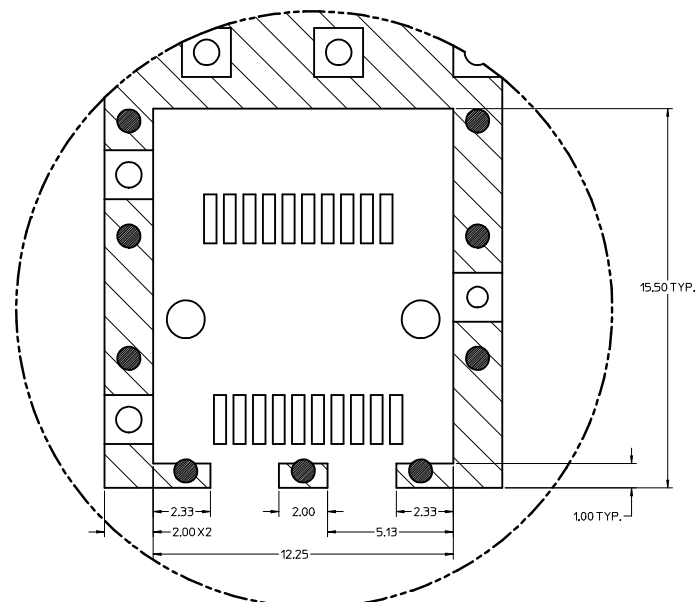
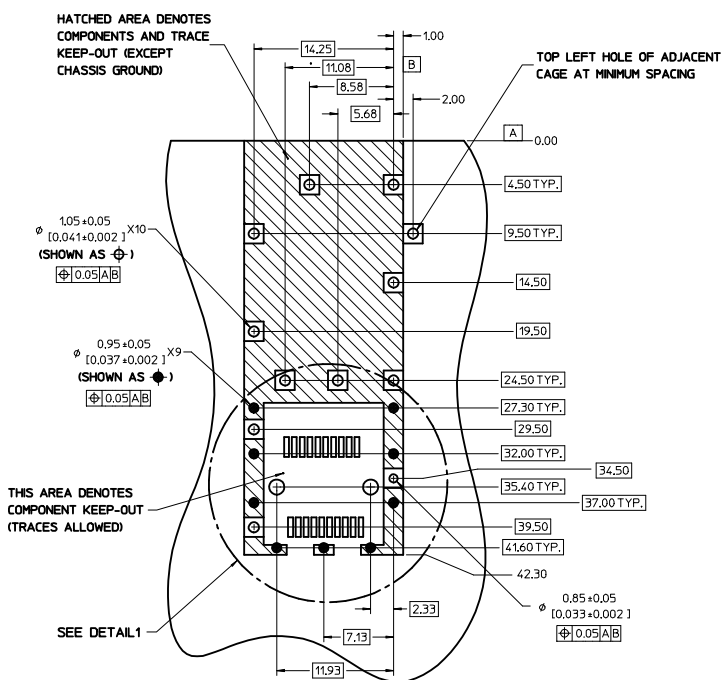
SEE REVISION TABLE	EC NO: 114175	2017/01/25	GENERAL TOLERANCES (UNLESS SPECIFIED)	DIMENSION UNITS	SCALE	molex SFP+ 1X1 PCI CAGE WITH SPRING FINGERS PRESS FIT		
	DRWN: PGSHETTY	2017/03/13		MM	1:1			
	CHKD: DSUN15	2017/04/06		ANGULAR TOL ± 1.0 °	DRWN BY		DATE	
	REV / APPR: RCHEN08			4 PLACES ±	PGSHETTY		2017/01/25	
				3 PLACES ±	CHKD BY		DATE	
				2 PLACES ± 0.15	DSUN15		2017/03/13	
		1 PLACE ± 0.25	APPR BY	DATE	PRODUCT CUSTOMER DRAWING			
		0 PLACES ±	RCHEN08	2017/04/06				
		DRAFT WHERE APPLICABLE MUST REMAIN WITHIN DIMENSIONS	DRAWING SIZE	THIRD ANGLE PROJECTION		SERIES	MATERIAL NUMBER	CUSTOMER
			C			74754	747540104	
					DOCUMENT NUMBER	DOC TYPE	DOC PART	SHEET NUMBER
					747540104	PSD	ASY	4 OF 4



- NOTES:**
- MATERIAL:**
 CAGE: NICKEL PLATED COPPER ALLOY, THICKNESS 0.25mm
 SPRING FINGER: NICKEL PLATED COPPER ALLOY, THICKNESS 0.10mm
 - PRESS FIT LEGS 3.05 LONG -
 1.57 MINIMUM PCB THICKNESS FOR SINGLE SIDED USE
 - PORTS ARE DESIGNED FOR SFP+ TRANSCEIVERS AND ARE BACKWARDS COMPATIBLE WITH SFP TRANSCEIVERS
 - NO RoHS EXEMPTIONS.

UPDATE ISO VIEW IEC NO: CPG2014-0215 DRAWNSYANG16 2013/07/22 CHKD: APPR:RTSAL 2013/07/22	QUALITY SYMBOLS	GENERAL TOLERANCES (UNLESS SPECIFIED)	DIMENSION STYLE	SCALE	DESIGN UNITS	THIRD ANGLE PROJECTION
	▽=0	4 PLACES ± mm ± INCH	MM ONLY	4:1	METRIC	
	▽=0	3 PLACES ± ± ± ±				
	▽=0	2 PLACES ± 0.15 ± ± ± ±				
		1 PLACE ± 0.25 ± ± ± ±				
		0 PLACE ± ± ± ±				
		ANGULAR ± 1 °				
		DRAFT WHERE APPLICABLE MUST REMAIN WITHIN DIMENSIONS				
			MATERIAL NO.	DOCUMENT NO.		SHEET NO.
			747540104	SD-74754-0104		1 OF 4
			THIS DRAWING CONTAINS INFORMATION THAT IS PROPRIETARY TO MOLEX INCORPORATED AND SHOULD NOT BE USED WITHOUT WRITTEN PERMISSION			

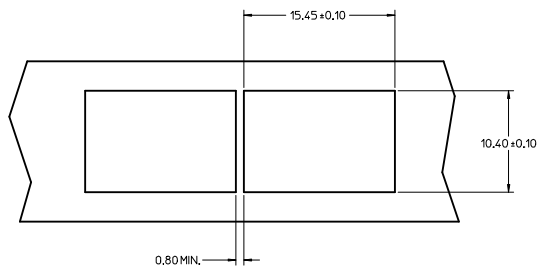
PCB LAYOUT FOR SINGLE SIDE MOUNT



DETAIL1
SCALE 10:1
HOST CONNECTOR DETAIL

UPDATE ISO VIEW EC NO: CPG2014-0215 DRAWN BY: CHYD APPR: RUSSELL 2013/07/22 2013/07/22	QUALITY SYMBOLS	GENERAL TOLERANCES (UNLESS SPECIFIED)	DIMENSION STYLE	SCALE	DESIGN UNITS	THIRD ANGLE PROJECTION
	▽=0	mm INCH	MM ONLY	4:1	METRIC	☉
	▽=0	4 PLACES ± --- ± ---	DRAWN BY: PSYTSMA	DATE: 2007/05/23	TITLE:	SFP+ 1X1 PCI CAGE WITH SPRING FINGERS PRESS FIT molex
	▽=0	3 PLACES ± --- ± ---	CHECKED BY: BRUSSELL	DATE: 2007/05/23	DOCUMENT NO. SD-74754-0104	
	2 PLACES ± 0.15 ± ---	APPROVED BY: BRUSSELL	DATE: 2007/05/23	MATERIAL NO. 747540104	SHEET NO. 2 OF 4	
	1 PLACE ± 0.25 ± ---	DRAFT WHERE APPLICABLE MUST REMAIN WITHIN DIMENSIONS	SIZE D	THIS DRAWING CONTAINS INFORMATION THAT IS PROPRIETARY TO MOLEX INCORPORATED AND SHOULD NOT BE USED WITHOUT WRITTEN PERMISSION		

BEZEL AND BOARD POSITION DIMENSIONS FOR SINGLE SIDE MOUNTING
(SPRING FINGER)



UPDATE ISO VIEW EC NO: CPG2014-0215 DRAWN BY: CHYK APPR: T. SAI 2013/07/22	QUALITY SYMBOLS ∇=0 ∇=0 ∇=0	GENERAL TOLERANCES (UNLESS SPECIFIED)		DIMENSION STYLE MM ONLY	SCALE 4:1	DESIGN UNITS METRIC	THIRD ANGLE PROJECTION
		4 PLACES ± --- ± --- 3 PLACES ± --- ± --- 2 PLACES ± 0.15 ± --- 1 PLACE ± 0.25 ± --- 0 PLACE ± ±	mm INCH ± --- ± --- ± --- ± --- ± --- ± --- ± --- ± --- ± --- ± ---	DRAWN BY PSYTSMA DATE 2007/05/23	CHECKED BY BRUSSELL DATE 2007/05/23	APPROVED BY BRUSSELL DATE 2007/05/23	MATERIAL NO. 747540104
DRAFT WHERE APPLICABLE MUST REMAIN WITHIN DIMENSIONS		THIS DRAWING CONTAINS INFORMATION THAT IS PROPRIETARY TO MOLEX INCORPORATED AND SHOULD NOT BE USED WITHOUT WRITTEN PERMISSION					

20 19 18 17 16 15 14 13 12 11 10 9 8 7 6 5 4 3 2 1

REV	DATE	DESCRIPTION
C	2013/07/22	REGENERATED ISO VIEW.

UPDATE ISO VIEW EC NO: CPG2014-0215 DRAWN BY: CHYK CHKD: APPR:RTSAL 2013/07/22 2013/07/22	QUALITY SYMBOLS $\nabla=0$ $\nabla=0$ $\nabla=0$	GENERAL TOLERANCES (UNLESS SPECIFIED)		DIMENSION STYLE MM ONLY	SCALE	DESIGN UNITS METRIC	THIRD ANGLE PROJECTION
		DRAFT WHERE APPLICABLE MUST REMAIN WITHIN DIMENSIONS		4 PLACES # --- # --- 3 PLACES # --- # --- 2 PLACES # 0.15 # --- 1 PLACE # 0.25 # --- 0 PLACE # #	MM ONLY		
ANGULAR $\pm 1^\circ$				MATERIAL NO.	DOCUMENT NO.		
				SIZE D	747540104	SD-74754-0104	
				THIS DRAWING CONTAINS INFORMATION THAT IS PROPRIETARY TO MOLEX INCORPORATED AND SHOULD NOT BE USED WITHOUT WRITTEN PERMISSION			
					SHEET NO. 4 OF 4		



19 18 17 16 15 14 13 12 11 10 9 8 7 6 5 4 3 2 1