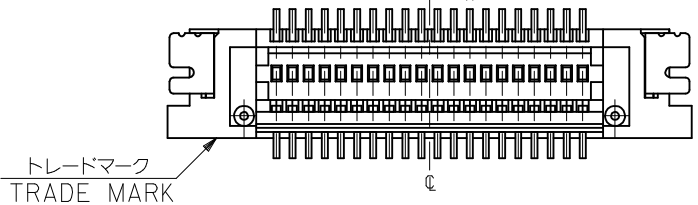
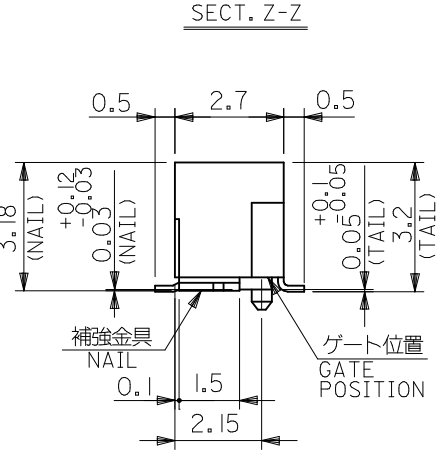
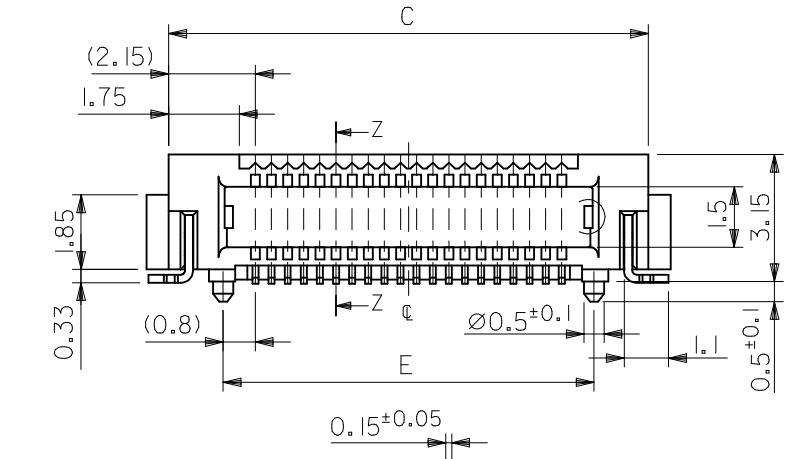


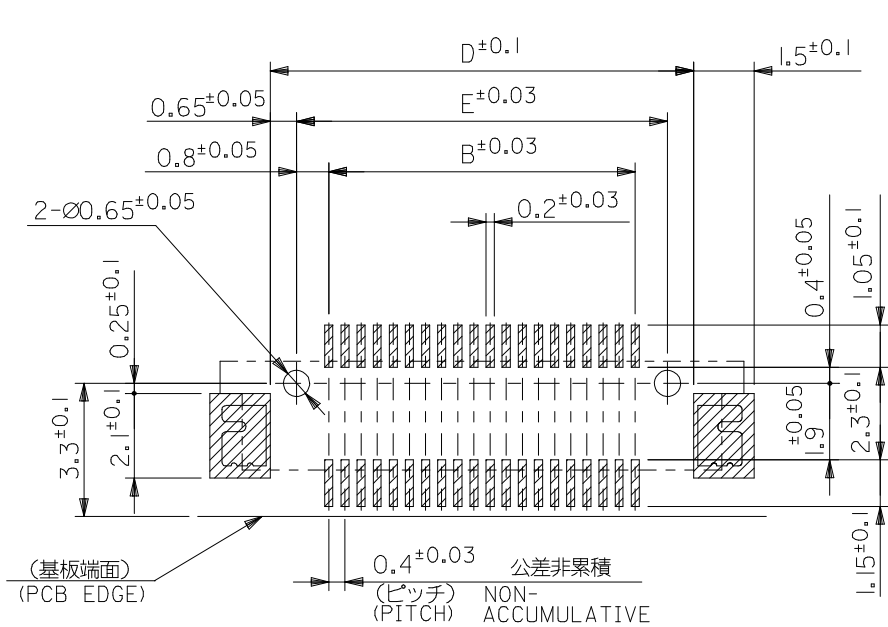
注記 NOTES

1. 使用材料 MATERIAL
 ウエハー: 液晶ポリマー ガラス充填 UL94V-0 茶色
 WAFER: LIQUID CRYSTAL POLYMER, GLASS FILLED, UL94V-0, COLOR BROWN
 ピン: リン青銅 (t=0.15)
 PIN: PHOSPHOR BRONZE (t=0.15)
 補強金具: リン青銅 (t=0.2)
 FITTING NAIL: PHOSPHOR BRONZE (t=0.2)
2. メッキ仕様 PLATING
 ピン PIN
 金メッキ (コンタクト部とテール部)
 GOLD PLATING (CONTACT AND TAIL AREA)
 下地メッキ: ニッケルメッキ
 UNDER PLATING: NICKEL
 補強金具 FITTING NAIL
 錫メッキ
 TIN PLATING
 下地メッキ: ニッケルメッキ
 UNDER PLATING: NICKEL
3. テール部に適用。
 APPLY TO THE TAIL AREA.
4. 嵌合相手: 5452 シリーズ
 MATE WITH: 5452 SERIES.
5. テール平坦度は、0.08 以下
 テール及び金具の平坦度は、0.1 以下
 TAIL COPLANARITY TO BE 0.08 MAXIMUM
 TAIL AND FITTING NAIL COPLANARITY TO BE 0.1 MAXIMUM
6. 本製品は 55394-***7 の鉛フリー品である。
 THIS PRODUCT IS LEAD FREE OF 55394-***7.

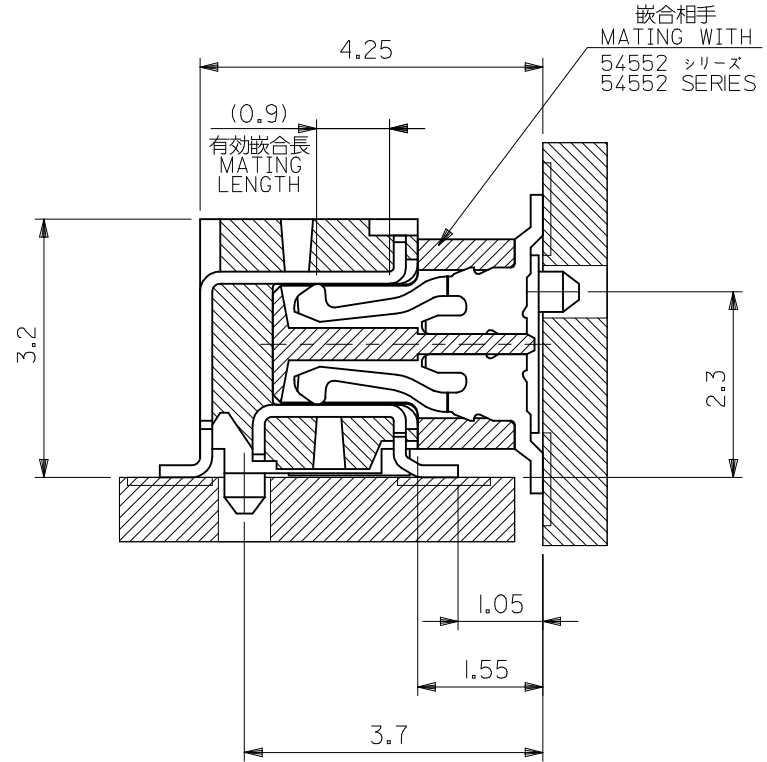


23.2	24.5	25.9	21.6	27	55394-1177	110
19.2	20.5	21.9	17.6	23	55394-0977	90
9.2	10.5	11.9	7.6	13	55394-0477	40
7.2	8.5	9.9	5.6	11	55394-0377	30
E	D	C	B	A	MATERIAL NO.	CIRCUITS

REVISED EC NO: J2010-0433 DRWN: TOSHIMA 2009/09/11 CHKD: SMARUYAMA 2009/09/11 APPR: MSASAO 2009/09/11	GENERAL TOLERANCES (UNLESS SPECIFIED)		DIMENSION STYLE MM ONLY	SCALE ---	MODEL NO. 55394-***7
	10 UNDER	±0.2	DRAWN BY M. NABEI	DATE '05/01/13	TITLE 0.4 B/B CONN. PLUG ASSY (RA) WITH NAIL -LEAD FREE-
	10 OVER 30 UNDER	±0.25	CHECKED BY KTOJO	DATE '05/01/13	MOLEX INCORPORATED
	30 OVER	±0.3	APPROVED BY N. UKITA	DATE '05/01/13	
DESCRIPTION	ANGULAR ±3 °	DRAFT WHERE APPLICABLE MUST REMAIN WITHIN DIMENSIONS	MATERIAL NO. SEE CHART	DOCUMENT NO. SD-55394-017	SHEET NO. 1 OF 2
REV	THIS DRAWING CONTAINS INFORMATION THAT IS PROPRIETARY TO MOLEX INCORPORATED AND SHOULD NOT BE USED WITHOUT WRITTEN PERMISSION				



参考基板レイアウト (マウント面)
RECOMMENDED P.C.BOARD
PATTERN DIMENSION (REFERENCE)
(MOUNTING AREA)



嵌合断面図 (参考)
MATED DRAWING (REFERENCE)

REVISED EC NO: J2010-0433 DRWN: TOSHIMA 2009/09/11 CHKD: SMARUYAMA 2009/09/11 APPR: MSASAO 2009/09/11	GENERAL TOLERANCES (UNLESS SPECIFIED)		DIMENSION STYLE MM ONLY	SCALE ---	55394-**-77	MODEL NO.
	10 UNDER ±0.2		DRAWN BY M. NABEI	DATE '05/01/13	DESIGN UNITS METRIC	THIRD ANGLE PROJECTION
	10 OVER 30 UNDER ±0.25		CHECKED BY K. TOJO	DATE '05/01/13	0.4 B/B CONN PLUG ASSY (RA) WITH NAIL -LEAD FREE- MOLEX INCORPORATED	
	30 OVER ±0.3		APPROVED BY N. UKITA	DATE '05/01/13		
DESCRIPTION	ANGULAR ±3 °	DRAFT WHERE APPLICABLE MUST REMAIN WITHIN DIMENSIONS	MATERIAL NO. SEE CHART	DOCUMENT NO. SD-55394-017	SHEET NO. 2 OF 2	
REV			SIZE A3	THIS DRAWING CONTAINS INFORMATION THAT IS PROPRIETARY TO MOLEX INCORPORATED AND SHOULD NOT BE USED WITHOUT WRITTEN PERMISSION		