

Microsemi Corporation

September 17, 2015

Product/Process Change Notification No: PCN1503

Change Classification: Major

Subject: IMPORTANT changes to SmartFusion[®]2 and IGLOO[®]2 Static Power, Timing in Libero[®] SoC v11.6, and M2S060(T/TS)/M2GL060(T/TS) FCS325 pin mapping update

Summary of Changes:

This is to notify Microsemi[®] customers about several changes related to SmartFusion2 and IGLOO2 timing and power attributes introduced in the Libero SoC v11.6 software. Microsemi requires the installation and the use of the Libero SoC v11.6 software release to revisit the timing analysis, power estimation, and back-annotated simulation of their designs. In the future, only Libero SoC v11.6 or later releases must be used for designs targeting SmartFusion2 and IGLOO2 devices.

Table 1 PCN Summary Table

Change	Affected Devices	Effective Date	Required Action
Static power increase	All SmartFusion2 and IGLOO2 devices listed in Appendix A	Silicon - 90 day notification	Re-analyze power
		Software – Effective immediately with Libero SoC v11.6	
MDDR and FDDR timing		Effective immediately with Libero SoC v11.6	Re-analyze timing
MSS/HPMS timing			
Global routing			
Minimum LUT4 delay			
Timing update for long routing resources			
CCC bypass PLL delay	All SmartFusion2 and IGLOO2 devices listed in Appendix B	Re-compile design	
M2S/M2GL060 – FCS325 device pin mapping	All SmartFusion2 and IGLOO2 devices listed in Appendix C		

Table of Contents

List of Tables	3
List of Figures	4
Static Power Increase	5
MDDR and FDDR Timing	7
A.MDDR and FDDR Timing	7
B.MDDR Fabric Timing	7
MSS and HPMS Fabric Interface Timing	8
Global Routing Delay	8
A.SERDESIF EPCS Global Routing Delay	8
B.Data Routing on Global Routing Delay	9
LUT4 Minimum Delay	10
Timing Data Update for Long Routing Resources	10
CCC Bypass PLL Delay	10
M2S060(T/TS)/M2GL060(T/TS) Device Pin Mapping	12
Appendix A: All SmartFusion2 and IGLOO2 Devices	13
Appendix B: SmartFusion2 and IGLOO2 Devices of 005, 010, 025, 050 Densities	21
Appendix C: SmartFusion2 and IGLOO2 060 FCS(G)325 Devices	26

List of Tables

Table 1	PCN Summary Table.....	1
Table 2	Typical Process Static Current Change (1.2 V, 25 C).....	5
Table 3	Typical Worst-Case Process Static Current Change (1.2 V, COM, 85 C)	5
Table 4	Worst-Case Process Static Current Change (1.26 V, COM, 85 C).....	5
Table 5	Typical Worst-Case Process Static Current Change (1.2 V, IND, 100 C).....	6
Table 6	Worst-Case Process Static Current Change (1.26 V, IND, 100 C).....	6
Table 7	Typical Worst-Case Process Static Current Change (1.2 V, MIL, 125 C).....	6
Table 8	Worst-Case Process Static Current Change (1.26 V, MIL, 125 C).....	6
Table 9	MSS and HPMS Fabric Timing Changes.....	8
Table 10	CCC Connections Timing Impact	10
Table 11	M2S/M2GL060(T/TS)-FCS(G)325 Pins Incorrectly Mapped.....	12

List of Figures

Figure 1 Example Compile Report.....	9
Figure 2 Three Examples of CCC Advanced Configuration without PLL.....	11

Static Power Increase

Change

SmartFusion2 and IGLOO2 devices have a slight increase to core static power.

Application Impact

This impacts all SmartFusion2 and IGLOO2 devices (Appendix A). Static power is represented in the datasheet as two modes—Stand by and Flash*Freeze (F*F). Table 2 through Table 8 provides the increased typical and worst-case static supply current.

Table 2 Typical Process Static Current Change (1.2 V, 25 C)

Device (M2S and M2GL Families)	Non-F*F Current		F*F Current	
	Existing	New	Existing	New
5	5.4 mA	6.2 mA	1.6 mA	1.4 mA
10	6.6 mA	6.9 mA	2.2 mA	2.6 mA
25	8.6 mA	8.9 mA	2.8 mA	3.7 mA
50	11.4 mA	13.1 mA	3.2 mA	5.1 mA
90	15 mA	15.4 mA	4.2 mA	5.1 mA
150	21.7 mA	27.5 mA	5.2 mA	8.9 mA

Table 3 Typical Worst-Case Process Static Current Change (1.2 V, COM, 85 C)

Device (M2S and M2GL Families)	Non-F*F Current		F*F Current	
	Existing	New	Existing	New
5	17.4 mA	24.0 mA	10.8 mA	12.0 mA
10	25.0 mA	28.4 mA	15.2 mA	20.0 mA
25	36.4 mA	40.6 mA	19.6 mA	26.6 mA
50	52.3 mA	67.8 mA	21.8 mA	35.3 mA
90	72.8 mA	81.4 mA	29.0 mA	35.7 mA
150	112.2 mA	144.7 mA	35.6 mA	57.8 mA

Table 4 Worst-Case Process Static Current Change (1.26 V, COM, 85 C)

Device (M2S and M2GL Families)	Non-F*F Current		F*F Current	
	Existing	New	Existing	New
5	32.2 mA	43.8 mA	21.5 mA	29.1 mA
10	47.2 mA	57.0 mA	30.3 mA	45.6 mA
25	69.7 mA	84.6 mA	39.1 mA	51.7 mA
50	101.0 mA	132.3 mA	43.6 mA	62.7 mA
90	141.5 mA	163.0 mA	58.0 mA	70.0 mA
150	219.2 mA	242.5 mA	71.1 mA	84.8 mA

Table 5 Typical Worst-Case Process Static Current Change (1.2 V, IND, 100 C)

Device (M2S and M2GL Families)	Non-F*F Current		F*F Current	
	Existing	New	Existing	New
5	25.1 mA	35.2 mA	16.6 mA	18.5 mA
10	36.6 mA	41.9 mA	23.4 mA	30.8 mA
25	54.0 mA	60.5 mA	30.1 mA	41.0 mA
50	78.1 mA	102.1 mA	33.6 mA	54.5 mA
90	109.4 mA	122.6 mA	44.7 mA	55.0 mA
150	169.4 mA	219.1 mA	54.8 mA	89.0 mA

Table 6 Worst-Case Process Static Current Change (1.26 V, IND, 100 C)

Device (M2S and M2GL Families)	Non-F*F Current		F*F Current	
	Existing	New	Existing	New
5	47.5 mA	65.3 mA	33.2 mA	44.9 mA
10	70.4 mA	85.7 mA	46.7 mA	70.3 mA
25	104.9 mA	127.8 mA	60.2 mA	79.7 mA
50	152.6 mA	200.9 mA	67.1 mA	96.5 mA
90	214.6 mA	247.8 mA	89.3 mA	107.8 mA
150	333.6 mA	369.0 mA	109.6 mA	130.6 mA

Table 7 Typical Worst-Case Process Static Current Change (1.2 V, MIL, 125 C)

Device (M2S and M2GL Families)	Non-F*F Current		F*F Current	
	Existing	New	Existing	New
10	63.4 mA	73 mA	42.3 mA	55.6 mA
25	94.6 mA	106.4 mA	54.5 mA	74.2 mA
50	137.7 mA	180.9 mA	60.7 mA	98.5 mA
90	193.7 mA	217.5 mA	80.8 mA	99.5 mA
150	301.2 mA	390.5 mA	99.2 mA	161 mA

Table 8 Worst-Case Process Static Current Change (1.26 V, MIL, 125 C)

Device (M2S and M2GL Families)	Non-F*F Current		F*F Current	
	Existing	New	Existing	New
10	124 mA	151.5 mA	84.5 mA	127.2 mA
25	186 mA	227.4 mA	180.9 mA	144.2 mA
50	271.6 mA	358.9 mA	121.4 mA	174.6 mA
90	383.1 mA	443.1 mA	161.6 mA	195 mA
150	597.2 mA	660.4 mA	198.3 mA	236.3 mA

All other conditions can be reported using the Power Estimator and SmartPower.

Action Required

The Libero SoC v11.6 SmartPower includes the updated static power numbers. The SmartFusion2 and IGLOO2 Power Estimator spreadsheet also includes the change in static power numbers. It is recommended to re-run SmartPower and use the new Power Estimator to identify the total change in power.

Production Shipment Schedule

- First ship date: 90 days from the date of this PCN, that is, December 15th 2015
- Datasheet Update date: September 17th 2015

MDDR and FDDR Timing

Change

A and B items apply to the MDDR and FDDR fabric interfaces. These changes apply to all SmartFusion2 and IGLOO2 devices as listed in [Appendix A](#).

A. MDDR and FDDR Timing

Change

For designs using the MDDR or FDDR with AXI interface, there is a timing change in Libero SoC v11.6. This AXI timing change only impacts the interface when the MDDR_CLK/FDDR_CLK to DDR_FIC clock (DDR Fabric Interface clock) ratio is not 1:1.

Application Impact

The DDR AXI timing change increases the setup time requirement on the AXI signals into the DDR_FIC. While opening a Libero SoC v11.5 SP3 or earlier version projects containing the MDDR or FDDR with AXI interface, the Libero SoC v11.6 software resets the project status to the pre-compile state.

Action Required

To accurately perform timing analysis on the MDDR or FDDR AXI interface, users need to:

1. Open the project in Libero SoC v11.6
2. Open the SystemBuilder configurator (this will update the MDDR component)
3. Regenerate the FDDR (if used)

Once the first step is performed, users need to run static timing analysis. If timing closure is not achieved, refer to the “Timing Optimization Technique for AXI” section in the [SmartFusion2 SoC FPGA High Speed DDR Interfaces User Guide](#) and [IGLOO2 FPGA High Speed DDR Interfaces User Guide](#) for timing optimization techniques.

B. MDDR Fabric Timing

Change

For designs using the MDDR, there is a fabric timing change under the following conditions:

- IGLOO2: HPMS_CLK = MDDR_CLK
- SmartFusion2: M3_CLK = MDDR_CLK

This timing change has an impact only while using the LPDDR or DDR2 memory type with their lower clock rate devices. It does not apply for DDR3 memory interfaces.

This fabric timing change applies to both the AXI and AHBL DDR_FIC protocol as well as for all DDR_FIC clock ratios.

Application Impact

Current LPDDR or DDR2 interface designs using the MDDR may have timing violations due to incorrect timing arcs.

Action Required

If the MDDR is used for LPDDR or DDR2, it is recommended to re-run SmartTime timing analysis using Libero SoC v11.6.

MSS and HPMS Fabric Interface Timing

Change

The SmartFusion2 microcontroller subsystem (MSS) and the IGLOO2 high-performance memory subsystem (HPMS) contain peripherals that have ports connected to the FPGA fabric. In Libero SoC v11.6, new timing arcs are added to several of these interfaces. [Table 9](#) shows the timing changes to these fabric interfaces.

Table 9 MSS and HPMS Fabric Timing Changes

Fabric Interface	Timing Change	Affected Devices
MSS MAC TBI and MDIO	Addition of setup, hold, and clock-to-out arcs	All SmartFusion2 devices (Appendix A)
MSS USB UTMI	Addition of setup, hold, and clock-to-out arcs	
MSS I2C Fabric Ports	Addition of setup, hold, and clock-to-out arcs	
MSS SPI Fabric Ports	Addition of setup, hold, and clock-to-out arcs	
MSS FIC_0 and FIC_1 Slave Ports	Addition of setup and hold arcs	
MSS SMC_FIC AHB Master Port	Addition of setup, hold, and clock-to-out arcs	
MSS FIC_2 APB Master Port	Addition of setup, hold, and clock-to-out arcs	
HPMS SPI Fabric Ports	Addition of setup, hold, and clock-to-out arcs	All IGLOO2 devices (Appendix A)
HPMS FIC_0 and FIC_1 Slave Ports	Addition of setup and hold arcs	
HPMS SMC_FIC AHB Master Port	Addition of setup, hold, and clock-to-out arcs	
MSS FIC_2 APB Master Port	Addition of setup, hold, and clock-to-out arcs	

Application Impact

Designs using any of the peripherals listed in [Table 9](#) may have timing violations due to missing timing arcs in previous releases of Libero SoC.

Action Required:

Designs using any of the peripherals listed in [Table 9](#), need to be re-analyzed using the Libero SoC v11.6 static timing analysis tool.

Global Routing Delay

A and B items apply to Global (both chip-level and row-level) routing resources that are typically used for clocks, but can also be used for high fanout nets such as reset or enable signals. Users can also assign nets to global routing using the CLKINT and RCLKINT macros.

A. SERDESIF EPCS Global Routing Delay

Change

The SERDESIF EPCS sources a transmit clock and a receive clock from the SERDESIF to the fabric. The Libero SoC v11.6 timing analysis tool updates the hold time on the EPCS interface with respect to these clocks. This is applicable to all SmartFusion2 and IGLOO2 devices and speed grades ([Appendix A](#)).

Application Impact

The timing change in Libero SoC v11.6 provides accurate timing for the SERDESIF EPCS connectivity. With this change, SmartTime may report hold time violations in the design. If the customer design had enough hold time margin with a previous Libero SoC release, there must not be any impact.

Action Required

It is recommended for SERDESIF EPCS interface users to re-run SmartTime timing analysis in Libero SoC v11.6. If timing violations are found, a description on how to implement the proper SERDESIF EPCS interface to achieve timing closure and solve these violations is provided in "Chapter 4: EPCS Interface, Designing Considerations" section of [IGLOO2 and SmartFusion2 High Speed Serial Interfaces User Guide](#).

B. Data Routing on Global Routing Delay

Change

Libero SoC v11.6 contains a timing change for data signals that are routed on-chip Globals or RGBs. This change is applicable to all SmartFusion2 and IGLOO2 devices as listed in [Appendix A](#). To identify if a design is using RGB macros for data routing, the Libero SoC Compile Report (<top_level>_compile.rpt) includes a section that identifies nets mapped to these RGB resources. [Figure 1](#) shows an example of a Compile Report for these sections.

Nets assigned to chip global resources

Fanout	Type	Name
4281	INT_NET	Net : reset_n_c Driver: reset_n_ibuf_RNIJDH3/U0_RGB1 Source: NETLIST
2212	INT_NET	Net : xgmii_rx_clk_c Driver: xgmii_rx_clk_ibuf_RNI7047/U0_RGB1 Source: NETLIST
1237	INT_NET	Net : xgmii_tx_clk_c Driver: xgmii_tx_clk_ibuf_RNIDN28/U0_RGB1 Source: NETLIST
610	INT_NET	Net : host_clk_c Driver: host_clk_ibuf_RNIM5V3/U0_RGB1 Source: NETLIST
385	INT_NET	Net : user_clk_c Driver: user_clk_ibuf_RNIJR/U0_RGB1 Source: NETLIST
18	INT_NET	Net : xgmac_inst_xgmac_tx_xgmac_tx_buffer_reset_delay_0_9_ Driver: xgmac_inst_xgmac_tx_xgmac_tx_buffer_reset_delay_RNII063_9_/U0_RGB1 Source: NETLIST

Figure 1 Example Compile Report

This compile report must be reviewed to identify whether or not nets that are not clocks are routed on Globals or RGBs.

Application Impact

The delay change increases the insertion delay of these nets by 400 ps or less.

Action Required

If data signals are identified to be routed through Globals or RGB macros, it is recommended to re-run SmartTime timing analysis using Libero SoC v11.6 to identify the impact of the change described above.

LUT4 Minimum Delay

Change

Libero SoC v11.6 includes a LUT4 minimum delay change. The minimum delay is the best case delay and is used for hold time analysis or minimum clock to out analysis. This applies to all SmartFusion2 and IGLOO2 devices and speed grades ([Appendix A](#)).

Application Impact

The changes in the minimum delay are different for each path through the LUT4 element. None of the changes are larger than 20 ps. Due to the less amount of change, it is very unlikely that this change will impact any designs. However, it is highly recommended to re-run the timing analysis using Libero SoC v11.6 for minimum delay analysis.

Action Required

It is recommended to re-run SmartTime timing analysis using Libero SoC v11.6.

Timing Data Update for Long Routing Resources

Change

Libero SoC v11.6 includes a delay change for some long routing resources for devices listed in [Appendix A](#).

Application Impact

The change in delay can range from “-0.05%” in the 005 device density to “-3.04%” for the 150 device density.

Action Required

Users must re-run SmartTime timing analysis using Libero SoC v11.6.

CCC Bypass PLL Delay

Change

When the clock conditioning circuit (CCC) is configured in PLL bypass mode, the output ports of Y and GL are directly connected to input ports of the CCC. In this mode, the delay from input to output has been updated in Libero SoC v11.6, based on silicon characterization data.

[Table 10](#) shows the connections impacted by the timing changes. The changes are applicable only to the SmartFusion2 and IGLOO2 005, 010, 025, and 050 devices as listed in [Appendix B](#).

Table 10 CCC Connections Timing Impact

Source Signal	Output Port	Magnitude Impact (Approximately)
PLL	Y or GL	No impact
Oscillators	Y or GL	No impact
Fabric Input	Y	-700ps
Fabric Input	GL	+360ps
Dedicated Input	Y	-700ps
Dedicated Input	GL	No impact

Figure 2 shows example paths through CCC. The sources highlighted in red are paths that are impacted by the timing change. The path highlighted in green is not impacted. This is only an example to illustrate how to identify the paths in the CCC configurator.

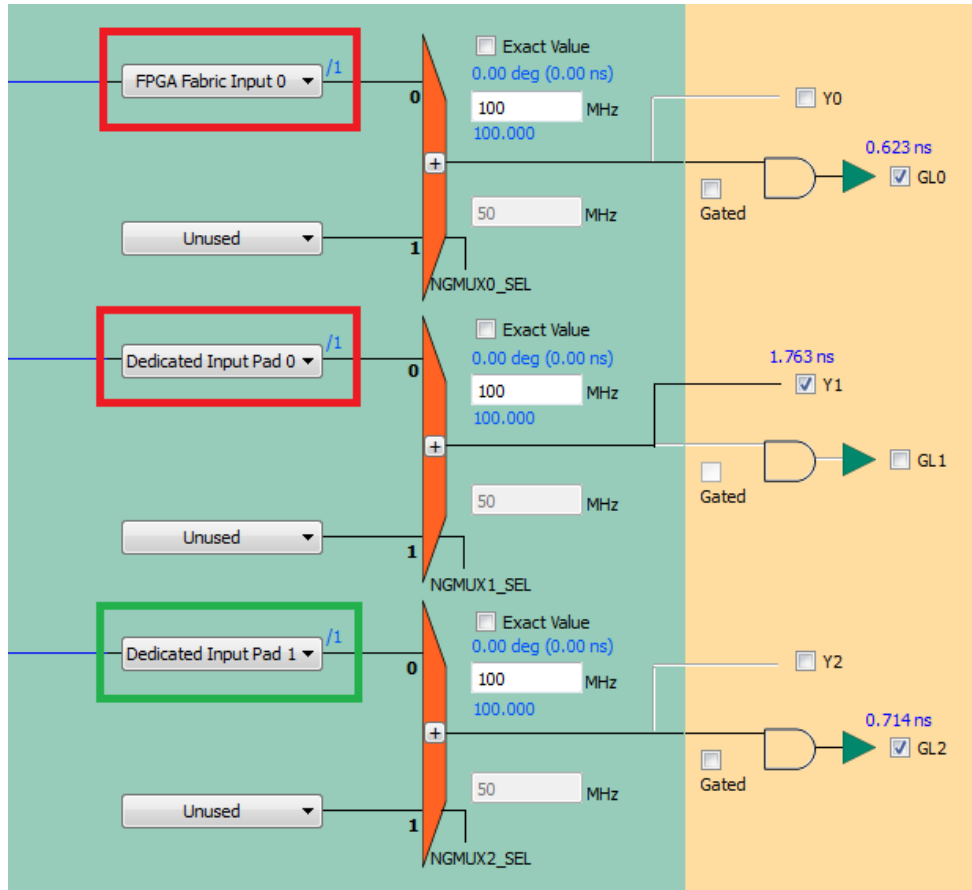


Figure 2 Three Examples of CCC Advanced Configuration without PLL

Application Impact

Table 10 shows the impact of the delay change for each path. These paths are available only through the Advanced tab of the CCC configurator and are not typically used.

Action Required

If any of the impacted CCC paths are used in a design, it is recommended to re-run SmartTime timing analysis using Libero SoC v11.6.

M2S060(T/TS)/M2GL060(T/TS) Device Pin Mapping

Change

Libero SoC contains a mapping of the internal device pins to the external package pins. In the earlier versions of Libero SoC, six of the device pins are incorrectly mapped to the M2S060(T/TS)/M2GL060(T/TS)-FCS(G)325 device. The correct pin mapping is provided in the Libero SoC v11.6 software release.

Application Impact

The M2S060(T/TS)/M2GL060(T/TS)-FCS(G)325 package pinout (PAT) is correct and this change does not impact existing board designs. The Libero SoC v11.5 bitstream is incorrect for the pins listed in [Table 11](#). This change also impacts the generated BSDL file from Libero SoC. [Table 11](#) shows the pins which are incorrectly mapped.

Table 11 M2S/M2GL060(T/TS)-FCS(G)325 Pins Incorrectly Mapped

Package Pin	Pin Name	Bank
F18	MSIO118PB9	9
G17	MSIO118NB9	9
G18	MSIO132NB9	9
H17	MSIO132PB9	9
J17	MSIO135PB9	9
J18	MSIO135NB9	9

While opening a Libero SoC design for the M2S060(T/TS)/M2GL060(T/TS)-FCS(G)325 in Libero SoC v11.6, the project will be reset back to the pre-compile state since the current placed and routed design is invalid.

Action Required

Users need to re-run through Compile and Place-and-Route using Libero SoC v11.6.

Contact Information

For further clarifications or questions, contact Microsemi's Technical Support at: soc_tech@microsemi.com

Regards,

Microsemi Corporation

Any projected dates in this PCN are based on the most current product information at the time this PCN is being issued, but they may change due to unforeseen circumstances. For the latest schedule and any other information, contact your local Microsemi Sales Office, the factory contact shown above, or your local distributor.

This Product/Process Change Notification is confidential and proprietary information of Microsemi and is intended only for distribution by Microsemi to its customers, for customers' use only. It must not be copied or provided to any third party without Microsemi's prior written consent.

Appendix A: All SmartFusion2 and IGLOO2 Devices

SmartFusion2 Devices		IGLOO2 Devices	
Leaded Parts	Lead-Free Parts	Leaded Parts	Lead-Free Parts
M2S005-TQ144	M2S005-TQG144	M2GL005-TQ144	M2GL005-TQG144
M2S010-TQ144	M2S010-TQG144	M2GL010-TQ144	M2GL010-TQG144
M2S010S-TQ144	M2S010S-TQG144	M2GL010S-TQ144	M2GL010S-TQG144
M2S005-VF256	M2S005-VFG256	M2GL005-VF256	M2GL005-VFG256
M2S010-VF256	M2S010-VFG256	M2GL010-VF256	M2GL010-VFG256
M2S025-VF256	M2S025-VFG256	M2GL025-VF256	M2GL025-VFG256
M2S025-FCS325	M2S025-FCSG325	M2GL025-FCS325	M2GL025-FCSG325
M2S050-FCS325	M2S050-FCSG325	M2GL050-FCS325	M2GL050-FCSG325
M2S060-FCS325	M2S060-FCSG325	M2GL060-FCS325	M2GL060-FCSG325
M2S090-FCS325	M2S090-FCSG325	M2GL090-FCS325	M2GL090-FCSG325
M2S005-VF400	M2S005-VFG400	M2GL005-VF400	M2GL005-VFG400
M2S010-VF400	M2S010-VFG400	M2GL010-VF400	M2GL010-VFG400
M2S025-VF400	M2S025-VFG400	M2GL025-VF400	M2GL025-VFG400
M2S050-VF400	M2S050-VFG400	M2GL050-VF400	M2GL050-VFG400
M2S060-VF400	M2S060-VFG400	M2GL060-VF400	M2GL060-VFG400
M2S150-FCV484	M2S150-FCVG484	M2GL150-FCV484	M2GL150-FCVG484
M2S005-FG484	M2S005-FGG484	M2GL005-FG484	M2GL005-FGG484
M2S010-FG484	M2S010-FGG484	M2GL010-FG484	M2GL010-FGG484
M2S025-FG484	M2S025-FGG484	M2GL025-FG484	M2GL025-FGG484
M2S050-FG484	M2S050-FGG484	M2GL050-FG484	M2GL050-FGG484
M2S060-FG484	M2S060-FGG484	M2GL060-FG484	M2GL060-FGG484
M2S090-FG484	M2S090-FGG484	M2GL090-FG484	M2GL090-FGG484
M2S150-FCS536	M2S150-FCSG536	M2GL150-FCS536	M2GL150-FCSG536
M2S060-FG676	M2S060-FGG676	M2GL060-FG676	M2GL060-FGG676
M2S090-FG676	M2S090-FGG676	M2GL090-FG676	M2GL090-FGG676
M2S050-FG896	M2S050-FGG896	M2GL050-FG896	M2GL050-FGG896
M2S150-FC1152	M2S150-FCG1152	M2GL150-FC1152	M2GL150-FCG1152
M2S010T-VF256	M2S010T-VFG256	M2GL010T-VF256	M2GL010T-VFG256
M2S025T-VF256	M2S025T-VFG256	M2GL025T-VF256	M2GL025T-VFG256
M2S025T-FCS325	M2S025T-FCSG325	M2GL025T-FCS325	M2GL025T-FCSG325
M2S050T-FCS325	M2S050T-FCSG325	M2GL050T-FCS325	M2GL050T-FCSG325
M2S060T-FCS325	M2S060T-FCSG325	M2GL060T-FCS325	M2GL060T-FCSG325
M2S090T-FCS325	M2S090T-FCSG325	M2GL090T-FCS325	M2GL090T-FCSG325
M2S010T-VF400	M2S010T-VFG400	M2GL010T-VF400	M2GL010T-VFG400
M2S025T-VF400	M2S025T-VFG400	M2GL025T-VF400	M2GL025T-VFG400
M2S050T-VF400	M2S050T-VFG400	M2GL050T-VF400	M2GL050T-VFG400
M2S060T-VF400	M2S060T-VFG400	M2GL060T-VF400	M2GL060T-VFG400
M2S150T-FCV484	M2S150T-FCVG484	M2GL150T-FCV484	M2GL150T-FCVG484
M2S010T-FG484	M2S010T-FGG484	M2GL010T-FG484	M2GL010T-FGG484

SmartFusion2 Devices		IGLOO2 Devices	
Leaded Parts	Lead-Free Parts	Leaded Parts	Lead-Free Parts
M2S025T-FG484	M2S025T-FGG484	M2GL025T-FG484	M2GL025T-FGG484
M2S050T-FG484	M2S050T-FGG484	M2GL050T-FG484	M2GL050T-FGG484
M2S060T-FG484	M2S060T-FGG484	M2GL060T-FG484	M2GL060T-FGG484
M2S090T-FG484	M2S090T-FGG484	M2GL090T-FG484	M2GL090T-FGG484
M2S150T-FCS536	M2S150T-FCSG536	M2GL150T-FCS536	M2GL150T-FCSG536
M2S060T-FG676	M2S060T-FGG676	M2GL060T-FG676	M2GL060T-FGG676
M2S090T-FG676	M2S090T-FGG676	M2GL090T-FG676	M2GL090T-FGG676
M2S050T-FG896	M2S050T-FGG896	M2GL050T-FG896	M2GL050T-FGG896
M2S150T-FC1152	M2S150T-FCG1152	M2GL150T-FC1152	M2GL150T-FCG1152
M2S005S-TQ144	M2S005S-TQG144	M2GL005S-TQ144	M2GL005S-TQG144
M2S005S-VF256	M2S005S-VFG256	M2GL005S-VF256	M2GL005S-VFG256
M2S005S-VF400	M2S005S-VFG400	M2GL005S-VF400	M2GL005S-VFG400
M2S005S-FG484	M2S005S-FGG484	M2GL005S-FG484	M2GL005S-FGG484
M2S010TS-VF256	M2S010TS-VFG256	M2GL010TS-VF256	M2GL010TS-VFG256
M2S025TS-VF256	M2S025TS-VFG256	M2GL025TS-VF256	M2GL025TS-VFG256
M2S025TS-FCS325	M2S025TS-FCSG325	M2GL025TS-FCS325	M2GL025TS-FCSG325
M2S050TS-FCS325	M2S050TS-FCSG325	M2GL050TS-FCS325	M2GL050TS-FCSG325
M2S060TS-FCS325	M2S060TS-FCSG325	M2GL060TS-FCS325	M2GL060TS-FCSG325
M2S090TS-FCS325	M2S090TS-FCSG325	M2GL090TS-FCS325	M2GL090TS-FCSG325
M2S010TS-VF400	M2S010TS-VFG400	M2GL010TS-VF400	M2GL010TS-VFG400
M2S025TS-VF400	M2S025TS-VFG400	M2GL025TS-VF400	M2GL025TS-VFG400
M2S050TS-VF400	M2S050TS-VFG400	M2GL050TS-VF400	M2GL050TS-VFG400
M2S060TS-VF400	M2S060TS-VFG400	M2GL060TS-VF400	M2GL060TS-VFG400
M2S150TS-FCV484	M2S150TS-FCVG484	M2GL150TS-FCV484	M2GL150TS-FCVG484
M2S010TS-FG484	M2S010TS-FGG484	M2GL010TS-FG484	M2GL010TS-FGG484
M2S025TS-FG484	M2S025TS-FGG484	M2GL025TS-FG484	M2GL025TS-FGG484
M2S050TS-FG484	M2S050TS-FGG484	M2GL050TS-FG484	M2GL050TS-FGG484
M2S060TS-FG484	M2S060TS-FGG484	M2GL060TS-FG484	M2GL060TS-FGG484
M2S090TS-FG484	M2S090TS-FGG484	M2GL090TS-FG484	M2GL090TS-FGG484
M2S150TS-FCS536	M2S150TS-FCSG536	M2GL150TS-FCS536	M2GL150TS-FCSG536
M2S060TS-FG676	M2S060TS-FGG676	M2GL060TS-FG676	M2GL060TS-FGG676
M2S090TS-FG676	M2S090TS-FGG676	M2GL090TS-FG676	M2GL090TS-FGG676
M2S050TS-FG896	M2S050TS-FGG896	M2GL050TS-FG896	M2GL050TS-FGG896
M2S150TS-FC1152	M2S150TS-FCG1152	M2GL150TS-FC1152	M2GL150TS-FCG1152
M2S005-1TQ144	M2S005-1TQG144	M2GL005-1TQ144	M2GL005-1TQG144
M2S010-1TQ144	M2S010-1TQG144	M2GL010-1TQ144	M2GL010-1TQG144
M2S005-1VF256	M2S005-1VFG256	M2GL005-1VF256	M2GL005-1VFG256
M2S010-1VF256	M2S010-1VFG256	M2GL010-1VF256	M2GL010-1VFG256
M2S025-1VF256	M2S025-1VFG256	M2GL025-1VF256	M2GL025-1VFG256
M2S025-1FCS325	M2S025-1FCSG325	M2GL025-1FCS325	M2GL025-1FCSG325
M2S050-1FCS325	M2S050-1FCSG325	M2GL050-1FCS325	M2GL050-1FCSG325

Microsemi Corporate Headquarters
 One Enterprise, Aliso Viejo CA 92656 USA
 Within the USA: +1(800) 713-4113, Outside the USA: +1 (949) 380-6100 ·
 Sales: +1 (949) 380-6136, Fax: +1 (949) 215-4996 ·
 E-mail: sales.support@microsemi.com

SmartFusion2 Devices		IGLOO2 Devices	
Leaded Parts	Lead-Free Parts	Leaded Parts	Lead-Free Parts
M2S060-1FCS325	M2S060-1FCSG325	M2GL060-1FCS325	M2GL060-1FCSG325
M2S090-1FCS325	M2S090-1FCSG325	M2GL090-1FCS325	M2GL090-1FCSG325
M2S005-1VF400	M2S005-1VFG400	M2GL005-1VF400	M2GL005-1VFG400
M2S010-1VF400	M2S010-1VFG400	M2GL010-1VF400	M2GL010-1VFG400
M2S025-1VF400	M2S025-1VFG400	M2GL025-1VF400	M2GL025-1VFG400
M2S050-1VF400	M2S050-1VFG400	M2GL050-1VF400	M2GL050-1VFG400
M2S060-1VF400	M2S060-1VFG400	M2GL060-1VF400	M2GL060-1VFG400
M2S150-1FCV484	M2S150-1FCVG484	M2GL150-1FCV484	M2GL150-1FCVG484
M2S005-1FG484	M2S005-1FGG484	M2GL005-1FG484	M2GL005-1FGG484
M2S010-1FG484	M2S010-1FGG484	M2GL010-1FG484	M2GL010-1FGG484
M2S025-1FG484	M2S025-1FGG484	M2GL025-1FG484	M2GL025-1FGG484
M2S050-1FG484	M2S050-1FGG484	M2GL050-1FG484	M2GL050-1FGG484
M2S060-1FG484	M2S060-1FGG484	M2GL060-1FG484	M2GL060-1FGG484
M2S090-1FG484	M2S090-1FGG484	M2GL090-1FG484	M2GL090-1FGG484
M2S150-1FCS536	M2S150-1FCSG536	M2GL150-1FCS536	M2GL150-1FCSG536
M2S060-1FG676	M2S060-1FGG676	M2GL060-1FG676	M2GL060-1FGG676
M2S090-1FG676	M2S090-1FGG676	M2GL090-1FG676	M2GL090-1FGG676
M2S050-1FG896	M2S050-1FGG896	M2GL050-1FG896	M2GL050-1FGG896
M2S150-1FC1152	M2S150-1FCG1152	M2GL150-1FC1152	M2GL150-1FCG1152
M2S010T-1VF256	M2S010T-1VFG256	M2GL010T-1VF256	M2GL010T-1VFG256
M2S025T-1VF256	M2S025T-1VFG256	M2GL025T-1VF256	M2GL025T-1VFG256
M2S025T-1FCS325	M2S025T-1FCSG325	M2GL025T-1FCS325	M2GL025T-1FCSG325
M2S050T-1FCS325	M2S050T-1FCSG325	M2GL050T-1FCS325	M2GL050T-1FCSG325
M2S060T-1FCS325	M2S060T-1FCSG325	M2GL060T-1FCS325	M2GL060T-1FCSG325
M2S090T-1FCS325	M2S090T-1FCSG325	M2GL090T-1FCS325	M2GL090T-1FCSG325
M2S010T-1VF400	M2S010T-1VFG400	M2GL010T-1VF400	M2GL010T-1VFG400
M2S025T-1VF400	M2S025T-1VFG400	M2GL025T-1VF400	M2GL025T-1VFG400
M2S050T-1VF400	M2S050T-1VFG400	M2GL050T-1VF400	M2GL050T-1VFG400
M2S060T-1VF400	M2S060T-1VFG400	M2GL060T-1VF400	M2GL060T-1VFG400
M2S150T-1FCV484	M2S150T-1FCVG484	M2GL150T-1FCV484	M2GL150T-1FCVG484
M2S010T-1FG484	M2S010T-1FGG484	M2GL010T-1FG484	M2GL010T-1FGG484
M2S025T-1FG484	M2S025T-1FGG484	M2GL025T-1FG484	M2GL025T-1FGG484
M2S050T-1FG484	M2S050T-1FGG484	M2GL050T-1FG484	M2GL050T-1FGG484
M2S060T-1FG484	M2S060T-1FGG484	M2GL060T-1FG484	M2GL060T-1FGG484
M2S090T-1FG484	M2S090T-1FGG484	M2GL090T-1FG484	M2GL090T-1FGG484
M2S150T-1FCS536	M2S150T-1FCSG536	M2GL150T-1FCS536	M2GL150T-1FCSG536
M2S060T-1FG676	M2S060T-1FGG676	M2GL060T-1FG676	M2GL060T-1FGG676
M2S090T-1FG676	M2S090T-1FGG676	M2GL090T-1FG676	M2GL090T-1FGG676
M2S050T-1FG896	M2S050T-1FGG896	M2GL050T-1FG896	M2GL050T-1FGG896
M2S150T-1FC1152	M2S150T-1FCG1152	M2GL150T-1FC1152	M2GL150T-1FCG1152
M2S005S-1TQ144	M2S005S-1TQG144	M2GL005S-1TQ144	M2GL005S-1TQG144

SmartFusion2 Devices		IGLOO2 Devices	
Leaded Parts	Lead-Free Parts	Leaded Parts	Lead-Free Parts
M2S005S-1VF256	M2S005S-1VFG256	M2GL005S-1VF256	M2GL005S-1VFG256
M2S005S-1VF400	M2S005S-1VFG400	M2GL005S-1VF400	M2GL005S-1VFG400
M2S005S-1FG484	M2S005S-1FGG484	M2GL005S-1FG484	M2GL005S-1FGG484
M2S010TS-1VF256	M2S010TS-1VFG256	M2GL010TS-1VF256	M2GL010TS-1VFG256
M2S025TS-1VF256	M2S025TS-1VFG256	M2GL025TS-1VF256	M2GL025TS-1VFG256
M2S025TS-1FCS325	M2S025TS-1FCSG325	M2GL025TS-1FCS325	M2GL025TS-1FCSG325
M2S050TS-1FCS325	M2S050TS-1FCSG325	M2GL050TS-1FCS325	M2GL050TS-1FCSG325
M2S060TS-1FCS325	M2S060TS-1FCSG325	M2GL060TS-1FCS325	M2GL060TS-1FCSG325
M2S090TS-1FCS325	M2S090TS-1FCSG325	M2GL090TS-1FCS325	M2GL090TS-1FCSG325
M2S010TS-1VF400	M2S010TS-1VFG400	M2GL010TS-1VF400	M2GL010TS-1VFG400
M2S025TS-1VF400	M2S025TS-1VFG400	M2GL025TS-1VF400	M2GL025TS-1VFG400
M2S050TS-1VF400	M2S050TS-1VFG400	M2GL050TS-1VF400	M2GL050TS-1VFG400
M2S060TS-1VF400	M2S060TS-1VFG400	M2GL060TS-1VF400	M2GL060TS-1VFG400
M2S150TS-1FCV484	M2S150TS-1FCVG484	M2GL150TS-1FCV484	M2GL150TS-1FCVG484
M2S010TS-1FG484	M2S010TS-1FGG484	M2GL010TS-1FG484	M2GL010TS-1FGG484
M2S025TS-1FG484	M2S025TS-1FGG484	M2GL025TS-1FG484	M2GL025TS-1FGG484
M2S050TS-1FG484	M2S050TS-1FGG484	M2GL050TS-1FG484	M2GL050TS-1FGG484
M2S060TS-1FG484	M2S060TS-1FGG484	M2GL060TS-1FG484	M2GL060TS-1FGG484
M2S090TS-1FG484	M2S090TS-1FGG484	M2GL090TS-1FG484	M2GL090TS-1FGG484
M2S150TS-1FCS536	M2S150TS-1FCSG536	M2GL150TS-1FCS536	M2GL150TS-1FCSG536
M2S060TS-1FG676	M2S060TS-1FGG676	M2GL060TS-1FG676	M2GL060TS-1FGG676
M2S090TS-1FG676	M2S090TS-1FGG676	M2GL090TS-1FG676	M2GL090TS-1FGG676
M2S050TS-1FG896	M2S050TS-1FGG896	M2GL050TS-1FG896	M2GL050TS-1FGG896
M2S150TS-1FC1152	M2S150TS-1FCG1152	M2GL150TS-1FC1152	M2GL150TS-1FCG1152
M2S005-TQ144I	M2S005-TQG144I	M2GL005-TQ144I	M2GL005-TQG144I
M2S010-TQ144I	M2S010-TQG144I	M2GL010-TQ144I	M2GL010-TQG144I
M2S005-VF256I	M2S005-VFG256I	M2GL005-VF256I	M2GL005-VFG256I
M2S010-VF256I	M2S010-VFG256I	M2GL010-VF256I	M2GL010-VFG256I
M2S025-VF256I	M2S025-VFG256I	M2GL025-VF256I	M2GL025-VFG256I
M2S025-FCS325I	M2S025-FCSG325I	M2GL025-FCS325I	M2GL025-FCSG325I
M2S050-FCS325I	M2S050-FCSG325I	M2GL050-FCS325I	M2GL050-FCSG325I
M2S060-FCS325I	M2S060-FCSG325I	M2GL060-FCS325I	M2GL060-FCSG325I
M2S090-FCS325I	M2S090-FCSG325I	M2GL090-FCS325I	M2GL090-FCSG325I
M2S005-VF400I	M2S005-VFG400I	M2GL005-VF400I	M2GL005-VFG400I
M2S010-VF400I	M2S010-VFG400I	M2GL010-VF400I	M2GL010-VFG400I
M2S025-VF400I	M2S025-VFG400I	M2GL025-VF400I	M2GL025-VFG400I
M2S050-VF400I	M2S050-VFG400I	M2GL050-VF400I	M2GL050-VFG400I
M2S060-VF400I	M2S060-VFG400I	M2GL060-VF400I	M2GL060-VFG400I
M2S150-FCV484I	M2S150-FCVG484I	M2GL150-FCV484I	M2GL150-FCVG484I
M2S005-FG484I	M2S005-FGG484I	M2GL005-FG484I	M2GL005-FGG484I
M2S010-FG484I	M2S010-FGG484I	M2GL010-FG484I	M2GL010-FGG484I

SmartFusion2 Devices		IGLOO2 Devices	
Leaded Parts	Lead-Free Parts	Leaded Parts	Lead-Free Parts
M2S025-FG484I	M2S025-FGG484I	M2GL025-FG484I	M2GL025-FGG484I
M2S050-FG484I	M2S050-FGG484I	M2GL050-FG484I	M2GL050-FGG484I
M2S060-FG484I	M2S060-FGG484I	M2GL060-FG484I	M2GL060-FGG484I
M2S090-FG484I	M2S090-FGG484I	M2GL090-FG484I	M2GL090-FGG484I
M2S150-FCS536I	M2S150-FCSG536I	M2GL150-FCS536I	M2GL150-FCSG536I
M2S060-FG676I	M2S060-FGG676I	M2GL060-FG676I	M2GL060-FGG676I
M2S090-FG676I	M2S090-FGG676I	M2GL090-FG676I	M2GL090-FGG676I
M2S050-FG896I	M2S050-FGG896I	M2GL050-FG896I	M2GL050-FGG896I
M2S150-FC1152I	M2S150-FCG1152I	M2GL150-FC1152I	M2GL150-FCG1152I
M2S010T-VF256I	M2S010T-VFG256I	M2GL010T-VF256I	M2GL010T-VFG256I
M2S025T-VF256I	M2S025T-VFG256I	M2GL025T-VF256I	M2GL025T-VFG256I
M2S025T-FCS325I	M2S025T-FCSG325I	M2GL025T-FCS325I	M2GL025T-FCSG325I
M2S050T-FCS325I	M2S050T-FCSG325I	M2GL050T-FCS325I	M2GL050T-FCSG325I
M2S060T-FCS325I	M2S060T-FCSG325I	M2GL060T-FCS325I	M2GL060T-FCSG325I
M2S090T-FCS325I	M2S090T-FCSG325I	M2GL090T-FCS325I	M2GL090T-FCSG325I
M2S010T-VF400I	M2S010T-VFG400I	M2GL010T-VF400I	M2GL010T-VFG400I
M2S025T-VF400I	M2S025T-VFG400I	M2GL025T-VF400I	M2GL025T-VFG400I
M2S050T-VF400I	M2S050T-VFG400I	M2GL050T-VF400I	M2GL050T-VFG400I
M2S060T-VF400I	M2S060T-VFG400I	M2GL060T-VF400I	M2GL060T-VFG400I
M2S150T-FCV484I	M2S150T-FCVG484I	M2GL150T-FCV484I	M2GL150T-FCVG484I
M2S010T-FG484I	M2S010T-FGG484I	M2GL010T-FG484I	M2GL010T-FGG484I
M2S025T-FG484I	M2S025T-FGG484I	M2GL025T-FG484I	M2GL025T-FGG484I
M2S050T-FG484I	M2S050T-FGG484I	M2GL050T-FG484I	M2GL050T-FGG484I
M2S060T-FG484I	M2S060T-FGG484I	M2GL060T-FG484I	M2GL060T-FGG484I
M2S090T-FG484I	M2S090T-FGG484I	M2GL090T-FG484I	M2GL090T-FGG484I
M2S150T-FCS536I	M2S150T-FCSG536I	M2GL150T-FCS536I	M2GL150T-FCSG536I
M2S060T-FG676I	M2S060T-FGG676I	M2GL060T-FG676I	M2GL060T-FGG676I
M2S090T-FG676I	M2S090T-FGG676I	M2GL090T-FG676I	M2GL090T-FGG676I
M2S050T-FG896I	M2S050T-FGG896I	M2GL050T-FG896I	M2GL050T-FGG896I
M2S150T-FC1152I	M2S150T-FCG1152I	M2GL150T-FC1152I	M2GL150T-FCG1152I
M2S005S-TQ144I	M2S005S-TQG144I	M2GL005S-TQ144I	M2GL005S-TQG144I
M2S005S-VF256I	M2S005S-VFG256I	M2GL005S-VF256I	M2GL005S-VFG256I
M2S005S-VF400I	M2S005S-VFG400I	M2GL005S-VF400I	M2GL005S-VFG400I
M2S005S-FG484I	M2S005S-FGG484I	M2GL005S-FG484I	M2GL005S-FGG484I
M2S010TS-VF256I	M2S010TS-VFG256I	M2GL010TS-VF256I	M2GL010TS-VFG256I
M2S025TS-VF256I	M2S025TS-VFG256I	M2GL025TS-VF256I	M2GL025TS-VFG256I
M2S025TS-FCS325I	M2S025TS-FCSG325I	M2GL025TS-FCS325I	M2GL025TS-FCSG325I
M2S050TS-FCS325I	M2S050TS-FCSG325I	M2GL050TS-FCS325I	M2GL050TS-FCSG325I
M2S060TS-FCS325I	M2S060TS-FCSG325I	M2GL060TS-FCS325I	M2GL060TS-FCSG325I
M2S090TS-FCS325I	M2S090TS-FCSG325I	M2GL090TS-FCS325I	M2GL090TS-FCSG325I
M2S010TS-VF400I	M2S010TS-VFG400I	M2GL010TS-VF400I	M2GL010TS-VFG400I

Microsemi Corporate Headquarters
 One Enterprise, Aliso Viejo CA 92656 USA
 Within the USA: +1(800) 713-4113, Outside the USA: +1 (949) 380-6100 ·
 Sales: +1 (949) 380-6136, Fax: +1 (949) 215-4996 ·
 E-mail: sales.support@microsemi.com

SmartFusion2 Devices		IGLOO2 Devices	
Leaded Parts	Lead-Free Parts	Leaded Parts	Lead-Free Parts
M2S025TS-VF400I	M2S025TS-VFG400I	M2GL025TS-VF400I	M2GL025TS-VFG400I
M2S050TS-VF400I	M2S050TS-VFG400I	M2GL050TS-VF400I	M2GL050TS-VFG400I
M2S060TS-VF400I	M2S060TS-VFG400I	M2GL060TS-VF400I	M2GL060TS-VFG400I
M2S150TS-FCV484I	M2S150TS-FCVG484I	M2GL150TS-FCV484I	M2GL150TS-FCVG484I
M2S010TS-FG484I	M2S010TS-FGG484I	M2GL010TS-FG484I	M2GL010TS-FGG484I
M2S025TS-FG484I	M2S025TS-FGG484I	M2GL025TS-FG484I	M2GL025TS-FGG484I
M2S050TS-FG484I	M2S050TS-FGG484I	M2GL050TS-FG484I	M2GL050TS-FGG484I
M2S060TS-FG484I	M2S060TS-FGG484I	M2GL060TS-FG484I	M2GL060TS-FGG484I
M2S090TS-FG484I	M2S090TS-FGG484I	M2GL090TS-FG484I	M2GL090TS-FGG484I
M2S150TS-FCS536I	M2S150TS-FCSG536I	M2GL150TS-FCS536I	M2GL150TS-FCSG536I
M2S060TS-FG676I	M2S060TS-FGG676I	M2GL060TS-FG676I	M2GL060TS-FGG676I
M2S090TS-FG676I	M2S090TS-FGG676I	M2GL090TS-FG676I	M2GL090TS-FGG676I
M2S050TS-FG896I	M2S050TS-FGG896I	M2GL050TS-FG896I	M2GL050TS-FGG896I
M2S150TS-FC1152I	M2S150TS-FCG1152I	M2GL150TS-FC1152I	M2GL150TS-FCG1152I
M2S005-1TQ144I	M2S005-1TQG144I	M2GL005-1TQ144I	M2GL005-1TQG144I
M2S010-1TQ144I	M2S010-1TQG144I	M2GL010-1TQ144I	M2GL010-1TQG144I
M2S005-1VF256I	M2S005-1VFG256I	M2GL005-1VF256I	M2GL005-1VFG256I
M2S010-1VF256I	M2S010-1VFG256I	M2GL010-1VF256I	M2GL010-1VFG256I
M2S025-1VF256I	M2S025-1VFG256I	M2GL025-1VF256I	M2GL025-1VFG256I
M2S025-1FCS325I	M2S025-1FCSG325I	M2GL025-1FCS325I	M2GL025-1FCSG325I
M2S050-1FCS325I	M2S050-1FCSG325I	M2GL050-1FCS325I	M2GL050-1FCSG325I
M2S060-1FCS325I	M2S060-1FCSG325I	M2GL060-1FCS325I	M2GL060-1FCSG325I
M2S090-1FCS325I	M2S090-1FCSG325I	M2GL090-1FCS325I	M2GL090-1FCSG325I
M2S005-1VF400I	M2S005-1VFG400I	M2GL005-1VF400I	M2GL005-1VFG400I
M2S010-1VF400I	M2S010-1VFG400I	M2GL010-1VF400I	M2GL010-1VFG400I
M2S025-1VF400I	M2S025-1VFG400I	M2GL025-1VF400I	M2GL025-1VFG400I
M2S050-1VF400I	M2S050-1VFG400I	M2GL050-1VF400I	M2GL050-1VFG400I
M2S060-1VF400I	M2S060-1VFG400I	M2GL060-1VF400I	M2GL060-1VFG400I
M2S150-1FCV484I	M2S150-1FCVG484I	M2GL150-1FCV484I	M2GL150-1FCVG484I
M2S005-1FG484I	M2S005-1FGG484I	M2GL005-1FG484I	M2GL005-1FGG484I
M2S010-1FG484I	M2S010-1FGG484I	M2GL010-1FG484I	M2GL010-1FGG484I
M2S025-1FG484I	M2S025-1FGG484I	M2GL025-1FG484I	M2GL025-1FGG484I
M2S050-1FG484I	M2S050-1FGG484I	M2GL050-1FG484I	M2GL050-1FGG484I
M2S060-1FG484I	M2S060-1FGG484I	M2GL060-1FG484I	M2GL060-1FGG484I
M2S090-1FG484I	M2S090-1FGG484I	M2GL090-1FG484I	M2GL090-1FGG484I
M2S150-1FCS536I	M2S150-1FCSG536I	M2GL150-1FCS536I	M2GL150-1FCSG536I
M2S060-1FG676I	M2S060-1FGG676I	M2GL060-1FG676I	M2GL060-1FGG676I
M2S090-1FG676I	M2S090-1FGG676I	M2GL090-1FG676I	M2GL090-1FGG676I
M2S050-1FG896I	M2S050-1FGG896I	M2GL050-1FG896I	M2GL050-1FGG896I
M2S150-1FC1152I	M2S150-1FCG1152I	M2GL150-1FC1152I	M2GL150-1FCG1152I
M2S010T-1VF256I	M2S010T-1VFG256I	M2GL010T-1VF256I	M2GL010T-1VFG256I

Microsemi Corporate Headquarters
 One Enterprise, Aliso Viejo CA 92656 USA
 Within the USA: +1(800) 713-4113, Outside the USA: +1 (949) 380-6100 ·
 Sales: +1 (949) 380-6136, Fax: +1 (949) 215-4996 ·
 E-mail: sales.support@microsemi.com

SmartFusion2 Devices		IGLOO2 Devices	
Leaded Parts	Lead-Free Parts	Leaded Parts	Lead-Free Parts
M2S025T-1VF256I	M2S025T-1VFG256I	M2GL025T-1VF256I	M2GL025T-1VFG256I
M2S025T-1FCS325I	M2S025T-1FCSG325I	M2GL025T-1FCS325I	M2GL025T-1FCSG325I
M2S050T-1FCS325I	M2S050T-1FCSG325I	M2GL050T-1FCS325I	M2GL050T-1FCSG325I
M2S060T-1FCS325I	M2S060T-1FCSG325I	M2GL060T-1FCS325I	M2GL060T-1FCSG325I
M2S090T-1FCS325I	M2S090T-1FCSG325I	M2GL090T-1FCS325I	M2GL090T-1FCSG325I
M2S010T-1VF400I	M2S010T-1VFG400I	M2GL010T-1VF400I	M2GL010T-1VFG400I
M2S025T-1VF400I	M2S025T-1VFG400I	M2GL025T-1VF400I	M2GL025T-1VFG400I
M2S050T-1VF400I	M2S050T-1VFG400I	M2GL050T-1VF400I	M2GL050T-1VFG400I
M2S060T-1VF400I	M2S060T-1VFG400I	M2GL060T-1VF400I	M2GL060T-1VFG400I
M2S150T-1FCV484I	M2S150T-1FCVG484I	M2GL150T-1FCV484I	M2GL150T-1FCVG484I
M2S010T-1FG484I	M2S010T-1FGG484I	M2GL010T-1FG484I	M2GL010T-1FGG484I
M2S025T-1FG484I	M2S025T-1FGG484I	M2GL025T-1FG484I	M2GL025T-1FGG484I
M2S050T-1FG484I	M2S050T-1FGG484I	M2GL050T-1FG484I	M2GL050T-1FGG484I
M2S060T-1FG484I	M2S060T-1FGG484I	M2GL060T-1FG484I	M2GL060T-1FGG484I
M2S090T-1FG484I	M2S090T-1FGG484I	M2GL090T-1FG484I	M2GL090T-1FGG484I
M2S150T-1FCS536I	M2S150T-1FCSG536I	M2GL150T-1FCS536I	M2GL150T-1FCSG536I
M2S060T-1FG676I	M2S060T-1FGG676I	M2GL060T-1FG676I	M2GL060T-1FGG676I
M2S090T-1FG676I	M2S090T-1FGG676I	M2GL090T-1FG676I	M2GL090T-1FGG676I
M2S050T-1FG896I	M2S050T-1FGG896I	M2GL050T-1FG896I	M2GL050T-1FGG896I
M2S150T-1FC1152I	M2S150T-1FCG1152I	M2GL150T-1FC1152I	M2GL150T-1FCG1152I
M2S005S-1TQ144I	M2S005S-1TQG144I	M2GL005S-1TQ144I	M2GL005S-1TQG144I
M2S005S-1VF256I	M2S005S-1VFG256I	M2GL005S-1VF256I	M2GL005S-1VFG256I
M2S005S-1VF400I	M2S005S-1VFG400I	M2GL005S-1VF400I	M2GL005S-1VFG400I
M2S005S-1FG484I	M2S005S-1FGG484I	M2GL005S-1FG484I	M2GL005S-1FGG484I
M2S010TS-1VF256I	M2S010TS-1VFG256I	M2GL010TS-1VF256I	M2GL010TS-1VFG256I
M2S025TS-1VF256I	M2S025TS-1VFG256I	M2GL025TS-1VF256I	M2GL025TS-1VFG256I
M2S025TS-1FCS325I	M2S025TS-1FCSG325I	M2GL025TS-1FCS325I	M2GL025TS-1FCSG325I
M2S050TS-1FCS325I	M2S050TS-1FCSG325I	M2GL050TS-1FCS325I	M2GL050TS-1FCSG325I
M2S060TS-1FCS325I	M2S060TS-1FCSG325I	M2GL060TS-1FCS325I	M2GL060TS-1FCSG325I
M2S090TS-1FCS325I	M2S090TS-1FCSG325I	M2GL090TS-1FCS325I	M2GL090TS-1FCSG325I
M2S010TS-1VF400I	M2S010TS-1VFG400I	M2GL010TS-1VF400I	M2GL010TS-1VFG400I
M2S025TS-1VF400I	M2S025TS-1VFG400I	M2GL025TS-1VF400I	M2GL025TS-1VFG400I
M2S050TS-1VF400I	M2S050TS-1VFG400I	M2GL050TS-1VF400I	M2GL050TS-1VFG400I
M2S060TS-1VF400I	M2S060TS-1VFG400I	M2GL060TS-1VF400I	M2GL060TS-1VFG400I
M2S150TS-1FCV484I	M2S150TS-1FCVG484I	M2GL150TS-1FCV484I	M2GL150TS-1FCVG484I
M2S010TS-1FG484I	M2S010TS-1FGG484I	M2GL010TS-1FG484I	M2GL010TS-1FGG484I
M2S025TS-1FG484I	M2S025TS-1FGG484I	M2GL025TS-1FG484I	M2GL025TS-1FGG484I
M2S050TS-1FG484I	M2S050TS-1FGG484I	M2GL050TS-1FG484I	M2GL050TS-1FGG484I
M2S060TS-1FG484I	M2S060TS-1FGG484I	M2GL060TS-1FG484I	M2GL060TS-1FGG484I
M2S090TS-1FG484I	M2S090TS-1FGG484I	M2GL090TS-1FG484I	M2GL090TS-1FGG484I
M2S150TS-1FCS536I	M2S150TS-1FCSG536I	M2GL150TS-1FCS536I	M2GL150TS-1FCSG536I

Microsemi Corporate Headquarters
 One Enterprise, Aliso Viejo CA 92656 USA
 Within the USA: +1(800) 713-4113, Outside the USA: +1 (949) 380-6100 ·
 Sales: +1 (949) 380-6136, Fax: +1 (949) 215-4996 ·
 E-mail: sales.support@microsemi.com

SmartFusion2 Devices		IGLOO2 Devices	
Leaded Parts	Lead-Free Parts	Leaded Parts	Lead-Free Parts
M2S060TS-1FG676I	M2S060TS-1FGG676I	M2GL060TS-1FG676I	M2GL060TS-1FGG676I
M2S090TS-1FG676I	M2S090TS-1FGG676I	M2GL090TS-1FG676I	M2GL090TS-1FGG676I
M2S050TS-1FG896I	M2S050TS-1FGG896I	M2GL050TS-1FG896I	M2GL050TS-1FGG896I
M2S150TS-1FC1152I	M2S150TS-1FCG1152I	M2GL150TS-1FC1152I	M2GL150TS-1FCG1152I
M2S010T-1FG484M	M2S010T-1FGG484M	M2GL010T-1FG484M	M2GL010T-1FGG484M
M2S025T-1FG484M	M2S025T-1FGG484M	M2GL025T-1FG484M	M2GL025T-1FGG484M
M2S050T-1FG484M	M2S050T-1FGG484M	M2GL050T-1FG484M	M2GL050T-1FGG484M
M2S060T-1FG484M	M2S060T-1FGG484M	M2GL060T-1FG484M	M2GL060T-1FGG484M
M2S090T-1FG484M	M2S090T-1FGG484M	M2GL090T-1FG484M	M2GL090T-1FGG484M
M2S150T-1FC1152M	M2S150T-1FCG1152M	M2GL150T-1FC1152M	M2GL150T-1FCG1152M
M2S010TS-1FG484M	M2S010TS-1FGG484M	M2GL010TS-1FG484M	M2GL010TS-1FGG484M
M2S025TS-1FG484M	M2S025TS-1FGG484M	M2GL025TS-1FG484M	M2GL025TS-1FGG484M
M2S050TS-1FG484M	M2S050TS-1FGG484M	M2GL050TS-1FG484M	M2GL050TS-1FGG484M
M2S060TS-1FG484M	M2S060TS-1FGG484M	M2GL060TS-1FG484M	M2GL060TS-1FGG484M
M2S090TS-1FG484M	M2S090TS-1FGG484M	M2GL090TS-1FG484M	M2GL090TS-1FGG484M
M2S150TS-1FC1152M	M2S150TS-1FCG1152M	M2GL150TS-1FC1152M	M2GL150TS-1FCG1152M

Appendix B: SmartFusion2 and IGLOO2 Devices of 005, 010, 025, 050 Densities

SmartFusion2 Devices		IGLOO2 Devices	
Leaded Parts	Lead-Free Parts	Leaded Parts	Lead-Free Parts
M2S005-TQ144	M2S005-TQG144	M2GL005-TQ144	M2GL005-TQG144
M2S010-TQ144	M2S010-TQG144	M2GL010-TQ144	M2GL010-TQG144
M2S010S-TQ144	M2S010S-TQG144	M2GL010S-TQ144	M2GL010S-TQG144
M2S005-VF256	M2S005-VFG256	M2GL005-VF256	M2GL005-VFG256
M2S010-VF256	M2S010-VFG256	M2GL010-VF256	M2GL010-VFG256
M2S025-VF256	M2S025-VFG256	M2GL025-VF256	M2GL025-VFG256
M2S025-FCS325	M2S025-FCSG325	M2GL025-FCS325	M2GL025-FCSG325
M2S050-FCS325	M2S050-FCSG325	M2GL050-FCS325	M2GL050-FCSG325
M2S005-VF400	M2S005-VFG400	M2GL005-VF400	M2GL005-VFG400
M2S010-VF400	M2S010-VFG400	M2GL010-VF400	M2GL010-VFG400
M2S025-VF400	M2S025-VFG400	M2GL025-VF400	M2GL025-VFG400
M2S050-VF400	M2S050-VFG400	M2GL050-VF400	M2GL050-VFG400
M2S005-FG484	M2S005-FGG484	M2GL005-FG484	M2GL005-FGG484
M2S010-FG484	M2S010-FGG484	M2GL010-FG484	M2GL010-FGG484
M2S025-FG484	M2S025-FGG484	M2GL025-FG484	M2GL025-FGG484
M2S050-FG484	M2S050-FGG484	M2GL050-FG484	M2GL050-FGG484
M2S050-FG896	M2S050-FGG896	M2GL050-FG896	M2GL050-FGG896
M2S010T-VF256	M2S010T-VFG256	M2GL010T-VF256	M2GL010T-VFG256
M2S025T-VF256	M2S025T-VFG256	M2GL025T-VF256	M2GL025T-VFG256
M2S025T-FCS325	M2S025T-FCSG325	M2GL025T-FCS325	M2GL025T-FCSG325
M2S050T-FCS325	M2S050T-FCSG325	M2GL050T-FCS325	M2GL050T-FCSG325
M2S010T-VF400	M2S010T-VFG400	M2GL010T-VF400	M2GL010T-VFG400
M2S025T-VF400	M2S025T-VFG400	M2GL025T-VF400	M2GL025T-VFG400
M2S050T-VF400	M2S050T-VFG400	M2GL050T-VF400	M2GL050T-VFG400
M2S010T-FG484	M2S010T-FGG484	M2GL010T-FG484	M2GL010T-FGG484
M2S025T-FG484	M2S025T-FGG484	M2GL025T-FG484	M2GL025T-FGG484
M2S050T-FG484	M2S050T-FGG484	M2GL050T-FG484	M2GL050T-FGG484
M2S050T-FG896	M2S050T-FGG896	M2GL050T-FG896	M2GL050T-FGG896
M2S005S-TQ144	M2S005S-TQG144	M2GL005S-TQ144	M2GL005S-TQG144
M2S005S-VF256	M2S005S-VFG256	M2GL005S-VF256	M2GL005S-VFG256
M2S005S-VF400	M2S005S-VFG400	M2GL005S-VF400	M2GL005S-VFG400
M2S005S-FG484	M2S005S-FGG484	M2GL005S-FG484	M2GL005S-FGG484
M2S010TS-VF256	M2S010TS-VFG256	M2GL010TS-VF256	M2GL010TS-VFG256
M2S025TS-VF256	M2S025TS-VFG256	M2GL025TS-VF256	M2GL025TS-VFG256
M2S025TS-FCS325	M2S025TS-FCSG325	M2GL025TS-FCS325	M2GL025TS-FCSG325
M2S050TS-FCS325	M2S050TS-FCSG325	M2GL050TS-FCS325	M2GL050TS-FCSG325
M2S010TS-VF400	M2S010TS-VFG400	M2GL010TS-VF400	M2GL010TS-VFG400
M2S025TS-VF400	M2S025TS-VFG400	M2GL025TS-VF400	M2GL025TS-VFG400

SmartFusion2 Devices		IGLOO2 Devices	
Leaded Parts	Lead-Free Parts	Leaded Parts	Lead-Free Parts
M2S050TS-VF400	M2S050TS-VFG400	M2GL050TS-VF400	M2GL050TS-VFG400
M2S010TS-FG484	M2S010TS-FGG484	M2GL010TS-FG484	M2GL010TS-FGG484
M2S025TS-FG484	M2S025TS-FGG484	M2GL025TS-FG484	M2GL025TS-FGG484
M2S050TS-FG484	M2S050TS-FGG484	M2GL050TS-FG484	M2GL050TS-FGG484
M2S050TS-FG896	M2S050TS-FGG896	M2GL050TS-FG896	M2GL050TS-FGG896
M2S005-1TQ144	M2S005-1TQG144	M2GL005-1TQ144	M2GL005-1TQG144
M2S010-1TQ144	M2S010-1TQG144	M2GL010-1TQ144	M2GL010-1TQG144
M2S005-1VF256	M2S005-1VFG256	M2GL005-1VF256	M2GL005-1VFG256
M2S010-1VF256	M2S010-1VFG256	M2GL010-1VF256	M2GL010-1VFG256
M2S025-1VF256	M2S025-1VFG256	M2GL025-1VF256	M2GL025-1VFG256
M2S025-1FCS325	M2S025-1FCSG325	M2GL025-1FCS325	M2GL025-1FCSG325
M2S050-1FCS325	M2S050-1FCSG325	M2GL050-1FCS325	M2GL050-1FCSG325
M2S005-1VF400	M2S005-1VFG400	M2GL005-1VF400	M2GL005-1VFG400
M2S010-1VF400	M2S010-1VFG400	M2GL010-1VF400	M2GL010-1VFG400
M2S025-1VF400	M2S025-1VFG400	M2GL025-1VF400	M2GL025-1VFG400
M2S050-1VF400	M2S050-1VFG400	M2GL050-1VF400	M2GL050-1VFG400
M2S005-1FG484	M2S005-1FGG484	M2GL005-1FG484	M2GL005-1FGG484
M2S010-1FG484	M2S010-1FGG484	M2GL010-1FG484	M2GL010-1FGG484
M2S025-1FG484	M2S025-1FGG484	M2GL025-1FG484	M2GL025-1FGG484
M2S050-1FG484	M2S050-1FGG484	M2GL050-1FG484	M2GL050-1FGG484
M2S050-1FG896	M2S050-1FGG896	M2GL050-1FG896	M2GL050-1FGG896
M2S010T-1VF256	M2S010T-1VFG256	M2GL010T-1VF256	M2GL010T-1VFG256
M2S025T-1VF256	M2S025T-1VFG256	M2GL025T-1VF256	M2GL025T-1VFG256
M2S025T-1FCS325	M2S025T-1FCSG325	M2GL025T-1FCS325	M2GL025T-1FCSG325
M2S050T-1FCS325	M2S050T-1FCSG325	M2GL050T-1FCS325	M2GL050T-1FCSG325
M2S010T-1VF400	M2S010T-1VFG400	M2GL010T-1VF400	M2GL010T-1VFG400
M2S025T-1VF400	M2S025T-1VFG400	M2GL025T-1VF400	M2GL025T-1VFG400
M2S050T-1VF400	M2S050T-1VFG400	M2GL050T-1VF400	M2GL050T-1VFG400
M2S010T-1FG484	M2S010T-1FGG484	M2GL010T-1FG484	M2GL010T-1FGG484
M2S025T-1FG484	M2S025T-1FGG484	M2GL025T-1FG484	M2GL025T-1FGG484
M2S050T-1FG484	M2S050T-1FGG484	M2GL050T-1FG484	M2GL050T-1FGG484
M2S050T-1FG896	M2S050T-1FGG896	M2GL050T-1FG896	M2GL050T-1FGG896
M2S005S-1TQ144	M2S005S-1TQG144	M2GL005S-1TQ144	M2GL005S-1TQG144
M2S005S-1VF256	M2S005S-1VFG256	M2GL005S-1VF256	M2GL005S-1VFG256
M2S005S-1VF400	M2S005S-1VFG400	M2GL005S-1VF400	M2GL005S-1VFG400
M2S005S-1FG484	M2S005S-1FGG484	M2GL005S-1FG484	M2GL005S-1FGG484
M2S010TS-1VF256	M2S010TS-1VFG256	M2GL010TS-1VF256	M2GL010TS-1VFG256
M2S025TS-1VF256	M2S025TS-1VFG256	M2GL025TS-1VF256	M2GL025TS-1VFG256
M2S025TS-1FCS325	M2S025TS-1FCSG325	M2GL025TS-1FCS325	M2GL025TS-1FCSG325
M2S050TS-1FCS325	M2S050TS-1FCSG325	M2GL050TS-1FCS325	M2GL050TS-1FCSG325
M2S010TS-1VF400	M2S010TS-1VFG400	M2GL010TS-1VF400	M2GL010TS-1VFG400

SmartFusion2 Devices		IGLOO2 Devices	
Leaded Parts	Lead-Free Parts	Leaded Parts	Lead-Free Parts
M2S025TS-1VF400	M2S025TS-1VFG400	M2GL025TS-1VF400	M2GL025TS-1VFG400
M2S050TS-1VF400	M2S050TS-1VFG400	M2GL050TS-1VF400	M2GL050TS-1VFG400
M2S010TS-1FG484	M2S010TS-1FGG484	M2GL010TS-1FG484	M2GL010TS-1FGG484
M2S025TS-1FG484	M2S025TS-1FGG484	M2GL025TS-1FG484	M2GL025TS-1FGG484
M2S050TS-1FG484	M2S050TS-1FGG484	M2GL050TS-1FG484	M2GL050TS-1FGG484
M2S050TS-1FG896	M2S050TS-1FGG896	M2GL050TS-1FG896	M2GL050TS-1FGG896
M2S005-TQ144I	M2S005-TQG144I	M2GL005-TQ144I	M2GL005-TQG144I
M2S010-TQ144I	M2S010-TQG144I	M2GL010-TQ144I	M2GL010-TQG144I
M2S005-VF256I	M2S005-VFG256I	M2GL005-VF256I	M2GL005-VFG256I
M2S010-VF256I	M2S010-VFG256I	M2GL010-VF256I	M2GL010-VFG256I
M2S025-VF256I	M2S025-VFG256I	M2GL025-VF256I	M2GL025-VFG256I
M2S025-FCS325I	M2S025-FCSG325I	M2GL025-FCS325I	M2GL025-FCSG325I
M2S050-FCS325I	M2S050-FCSG325I	M2GL050-FCS325I	M2GL050-FCSG325I
M2S005-VF400I	M2S005-VFG400I	M2GL005-VF400I	M2GL005-VFG400I
M2S010-VF400I	M2S010-VFG400I	M2GL010-VF400I	M2GL010-VFG400I
M2S025-VF400I	M2S025-VFG400I	M2GL025-VF400I	M2GL025-VFG400I
M2S050-VF400I	M2S050-VFG400I	M2GL050-VF400I	M2GL050-VFG400I
M2S005-FG484I	M2S005-FGG484I	M2GL005-FG484I	M2GL005-FGG484I
M2S010-FG484I	M2S010-FGG484I	M2GL010-FG484I	M2GL010-FGG484I
M2S025-FG484I	M2S025-FGG484I	M2GL025-FG484I	M2GL025-FGG484I
M2S050-FG484I	M2S050-FGG484I	M2GL050-FG484I	M2GL050-FGG484I
M2S050-FG896I	M2S050-FGG896I	M2GL050-FG896I	M2GL050-FGG896I
M2S010T-VF256I	M2S010T-VFG256I	M2GL010T-VF256I	M2GL010T-VFG256I
M2S025T-VF256I	M2S025T-VFG256I	M2GL025T-VF256I	M2GL025T-VFG256I
M2S025T-FCS325I	M2S025T-FCSG325I	M2GL025T-FCS325I	M2GL025T-FCSG325I
M2S050T-FCS325I	M2S050T-FCSG325I	M2GL050T-FCS325I	M2GL050T-FCSG325I
M2S010T-VF400I	M2S010T-VFG400I	M2GL010T-VF400I	M2GL010T-VFG400I
M2S025T-VF400I	M2S025T-VFG400I	M2GL025T-VF400I	M2GL025T-VFG400I
M2S050T-VF400I	M2S050T-VFG400I	M2GL050T-VF400I	M2GL050T-VFG400I
M2S010T-FG484I	M2S010T-FGG484I	M2GL010T-FG484I	M2GL010T-FGG484I
M2S025T-FG484I	M2S025T-FGG484I	M2GL025T-FG484I	M2GL025T-FGG484I
M2S050T-FG484I	M2S050T-FGG484I	M2GL050T-FG484I	M2GL050T-FGG484I
M2S050T-FG896I	M2S050T-FGG896I	M2GL050T-FG896I	M2GL050T-FGG896I
M2S005S-TQ144I	M2S005S-TQG144I	M2GL005S-TQ144I	M2GL005S-TQG144I
M2S005S-VF256I	M2S005S-VFG256I	M2GL005S-VF256I	M2GL005S-VFG256I
M2S005S-VF400I	M2S005S-VFG400I	M2GL005S-VF400I	M2GL005S-VFG400I
M2S005S-FG484I	M2S005S-FGG484I	M2GL005S-FG484I	M2GL005S-FGG484I
M2S010TS-VF256I	M2S010TS-VFG256I	M2GL010TS-VF256I	M2GL010TS-VFG256I
M2S025TS-VF256I	M2S025TS-VFG256I	M2GL025TS-VF256I	M2GL025TS-VFG256I
M2S025TS-FCS325I	M2S025TS-FCSG325I	M2GL025TS-FCS325I	M2GL025TS-FCSG325I
M2S050TS-FCS325I	M2S050TS-FCSG325I	M2GL050TS-FCS325I	M2GL050TS-FCSG325I

SmartFusion2 Devices		IGLOO2 Devices	
Leaded Parts	Lead-Free Parts	Leaded Parts	Lead-Free Parts
M2S010TS-VF400I	M2S010TS-VFG400I	M2GL010TS-VF400I	M2GL010TS-VFG400I
M2S025TS-VF400I	M2S025TS-VFG400I	M2GL025TS-VF400I	M2GL025TS-VFG400I
M2S050TS-VF400I	M2S050TS-VFG400I	M2GL050TS-VF400I	M2GL050TS-VFG400I
M2S010TS-FG484I	M2S010TS-FGG484I	M2GL010TS-FG484I	M2GL010TS-FGG484I
M2S025TS-FG484I	M2S025TS-FGG484I	M2GL025TS-FG484I	M2GL025TS-FGG484I
M2S050TS-FG484I	M2S050TS-FGG484I	M2GL050TS-FG484I	M2GL050TS-FGG484I
M2S050TS-FG896I	M2S050TS-FGG896I	M2GL050TS-FG896I	M2GL050TS-FGG896I
M2S005-1TQ144I	M2S005-1TQG144I	M2GL005-1TQ144I	M2GL005-1TQG144I
M2S010-1TQ144I	M2S010-1TQG144I	M2GL010-1TQ144I	M2GL010-1TQG144I
M2S005-1VF256I	M2S005-1VFG256I	M2GL005-1VF256I	M2GL005-1VFG256I
M2S010-1VF256I	M2S010-1VFG256I	M2GL010-1VF256I	M2GL010-1VFG256I
M2S025-1VF256I	M2S025-1VFG256I	M2GL025-1VF256I	M2GL025-1VFG256I
M2S025-1FCS325I	M2S025-1FC325I	M2GL025-1FCS325I	M2GL025-1FC325I
M2S050-1FCS325I	M2S050-1FC325I	M2GL050-1FCS325I	M2GL050-1FC325I
M2S005-1VF400I	M2S005-1VFG400I	M2GL005-1VF400I	M2GL005-1VFG400I
M2S010-1VF400I	M2S010-1VFG400I	M2GL010-1VF400I	M2GL010-1VFG400I
M2S025-1VF400I	M2S025-1VFG400I	M2GL025-1VF400I	M2GL025-1VFG400I
M2S050-1VF400I	M2S050-1VFG400I	M2GL050-1VF400I	M2GL050-1VFG400I
M2S005-1FG484I	M2S005-1FGG484I	M2GL005-1FG484I	M2GL005-1FGG484I
M2S010-1FG484I	M2S010-1FGG484I	M2GL010-1FG484I	M2GL010-1FGG484I
M2S025-1FG484I	M2S025-1FGG484I	M2GL025-1FG484I	M2GL025-1FGG484I
M2S050-1FG484I	M2S050-1FGG484I	M2GL050-1FG484I	M2GL050-1FGG484I
M2S050-1FG896I	M2S050-1FGG896I	M2GL050-1FG896I	M2GL050-1FGG896I
M2S010T-1VF256I	M2S010T-1VFG256I	M2GL010T-1VF256I	M2GL010T-1VFG256I
M2S025T-1VF256I	M2S025T-1VFG256I	M2GL025T-1VF256I	M2GL025T-1VFG256I
M2S025T-1FCS325I	M2S025T-1FC325I	M2GL025T-1FCS325I	M2GL025T-1FC325I
M2S050T-1FCS325I	M2S050T-1FC325I	M2GL050T-1FCS325I	M2GL050T-1FC325I
M2S010T-1VF400I	M2S010T-1VFG400I	M2GL010T-1VF400I	M2GL010T-1VFG400I
M2S025T-1VF400I	M2S025T-1VFG400I	M2GL025T-1VF400I	M2GL025T-1VFG400I
M2S050T-1VF400I	M2S050T-1VFG400I	M2GL050T-1VF400I	M2GL050T-1VFG400I
M2S010T-1FG484I	M2S010T-1FGG484I	M2GL010T-1FG484I	M2GL010T-1FGG484I
M2S025T-1FG484I	M2S025T-1FGG484I	M2GL025T-1FG484I	M2GL025T-1FGG484I
M2S050T-1FG484I	M2S050T-1FGG484I	M2GL050T-1FG484I	M2GL050T-1FGG484I
M2S050T-1FG896I	M2S050T-1FGG896I	M2GL050T-1FG896I	M2GL050T-1FGG896I
M2S005S-1TQ144I	M2S005S-1TQG144I	M2GL005S-1TQ144I	M2GL005S-1TQG144I
M2S005S-1VF256I	M2S005S-1VFG256I	M2GL005S-1VF256I	M2GL005S-1VFG256I
M2S005S-1VF400I	M2S005S-1VFG400I	M2GL005S-1VF400I	M2GL005S-1VFG400I
M2S005S-1FG484I	M2S005S-1FGG484I	M2GL005S-1FG484I	M2GL005S-1FGG484I
M2S010TS-1VF256I	M2S010TS-1VFG256I	M2GL010TS-1VF256I	M2GL010TS-1VFG256I
M2S025TS-1VF256I	M2S025TS-1VFG256I	M2GL025TS-1VF256I	M2GL025TS-1VFG256I
M2S025TS-1FCS325I	M2S025TS-1FC325I	M2GL025TS-1FCS325I	M2GL025TS-1FC325I

SmartFusion2 Devices		IGLOO2 Devices	
Leaded Parts	Lead-Free Parts	Leaded Parts	Lead-Free Parts
M2S050TS-1FCS325I	M2S050TS-1FC3G325I	M2GL050TS-1FCS325I	M2GL050TS-1FC3G325I
M2S010TS-1VF400I	M2S010TS-1VFG400I	M2GL010TS-1VF400I	M2GL010TS-1VFG400I
M2S025TS-1VF400I	M2S025TS-1VFG400I	M2GL025TS-1VF400I	M2GL025TS-1VFG400I
M2S050TS-1VF400I	M2S050TS-1VFG400I	M2GL050TS-1VF400I	M2GL050TS-1VFG400I
M2S010TS-1FG484I	M2S010TS-1F3G484I	M2GL010TS-1FG484I	M2GL010TS-1F3G484I
M2S025TS-1FG484I	M2S025TS-1F3G484I	M2GL025TS-1FG484I	M2GL025TS-1F3G484I
M2S050TS-1FG484I	M2S050TS-1F3G484I	M2GL050TS-1FG484I	M2GL050TS-1F3G484I
M2S050TS-1FG896I	M2S050TS-1F3G896I	M2GL050TS-1FG896I	M2GL050TS-1F3G896I
M2S010T-1FG484M	M2S010T-1F3G484M	M2GL010T-1FG484M	M2GL010T-1F3G484M
M2S025T-1FG484M	M2S025T-1F3G484M	M2GL025T-1FG484M	M2GL025T-1F3G484M
M2S050T-1FG484M	M2S050T-1F3G484M	M2GL050T-1FG484M	M2GL050T-1F3G484M

Appendix C: SmartFusion2 and IGLOO2 060 FCS(G)325 Devices

SmartFusion2 Devices		IGLOO2 Devices	
Leaded Parts	Lead-Free Parts	Leaded Parts	Lead-Free Parts
M2S060-FCS325	M2S060-FCSG325	M2GL060-FCS325	M2GL060-FCSG325
M2S060T-FCS325	M2S060T-FCSG325	M2GL060T-FCS325	M2GL060T-FCSG325
M2S060-1FCS325	M2S060-1FCSG325	M2GL060-1FCS325	M2GL060-1FCSG325
M2S060T-1FCS325	M2S060T-1FCSG325	M2GL060T-1FCS325	M2GL060T-1FCSG325
M2S060TS-FCS325	M2S060TS-FCSG325	M2GL060TS-FCS325	M2GL060TS-FCSG325
M2S060TS-1FCS325	M2S060TS-1FCSG325	M2GL060TS-1FCS325	M2GL060TS-1FCSG325
M2S060-FCS325I	M2S060-FCSG325I	M2GL060-FCS325I	M2GL060-FCSG325I
M2S060T-FCS325I	M2S060T-FCSG325I	M2GL060T-FCS325I	M2GL060T-FCSG325I
M2S060-1FCS325I	M2S060-1FCSG325I	M2GL060-1FCS325I	M2GL060-1FCSG325I
M2S060T-1FCS325I	M2S060T-1FCSG325I	M2GL060T-1FCS325I	M2GL060T-1FCSG325I
M2S060TS-FCS325I	M2S060TS-FCSG325I	M2GL060TS-FCS325I	M2GL060TS-FCSG325I
M2S060TS-1FCS325I	M2S060TS-1FCSG325I	M2GL060TS-1FCS325I	M2GL060TS-1FCSG325I