

Customer Information Sheet

DRAWING No.: KAI-MVIXX05M2

IF IN DOUBT - ASK

©

NOT TO SCALE

THIRD ANGLE PROJECTION

ALL DIMENSIONS IN mm

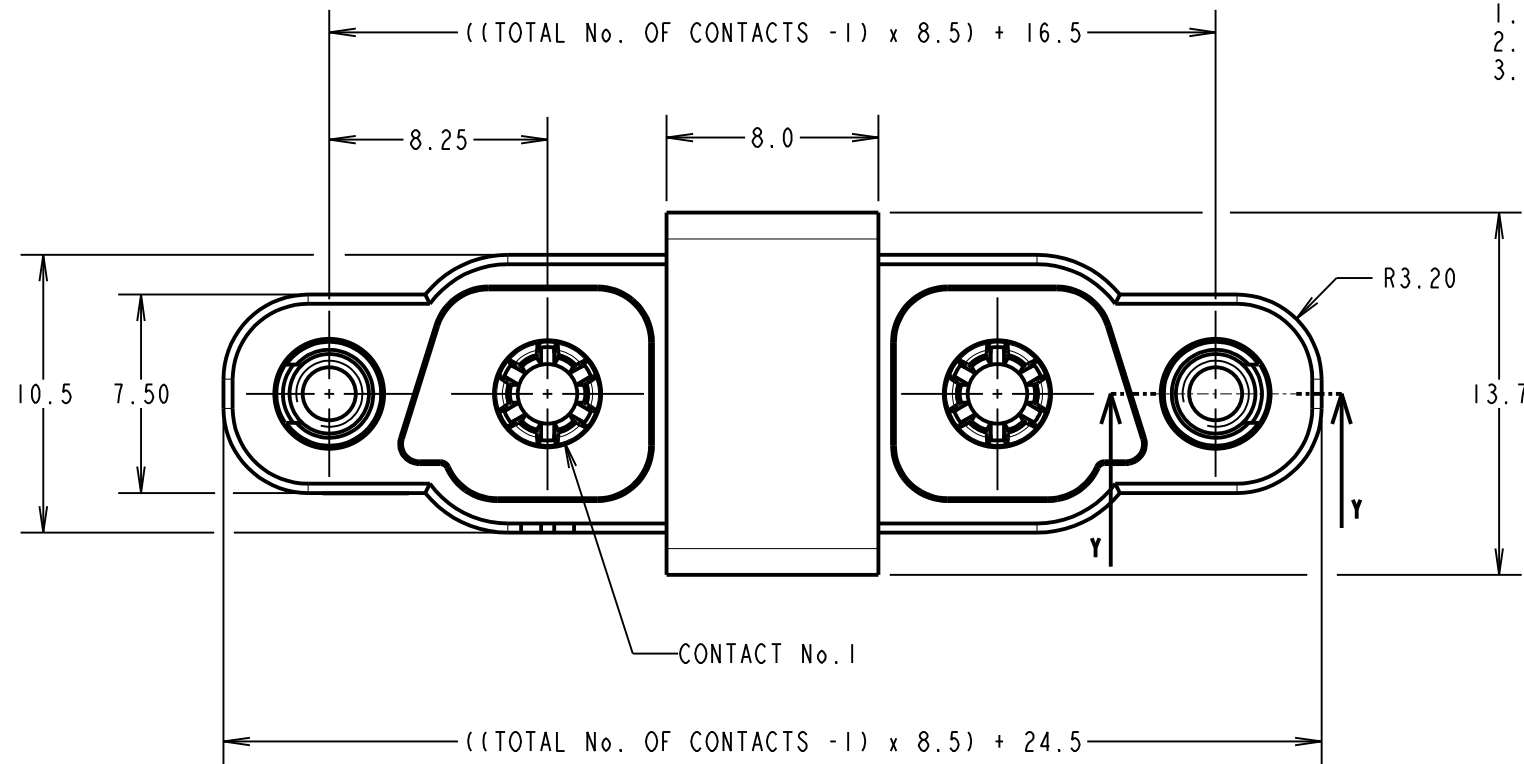
NOTES:

1. FOR CONNECTOR SPECIFICATIONS SEE C052XX (LATEST ISSUE).
2. DRAWING SHOWS CONNECTOR WITH 3 CONTACTS.
3. PACKING = TUBE.

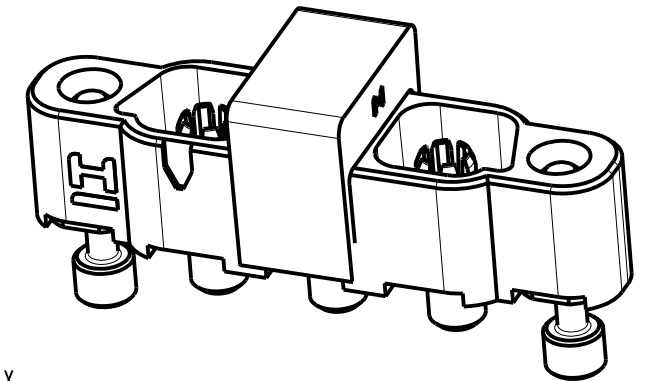
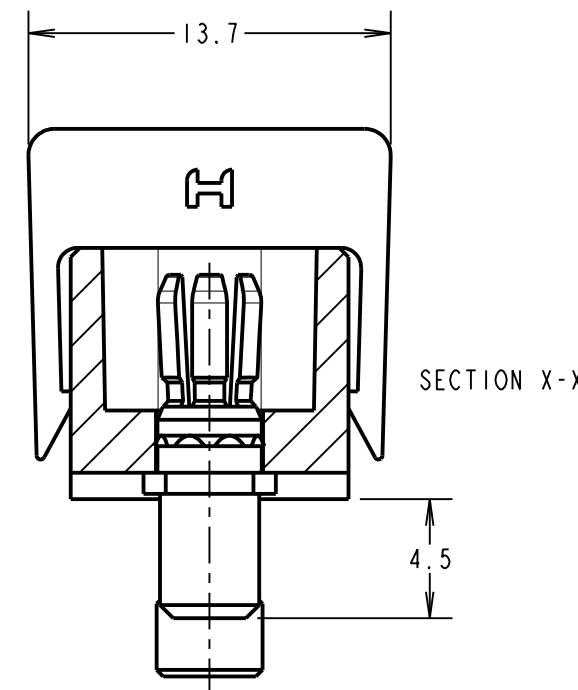
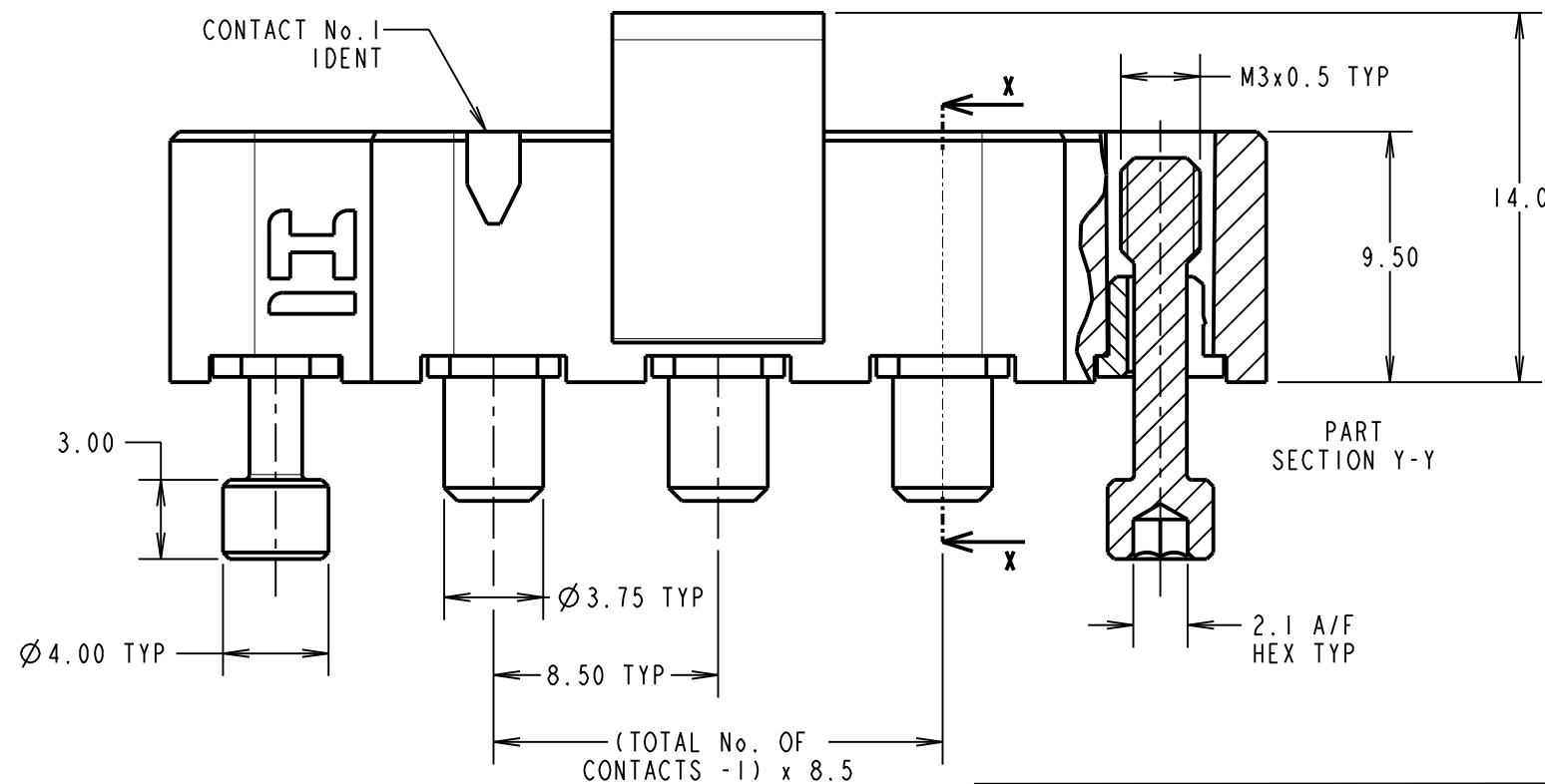
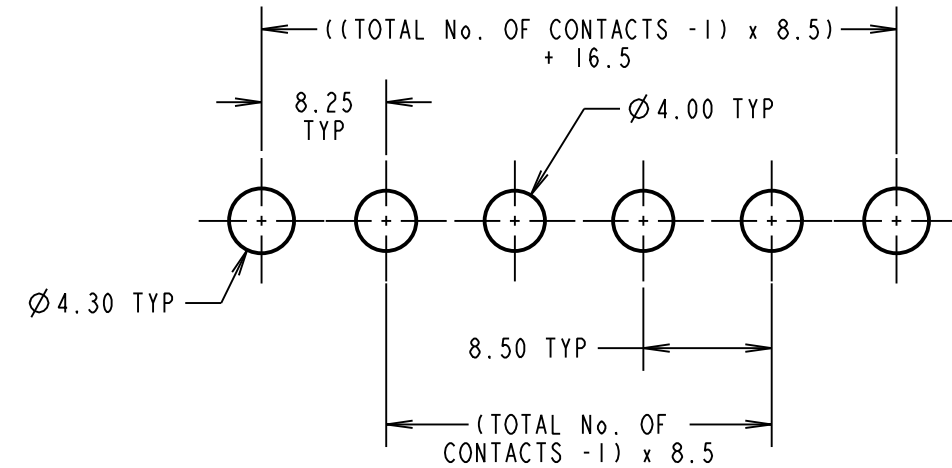
ORDER CODE:

KAI-MVIXX05M2

TOTAL No. OF CONTACTS
02, 03, 04



RECOMMENDED PCB LAYOUT
(TOLERANCE = ± 0.05)



RA	3	22.09.21	30966
NAME	ISS.	DATE	CN/CO
APPROVED: R.ALEXANDER			
CHECKED: R.PORTLOCK			
DRAWN: M.RUDKIN			
CUSTOMER REF.:			
ASSEMBLY DRG:			
SEE TABLE 2			

HARWIN

www.harwin.com
technical@harwin.com

THIS DRAWING AND ANY INFORMATION OR DESCRIPTIVE MATTER SET OUT HEREON ARE CONFIDENTIAL AND COPYRIGHT PROPERTY OF THE HARWIN GROUP AND MUST NOT BE DISCLOSED, LOANED, COPIED OR USED FOR MANUFACTURING, TENDERING OR FOR ANY OTHER PURPOSE WITHOUT THEIR WRITTEN PERMISSION.

TOLERANCES

X. = ± 1 mm
X.X = ± 0.50 mm
X.XX = ± 0.20 mm
X.XXX = ± 0.01 mm
ANGLES = $\pm 5^\circ$
UNLESS STATED

MATERIAL:

SEE ABOVE

FINISH:

SEE ABOVE

S/AREA:

mm²

TITLE:

KONA SERIES - MALE
VERTICAL PCT CONNECTOR

DRAWING NUMBER:

KAI-MVIXX05M2

SHT
4 OF 4