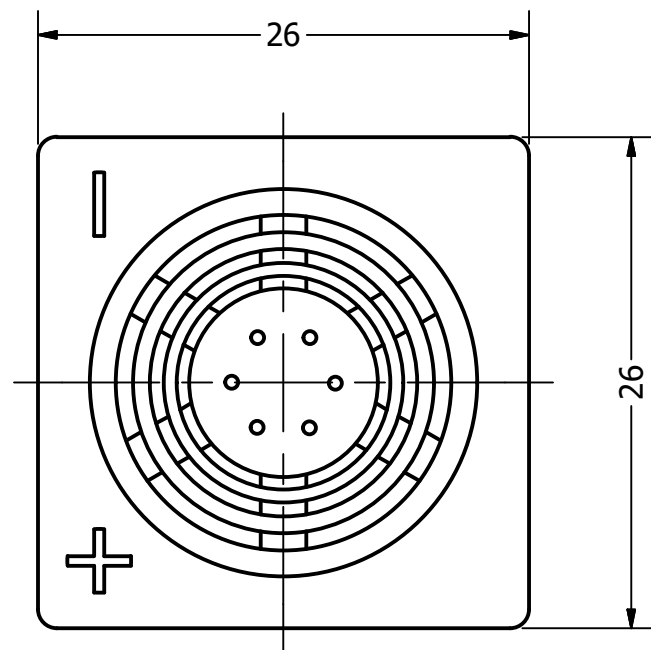




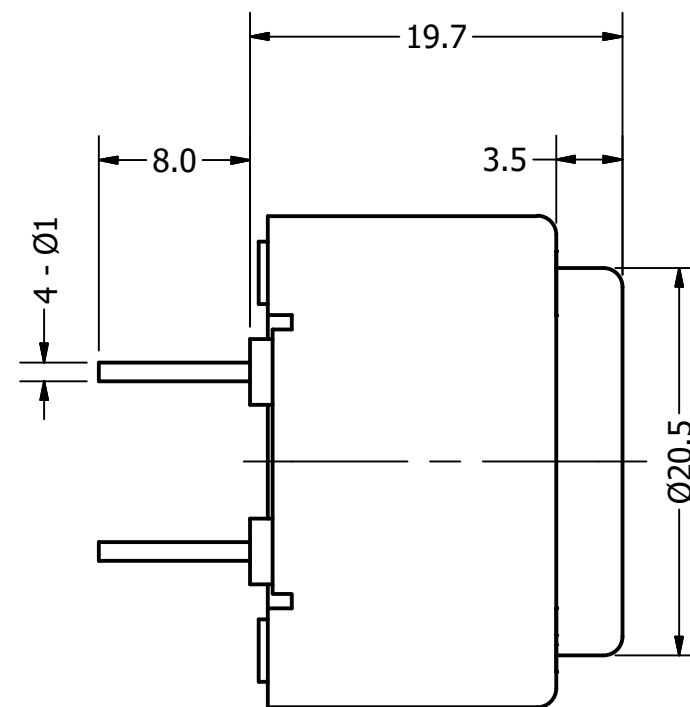
# DB UNLIMITED

Part Number:	IE260412-1	
	DRAWN CJ	10/12/2017
Description:	CHECKED	11/2/2017
	P.D.	
	APPROVED C.E.	11/2/2017
This document contains data proprietary to DB Unlimited. Any use or reproduction, in any form, without prior written permission of DB Unlimited is prohibited. All terms and conditions can be found at <a href="http://www.dbunlimitedco.com">www.dbunlimitedco.com</a>		

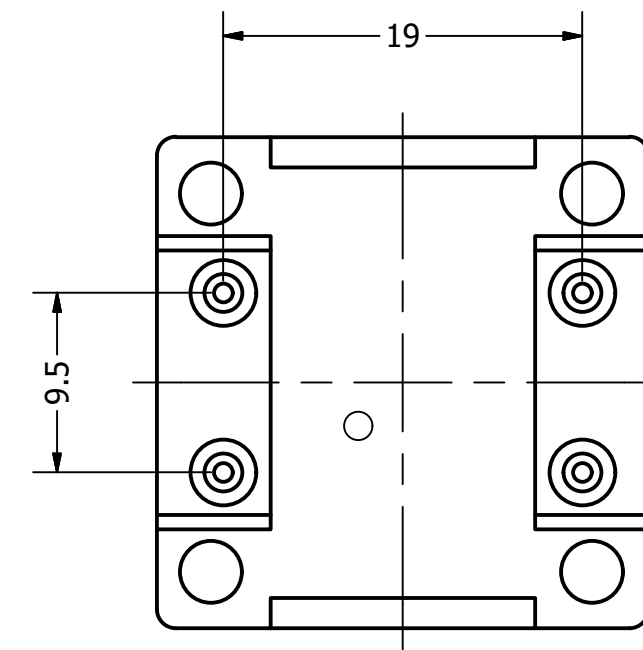
Top View



Side View



Bottom View



Items	Specifications	Conditions
Min. Sound Pressure Level	95	dB (@ 10cm)
Tone	Single	
Resonant Frequency	400 ± 100	Hz
Rated Voltage	12	V
Voltage Range	8 ~ 16	V
Max. Rated Current	50	mA
Storage Temperature	-40 ~ +85	°C
Operating Temperature	-30 ~ +70	°C
Connection Method	PC Pins	
Mount Type	Thru Hole	
Housing Material	ABS	
Weight	17	g

REVISION HISTORY

REV	DESCRIPTION	DATE	APPROVED
	Released from Engineering	10/21/2013	J.S.
1	Update temperature, drawing to new template	11/2/2017	C.E.

NOTES

- 1) All dimensions are in mm unless otherwise noted
- 2) All tolerances are ± 0.5 mm unless otherwise noted
- 3) All parts meet RoHS
- 4) Subject to change or redrawn without notice