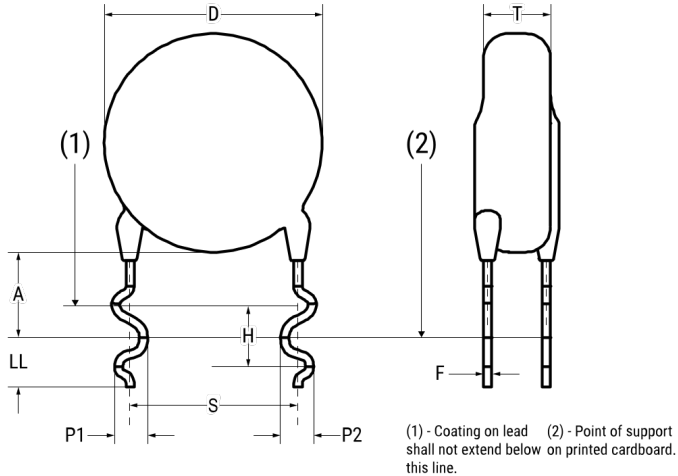


ERP610W152KQH0

Aliases (C834QH152K760XV761, ERP610VH4150KQH0)

Obsolete

ERP610 SFTY X1-760 Y1-500, Ceramic, 1500 pF, 10%, 760 VAC (X1), 500 VAC (Y1), Y5U, Lead Spacing = 12.5mm



Click [here](#) for the 3D model.

Dimensions

D	10mm MAX
H	3.3mm +/-0.3mm
T	5mm MAX
S	12.5mm NOM
LL	3.5mm MIN
F	0.8mm +/-0.05mm
A	7mm +/-1.5mm
V	2.1mm +/-0.5mm

Packaging Specifications

Packaging Bulk, Bag

General Information

Series	ERP610 SFTY X1-760 Y1-500
Style	Radial Disc
Description	Ceramic Single Layer Safety Disc Capacitors
RoHS	Yes
Termination	Tin
Qualifications	UL, CSA, CAN, ENEC, VDE
AEC-Q200	No

Specifications

Capacitance	1500 pF
Capacitance Tolerance	10%
Voltage AC	760 VAC (X1), 500 VAC (Y1)
Temperature Range	-40/+125°C
Temperature Coefficient	Y5U
Dissipation Factor	2.5%
Insulation Resistance	10 GOhms
Safety Class	X1/Y1