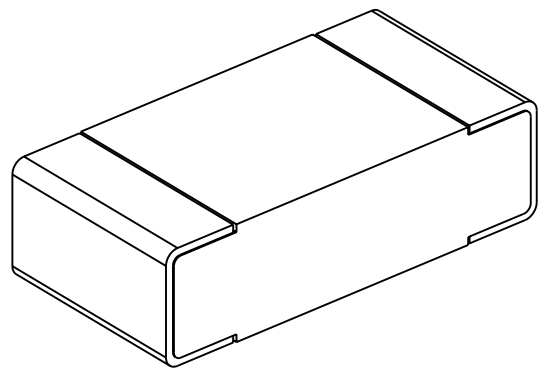
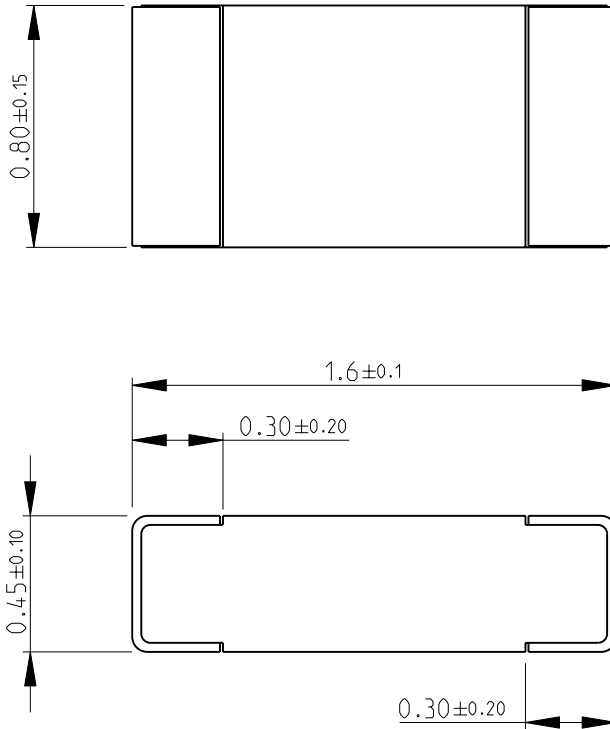


LOC	DIST	REVISIONS					
E	B	P	LTR	DESCRIPTION	DATE	DWN	APVD
			BA	NEW RELEASE	03-NOV-08	SM	St.P

FOR FURTHER INFORMATION SEE DATA SHEET FOR
CRG SERIES-THICK FILM CHIP RESISTORS



RoHS Compliant

2008

RELEASED FOR PUBLICATION

THIS DRAWING IS UNPUBLISHED.

© COPYRIGHT 2008 BY TYCO ELECTRONICS CORPORATION. ALL RIGHTS RESERVED.

DIMENSIONS: mm	DWN	SUBHASH.M	03-NOV-08	MATERIAL	-	FINISH	-
	CHK	PRAKASH.S	03-NOV-08	Tyco Electronics Corporation Dorcan, Swindon, SN3 5HH			
TOLERANCES UNLESS OTHERWISE SPECIFIED:	APVD	STEPHEN.P	03-NOV-08				
0 PLC ±0.5	PRODUCT SPEC	-		NAME THICK FILM CHIP RESISTORS			
1 PLC ±0.2	APPLICATION SPEC	-		SERIES CRG 0603			
2 PLC ±0.1	WEIGHT	-		SIZE	A 4	CAGE CODE	00779
3 PLC ±-				DRAWING NO	C= 1622871		RESTRICTED TO
4 PLC ±-							
ANGLES ±5°							
				CUSTOMER DRAWING			
				SCALE	40:1	SHEET	1 OF 1
				REV BA			