

CBRDFSH2-40
 CBRDFSH2-60
 CBRDFSH2-100

**SURFACE MOUNT
 2.0 AMP SILICON
 SCHOTTKY BRIDGE RECTIFIERS**



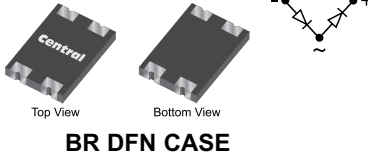
www.centrasemi.com

DESCRIPTION:

The CENTRAL SEMICONDUCTOR CBRDFSH2-40, CBRDFSH2-60, and CBRDFSH2-100 are 2.0 Amp full wave bridge rectifiers mounted in a durable epoxy surface mount case, utilizing glass passivated chips.

**MARKING CODES: CBRDFSH2-40: SH2-40
 CBRDFSH2-60: SH2-60
 CBRDFSH2-100: SH2100**

BRIDGE



MAXIMUM RATINGS: ($T_A=25^{\circ}\text{C}$ unless otherwise noted)

| | SYMBOL | CBRDFSH2 | | | UNITS |
|------------------------------------------------------|----------------|-------------|------------|-------------|--------------------|
| | | <u>-40</u> | <u>-60</u> | <u>-100</u> | |
| Peak Repetitive Reverse Voltage | V_{RRM} | 40 | 60 | 100 | V |
| DC Blocking Voltage | V_R | 40 | 60 | 100 | V |
| RMS Reverse Voltage | $V_{R(RMS)}$ | 28 | 42 | 70 | V |
| Average Forward Current ($T_A=50^{\circ}\text{C}$) | I_O | | 2.0 | | A |
| Peak Forward Surge Current (8.3ms) | I_{FSM} | | 50 | | A |
| Operating and Storage Junction Temperature | T_J, T_{stg} | -55 to +125 | | | $^{\circ}\text{C}$ |

ELECTRICAL CHARACTERISTICS PER DIODE: ($T_A=25^{\circ}\text{C}$ unless otherwise noted)

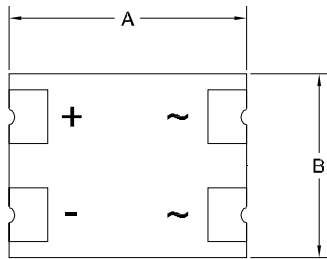
| SYMBOL | TEST CONDITIONS | TYP | MAX | UNITS |
|--------|---------------------------------------|-----|-----|---------------|
| I_R | $V_R=40\text{V}$ (CBRDFSH2-40) | 25 | 200 | μA |
| I_R | $V_R=60\text{V}$ (CBRDFSH2-60) | 15 | 200 | μA |
| I_R | $V_R=100\text{V}$ (CBRDFSH2-100) | 0.5 | 200 | μA |
| V_F | $I_F=2.0\text{A}$ (CBRDFSH2-40) | 490 | 520 | mV |
| V_F | $I_F=2.0\text{A}$ (CBRDFSH2-60) | 600 | 750 | mV |
| V_F | $I_F=2.0\text{A}$ (CBRDFSH2-100) | 800 | 850 | mV |
| C_J | $V_R=4.0\text{V}$, $f=1.0\text{MHz}$ | | 250 | pF |

CBRDFSH2-40
 CBRDFSH2-60
 CBRDFSH2-100

SURFACE MOUNT
 2.0 AMP SILICON
 SCHOTTKY BRIDGE RECTIFIERS



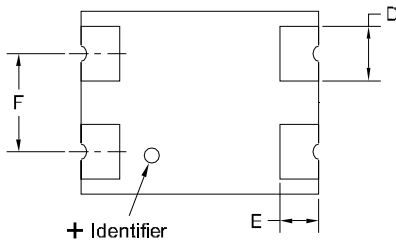
BR DFN CASE - MECHANICAL OUTLINE



TOP VIEW



SIDE VIEW

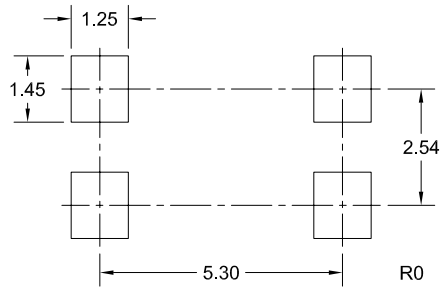


BOTTOM VIEW R2

| DIMENSIONS | | | | |
|------------|--------|-------|-------------|------|
| SYMBOL | INCHES | | MILLIMETERS | |
| | MIN | MAX | MIN | MAX |
| A | 0.238 | 0.246 | 6.05 | 6.25 |
| B | 0.183 | 0.191 | 4.65 | 4.85 |
| C | 0.032 | 0.048 | 0.81 | 1.22 |
| D | 0.051 | 0.059 | 1.30 | 1.50 |
| E | 0.037 | 0.041 | 0.95 | 1.05 |
| F | 0.098 | 0.102 | 2.49 | 2.59 |

BR DFN (REV: R2)

SUGGESTED MOUNTING PADS
 (Dimensions in mm)



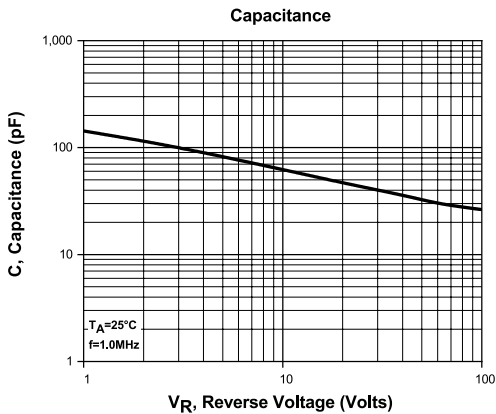
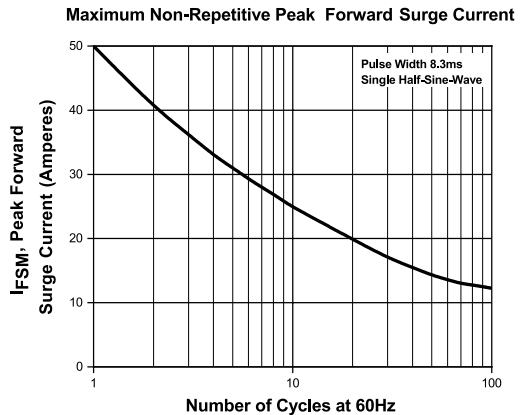
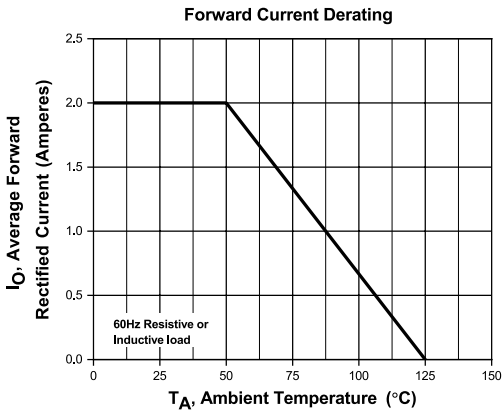
MARKING CODES: CBRDFSH2-40: SH2-40
CBRDFSH2-60: SH2-60
CBRDFSH2-100: SH2100

CBRDFSH2-40
 CBRDFSH2-60
 CBRDFSH2-100

SURFACE MOUNT
 2.0 AMP SILICON
 SCHOTTKY BRIDGE RECTIFIERS



TYPICAL ELECTRICAL CHARACTERISTICS

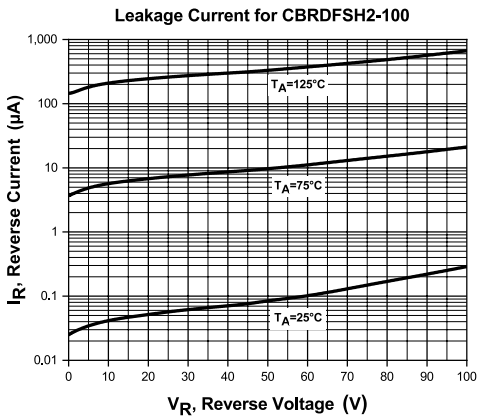
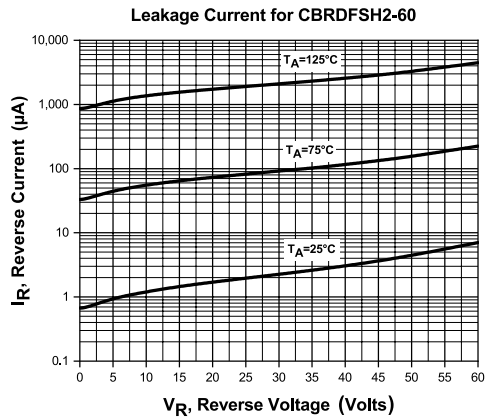
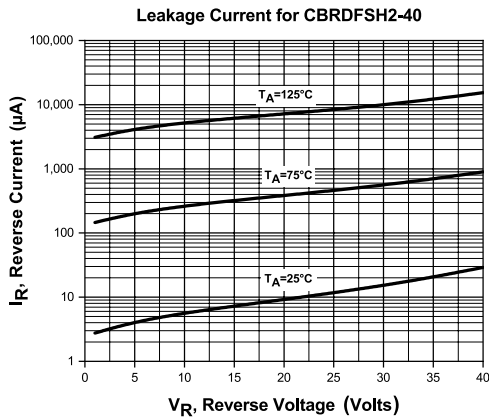


CBRDFSH2-40
 CBRDFSH2-60
 CBRDFSH2-100

SURFACE MOUNT
 2.0 AMP SILICON
 SCHOTTKY BRIDGE RECTIFIERS



TYPICAL ELECTRICAL CHARACTERISTICS

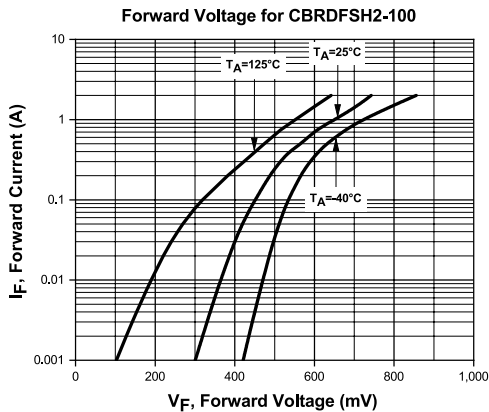
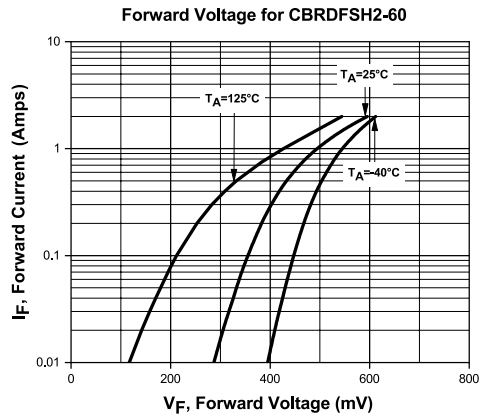
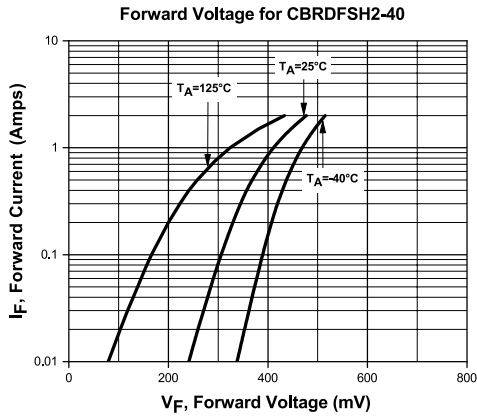


CBRDFSH2-40
CBRDFSH2-60
CBRDFSH2-100

SURFACE MOUNT
2.0 AMP SILICON
SCHOTTKY BRIDGE RECTIFIERS



TYPICAL ELECTRICAL CHARACTERISTICS



OUTSTANDING SUPPORT AND SUPERIOR SERVICES



PRODUCT SUPPORT

Central's operations team provides the highest level of support to insure product is delivered on-time.

- Supply management (Customer portals)
- Inventory bonding
- Consolidated shipping options
- Custom bar coding for shipments
- Custom product packing

DESIGNER SUPPORT/SERVICES

Central's applications engineering team is ready to discuss your design challenges. Just ask.

- Free quick ship samples (2nd day air)
- Online technical data and parametric search
- SPICE models
- Custom electrical curves
- Environmental regulation compliance
- Customer specific screening
- Up-screening capabilities
- Special wafer diffusions
- PbSn plating options
- Package details
- Application notes
- Application and design sample kits
- Custom product and package development

REQUESTING PRODUCT PLATING

1. If requesting Tin/Lead plated devices, add the suffix "TIN/LEAD" to the part number when ordering (example: 2N2222A TIN/LEAD).
2. If requesting Lead (Pb) Free plated devices, add the suffix "PBFREE" to the part number when ordering (example: 2N2222A PBFREE).

CONTACT US

Corporate Headquarters & Customer Support Team

Central Semiconductor Corp.
145 Adams Avenue
Hauppauge, NY 11788 USA
Main Tel: (631) 435-1110
Main Fax: (631) 435-1824
Support Team Fax: (631) 435-3388
www.centrasemi.com

Worldwide Field Representatives:
www.centrasemi.com/wwreps

Worldwide Distributors:
www.centrasemi.com/wwdistributors

For the latest version of Central Semiconductor's **LIMITATIONS AND DAMAGES DISCLAIMER**, which is part of Central's Standard Terms and Conditions of sale, visit: www.centrasemi.com/terms