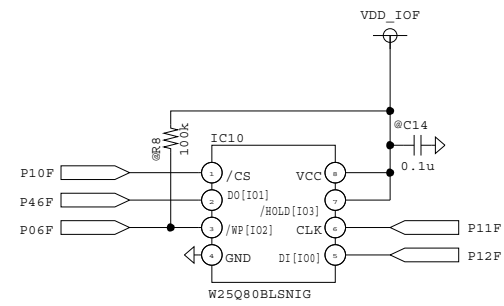
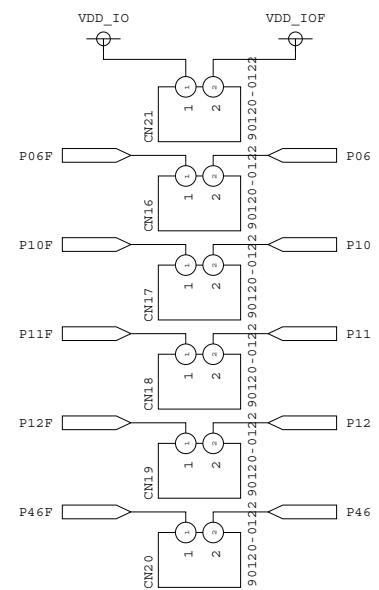


DRAW	DESIGN	CHECK	APPROVAL	TITLE
				FILE SN82XX EVB JZ150
				DATE 12/17/2012 Rev V1.0
				1/2



DRAW	DESIGN	CHECK	APPROVAL	TITLE
				FILE SN82XX EVB JZ150
				DATE 02/21/2013 Rev V1.1 2/2