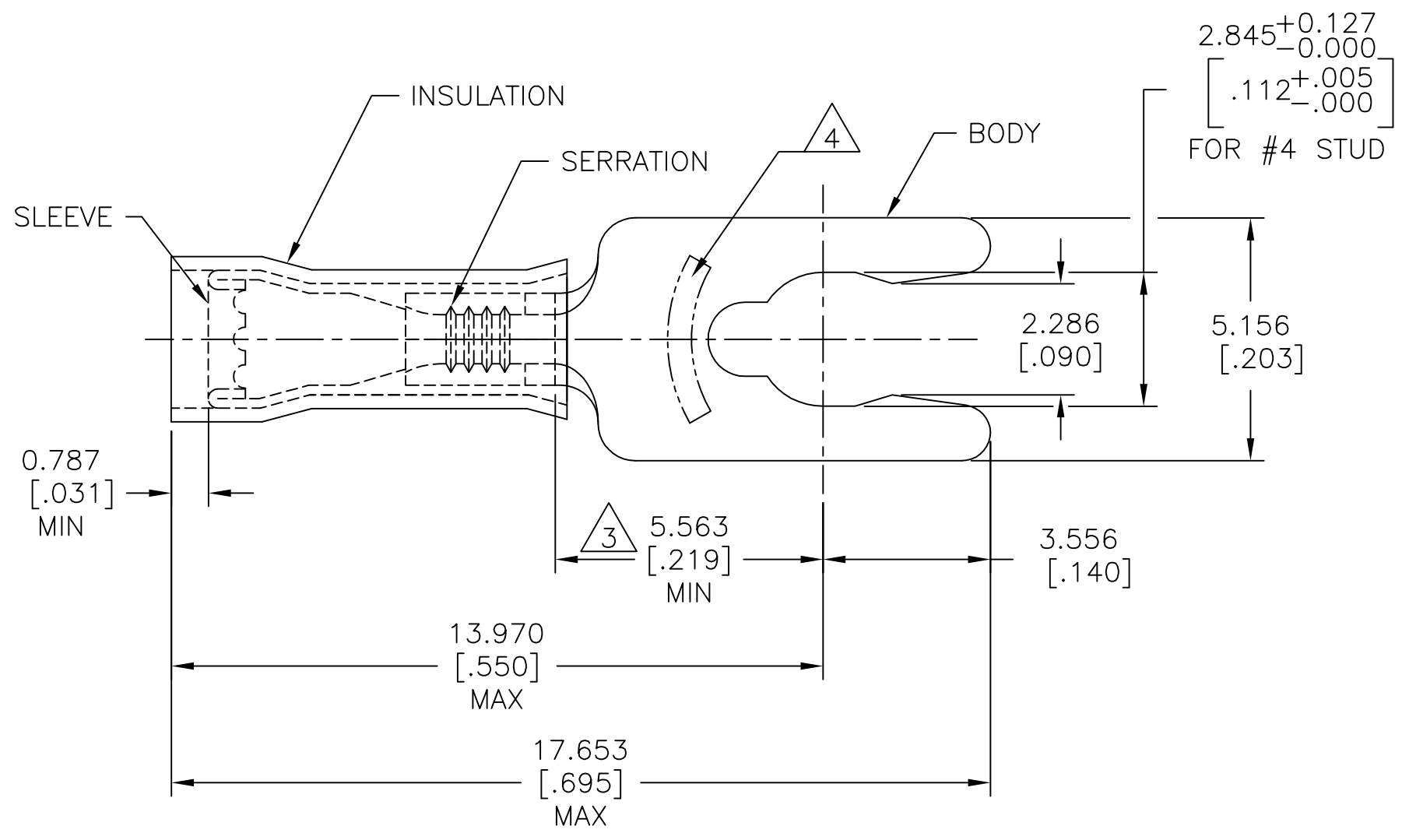
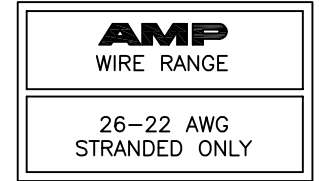


REVISIONS					
P	LTR	DESCRIPTION	DATE	DWN	APVD
	F	REV & REDRAWN PER ECR 10-005247	09MAR10	JR	TM
	F1	REVISED PER ECO-17-007400	28NOV2017	RS	DR



- 1 FOR $\phi 1.270-2.083[\phi .050-.082]$ WIRE INSULATION.
- 2 BODY MATERIAL THK = $0.457 \pm 0.051[.018 \pm .002]$
- 3 APPLIES FROM THE METAL EDGE OF THE BARREL TO THE CENTER OF THE STUD.
- 4 STAMP 4S AMP APPROX AS SHOWN.
- 5 MATERIAL:
 BODY : PHOS. BRONZE PER ASTM-B103
 SLEEVE : COPPER PER ASTM-B152
 INSULATION : NYLON PER ASTM-D4066 TYPE 1.
- 6 FINISH:
 BODY & SLEEVE : TIN PLATE PER ASTM-B545
 INSULATION : COLOR-YELLOW.

5000	ON TAPE	52922-1
1000	LOOSE PIECE	52922
QTY	PACKAGE TYPE	PART NO

AMP INCORPORATED CUSTOMER SERVICE SYSTEMS		MAX RECOMMENDED OPERATING TEMPERATURE: 105°C [221°F]	THIS DRAWING IS A CONTROLLED DOCUMENT.		DWN jr_ruth 09MAR10	TE Connectivity WIRE TERMINAL, PIDG, SPRING SPADE WIRE SIZE: 26-22			
FOR ADDITIONAL PRODUCT INFORMATION OR COPIES OF DRAWINGS AND TECHNICAL DOCUMENTS	PRODUCT INFORMATION CENTER 1-800-522-6752	VOLTAGE RATING: 300 V MAX	DIMENSIONS: mm [INCHES]	TOLERANCES UNLESS OTHERWISE SPECIFIED:	CHK TOM MICHIELUTTI 09MAR10				
FOR APPLICATION TOOLING INFORMATION	TOOLING ASSISTANCE CENTER 1-800-722-1111	CIRCULAR MIL AREA: 0.10-0.41mm² [202-810] STRANDED		0 PLC ± - 1 PLC ± - 2 PLC ± - 3 PLC ± 0.127[.005] 4 PLC ± - ANGLES ± 5°	APVD TOM MICHIELUTTI 09MAR10	APPLICATION SPEC			
FOR ORDER ENTRY	1-800-526-5142	THIS DRAWING IS A CONTROLLED DOCUMENT FOR AMP INCORPORATED. IT IS SUBJECT TO CHANGE AND THE CONTROLLING ENGINEERING ORGANIZATION SHOULD BE CONTACTED FOR THE LATEST REVISION.	MATERIAL 5	FINISH 6	PRODUCT SPEC -	SIZE A3	CAGE CODE 00779	DRAWING NO C=52922	RESTRICTED TO -
					114-2157	SCALE 8:1		SHEET 1 OF 1	REV F1