

**Ratings**

Voltage: 300 V  
 Temperature: -40~105 °C  
 Flammability: VW-1

**Conductor**

Conductor count: 6  
 Gauge: 20 AWG 0.52 mm<sup>2</sup>  
 Material: tinned copper strands  
 Strand size:  $\varnothing 0.127 \times 41$   
 Resistance at 20 °C: 36.7  $\Omega$  /km max

**Insulator**

Material: FEP  
 Color: red, black, white, yellow, blue, green  
 Diameter:  $\varnothing 1.25 \pm 0.10$   
 Nominal thickness: 0.13 mm  
 Resistance at 20 °C: 10 M $\Omega$  /km min

**Filler**

Material: aramid fiber

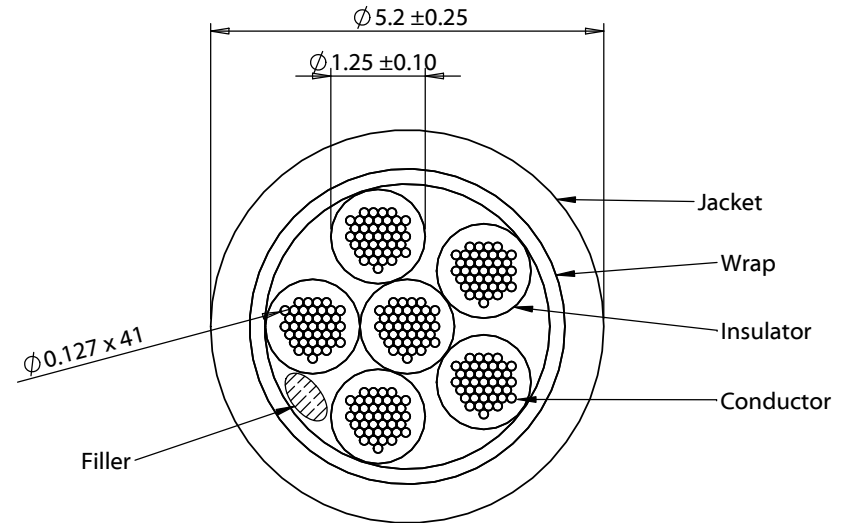
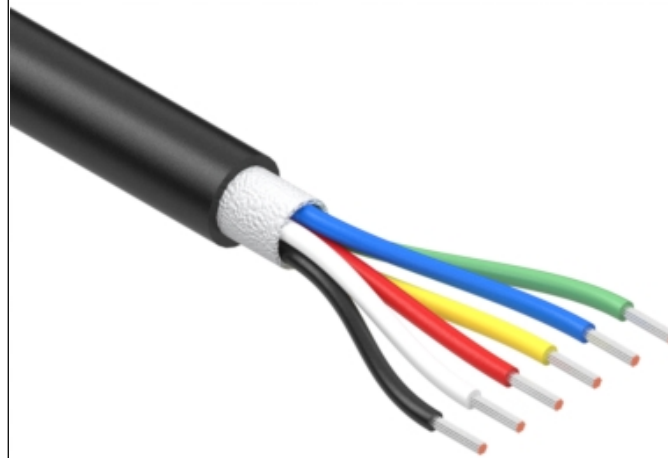
**Wrap**

Material: cotton paper

**Outer jacket**

Material: TPE  
 Color: black  
 Diameter:  $\varnothing 5.2 \pm 0.25$   
 Nominal thickness: 0.6 mm

**Wire marking:** E339579 UL AWM STYLE 21296 20 AWG 105°C 300V VW-1 --- cUL AWM I A 105°C 300V FT1 TENSILITY DGT



Revision:	Date:	Description:	Prepared:	Notes: RoHS compliant Phthalate free Function test: no open, no short circuit, no intermittent	<h1>TENSILITY</h1> <p>tel 1.541.323.3228 800 877.670.7118                  fax 1.541.323.4202 web tensility.com</p>	
A	4/28/2021	Initial release	Verified:			
			Dimensions are in millimeters. Tolerances: X: ± 0.5 mm X.X: ± 0.3 mm X.XX: ± 0.05 mm	Description:	Size: Part number:	
				Wire, 6C TS, 20 AWG, UL 21296, 300V, 105C, 5.2 mm, TPE	A 30-01933	
				Scale: 10:1		Sheet 1 of 1

5

4

3

2

1