

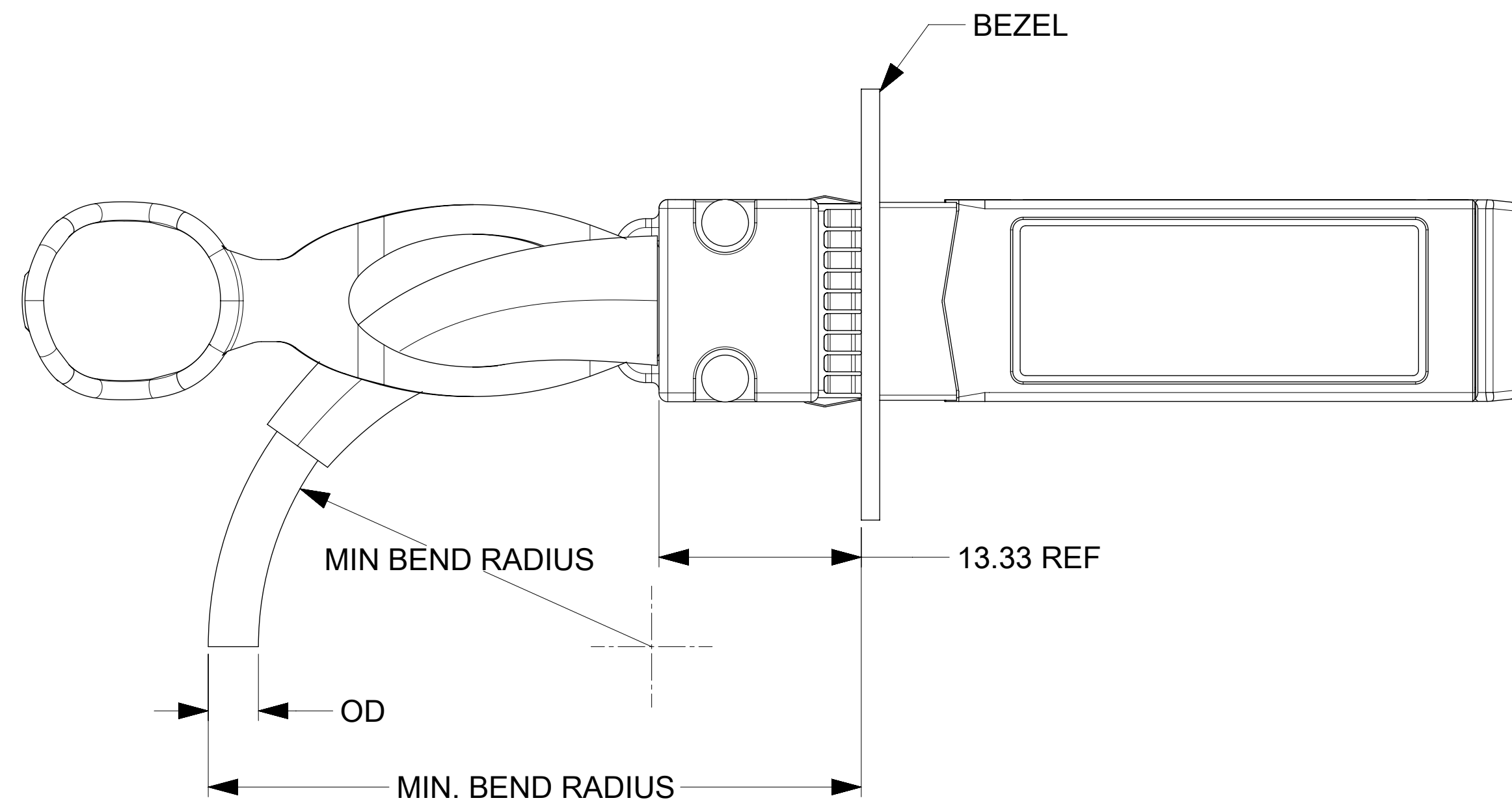
MOLEX P/N	LENGTH(M)	TOL.(M)	AWG	RAW CABLE
2058961052	0.5	0.05	30	TEMP-FLEX
2058961102	1.0	0.05	30	
2058961152	1.5	0.08	30	
2058961202	2.0	0.08	30	
2058963102	1.0	0.05	26	
2058963152	1.5	0.08	26	
2058963202	2.0	0.08	26	
2058963252	2.5	0.08	26	
2058963302	3.0	0.08	26	

- NOTES:**
- MATERIALS**
BACKSHELLS - NICKEL PLATED ZINC
DE-LATCH - PLASTIC
 - IMPEDANCE - 100 OHMS DIFFERENTIAL**
 - RoHS COMPLIANT, NO EXEMPTIONS**
 - EEPROM COMPLIANT TO SFF-8472 REV 12.2**
 - EEPROM MAP AVAILABLE UPON REQUEST.**

THIS DRAWING CONTAINS INFORMATION THAT IS PROPRIETARY TO MOLEX ELECTRONIC TECHNOLOGIES, LLC AND SHOULD NOT BE USED WITHOUT WRITTEN PERMISSION

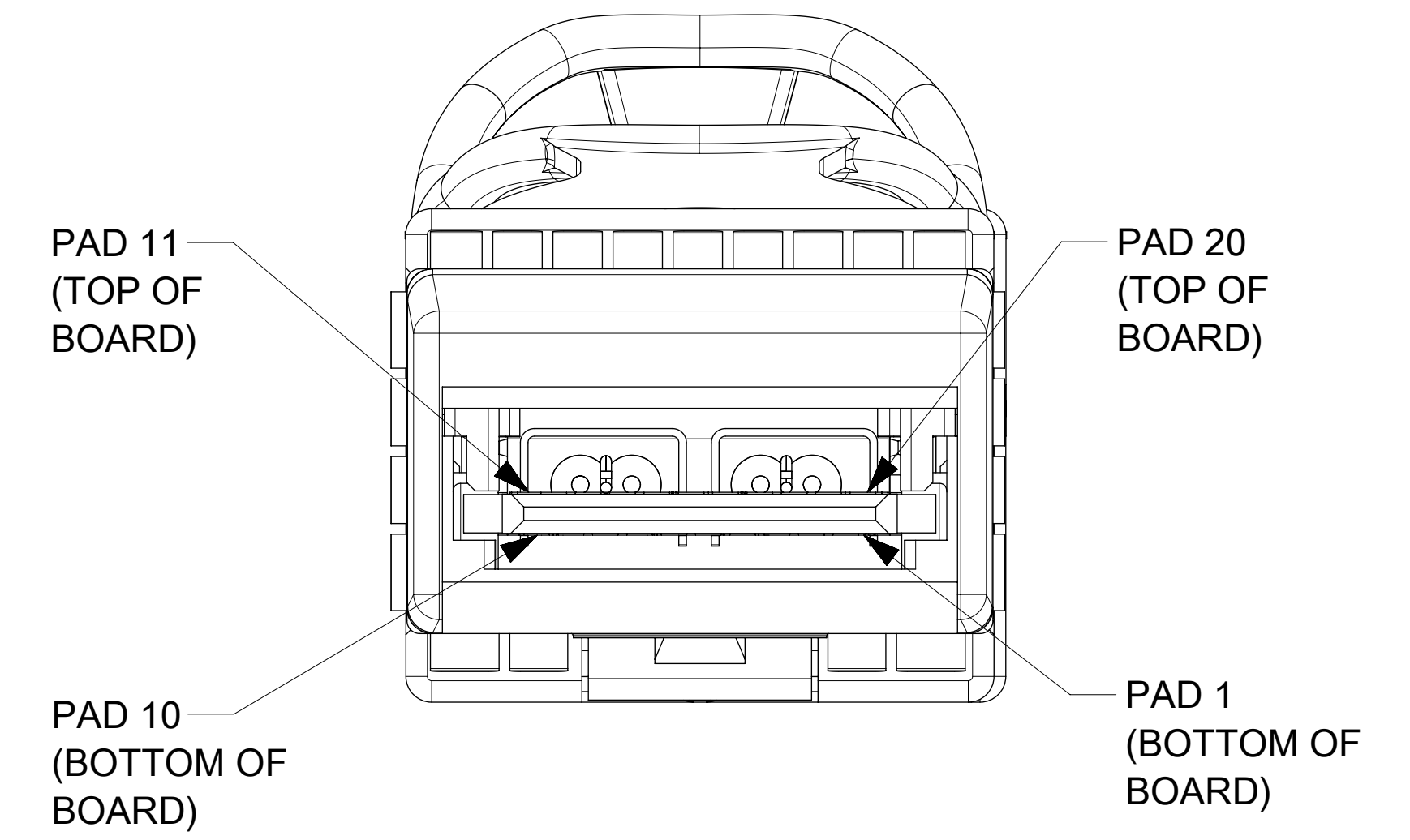
CORRECTED TYPO ERROR	2018/02/05	GENERAL TOLERANCES (UNLESS SPECIFIED)	DIMENSION UNITS	SCALE				
	2018/02/07	ANGULAR TOL ± 2.0 °	mm	2:1				
	2018/02/07	4 PLACES ±	DRWN BY	DATE				
	2018/02/07	3 PLACES ±	SJKG	2017/09/11				
EC NO: 171928	2018/02/07	2 PLACES ± 0.13	CHKD BY	DATE	ZSFP+ TO ZSFP+ PAM4 56G CABLE ASSEMBLY			
	2018/02/07	1 PLACE ± 0.25	KNAGANNA	2017/11/22				
	2018/02/07	0 PLACES ±	APPR BY	DATE				
	2018/02/07	DRAFT WHERE APPLICABLE MUST REMAIN WITHIN DIMENSIONS	ARAYBURN	2017/12/02				
A1		DRAWING SIZE	THIRD ANGLE PROJECTION		PRODUCT CUSTOMER DRAWING			
			D		SERIES	MATERIAL NUMBER	CUSTOMER	
					205896	SEE P/N TABLE	GENERAL MARKET	
					DOCUMENT NUMBER	DOC TYPE	DOC PART	SHEET NUMBER
					2058961052	PSD	000	1 OF 3

CABLE BEND RADIUS



CABLE AWG	OD	MIN BEND RADIUS (mm)	MIN BEND SPACE (mm)
30	4.83	24	42
26	5.80	29	48

PINOUT



P1 END				P2 END	
PAD	SIGNAL			PAD	SIGNAL
12	RD-	<-----		19	TD-
13	RD+	<-----		18	TD+
18	TD+	----->		13	RD+
19	TD-	----->		12	RD-
02	Tx_Fault	NC	NC	02	Tx_Fault
03	Tx_Disable	NC	NC	03	Tx_Disable
04	SDA	■	■	04	SDA
05	SCL	■	■	05	SCL
06	Mod_ABS	NC	NC	06	Mod_ABS
07	RS0	NC	NC	07	RS0
08	Rx_LOS	NC	NC	08	Rx_LOS
09	RS1	NC	NC	09	RS1
15	VccR	NC	NC	15	VccR
16	VccT	NC	NC	16	VccT

LEGEND:

-----> - THRU LINES

NC - NOT CONNECTED

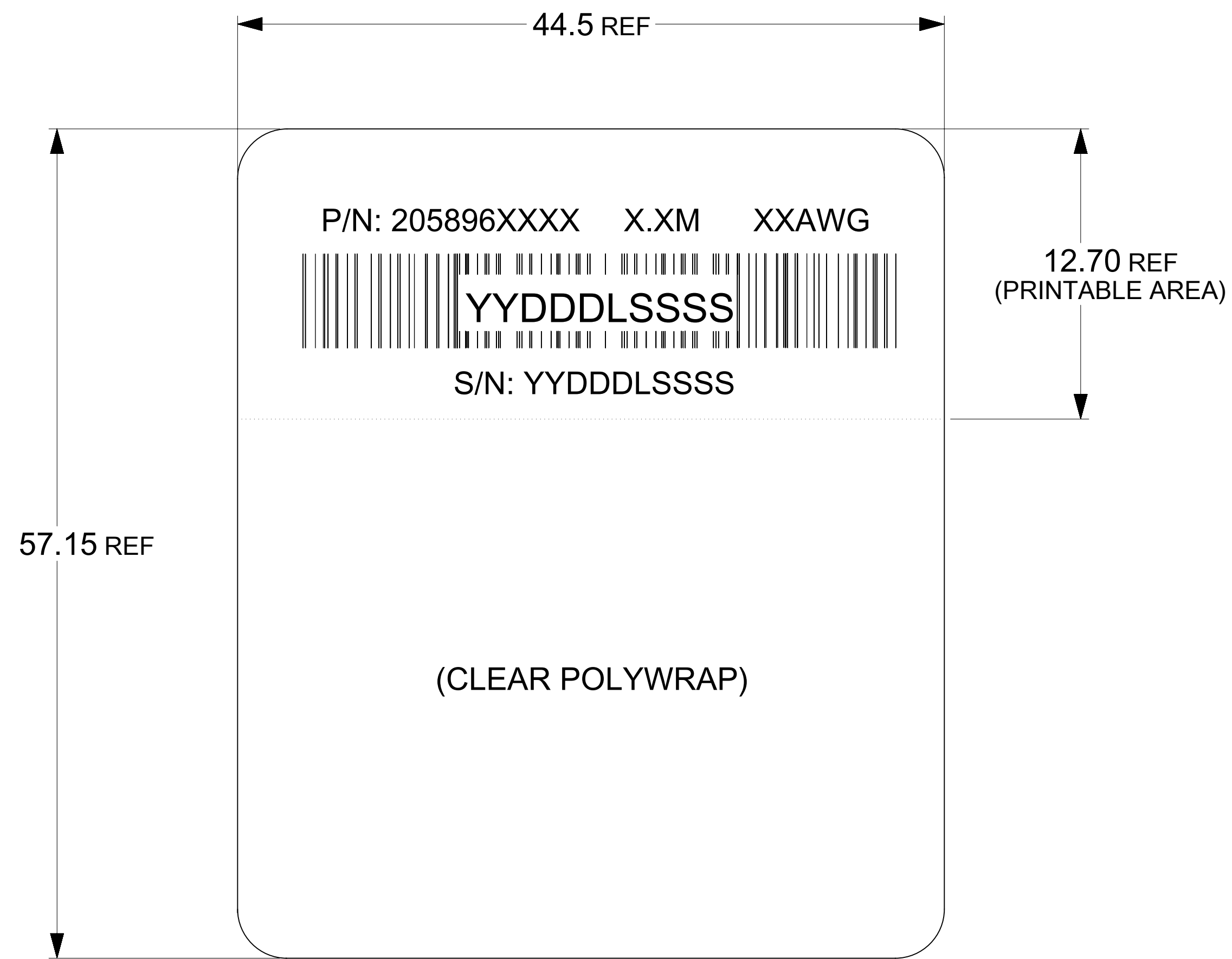
■ - CONNECTION TO A DEVICE ON THE PCB

NOTES:

- DC BLOCKING CAPS ON RECEIVE SIDE ONLY
- CABLE COILED AND PACKAGED IN BEST FIT ESD BAG AND SEALED WITH ESD LABEL FOR SHIPPING

THIS DRAWING CONTAINS INFORMATION THAT IS PROPRIETARY TO MOLEX ELECTRONIC TECHNOLOGIES, LLC AND SHOULD NOT BE USED WITHOUT WRITTEN PERMISSION

CORRECTED TYPO ERROR	2018/02/05	GENERAL TOLERANCES (UNLESS SPECIFIED)	DIMENSION UNITS	SCALE	molex			
	2018/02/07		mm	7:1				
	2018/02/07		ANGULAR TOL ± 2.0 °	DRWN BY		DATE		
	2018/02/07		4 PLACES ±	SJKG		2017/09/11		
EC NO: 171928	DRWN: SJKG	DRAFT WHERE APPLICABLE MUST REMAIN WITHIN DIMENSIONS	3 PLACES ±	CHKD BY	DATE			
	CHKD: SJKG		2 PLACES ± 0.13	KNAGANNA	2017/11/22			
	REV: APPR: ARAYBURN		1 PLACE ± 0.25	APPR BY	DATE			
	0 PLACES ±		ARAYBURN	2017/12/02				
A1			DRAWING SIZE	THIRD ANGLE PROJECTION	SERIES	MATERIAL NUMBER	CUSTOMER	
			D		205896	SEE P/N TABLE	GENERAL MARKET	
					DOCUMENT NUMBER	DOC TYPE	DOC PART	SHEET NUMBER
					2058961052	PSD	000	2 OF 3



P/N: 205896XXXX - MOLEX PART NUMBER (SEE P/N TABLE)

X.XM - CABLE LENGTH IN METERS (EXAMPLES - 0.5M, 1.0M, 1.5M, SEE P/N TABLE)

XXAWG - CABLE SIZE IN AWG (SEE P/N TABLE)

S/N: YYDDDLSSSS - SERIAL NUMBER

YY = YEAR, THE LAST TWO DIGIT OF THE YEAR

DDD = DAY OF THE YEAR

L = LOCATION

1 - USA

2 - MEXICO

3 - CHINA

4 - PHILIPPINES

SSSS = SERIAL NUMBER (0001-9999)

THIS DRAWING CONTAINS INFORMATION THAT IS PROPRIETARY TO MOLEX ELECTRONIC TECHNOLOGIES, LLC AND SHOULD NOT BE USED WITHOUT WRITTEN PERMISSION											
CORRECTED TYPO ERROR	2018/02/05	GENERAL TOLERANCES (UNLESS SPECIFIED)		DIMENSION UNITS	SCALE	molex ZSFP+ TO ZSFP+ PAM4 56G CABLE ASSEMBLY					
	2018/02/07	ANGULAR TOL ± 2.0 °		mm	1:1						
	2018/02/07	4 PLACES ±	DRWN BY	DATE		PRODUCT CUSTOMER DRAWING					
	2018/02/07	3 PLACES ±	SJKG	2017/09/11							
		2 PLACES ± 0.13	CHKD BY	DATE		SERIES MATERIAL NUMBER CUSTOMER 205896 SEE P/N TABLE GENERAL MARKET					
		1 PLACE ± 0.25	KNAGANNA	2017/11/22							
	0 PLACES ±	APPR BY	DATE		DOCUMENT NUMBER DOC TYPE DOC PART SHEET NUMBER 2058961052 PSD 000 3 OF 3						
		ARAYBURN	2017/12/02								
		DRAFT WHERE APPLICABLE MUST REMAIN WITHIN DIMENSIONS		DRAWING SIZE	THIRD ANGLE PROJECTION						
				D							