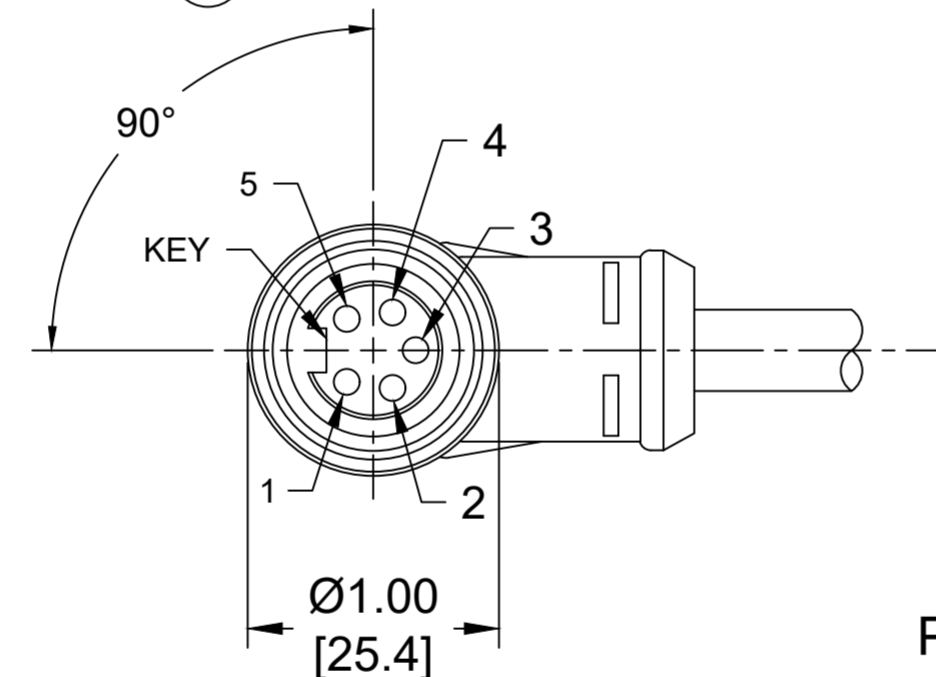
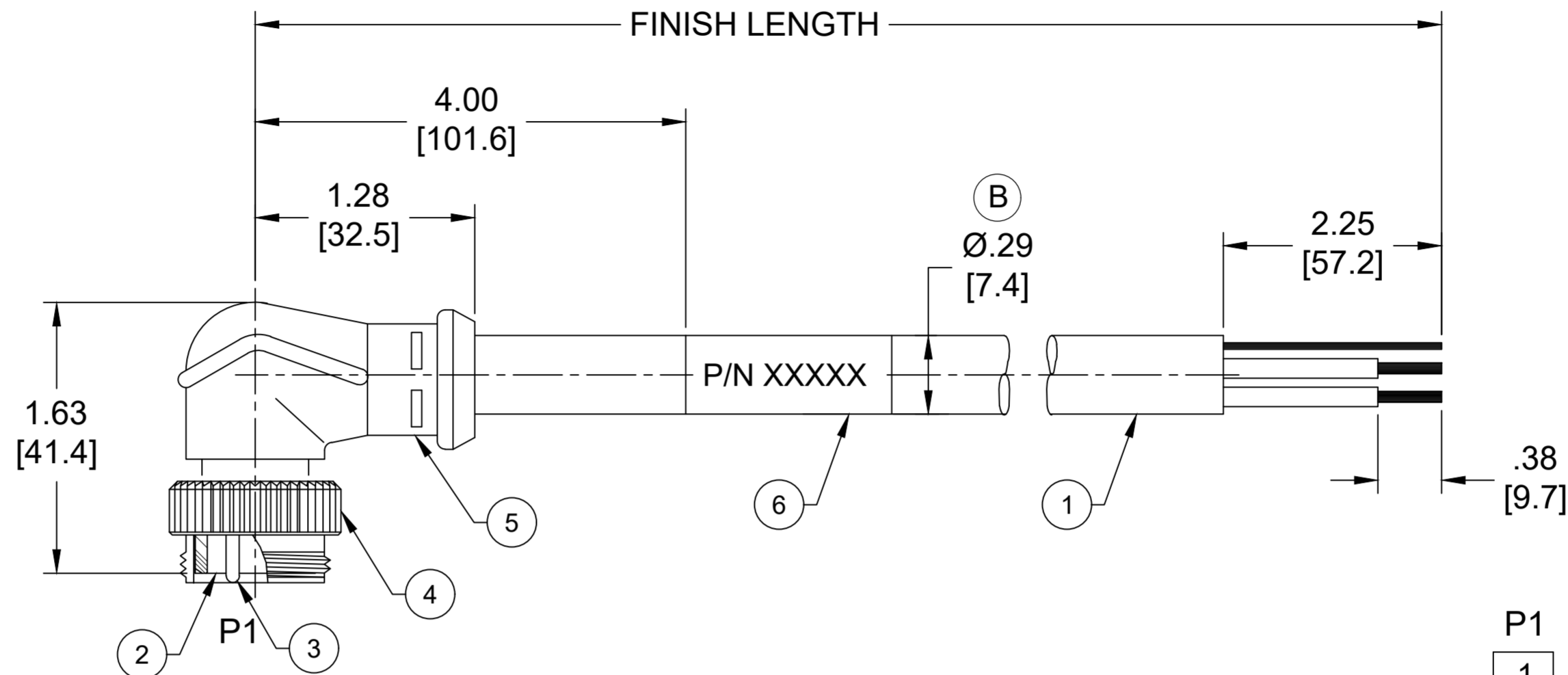


PART NO.	ENGINEERING NO.	FINISHED LENGTH
1300240207	DND09A-M010	1M [3FT 3 IN]
1300240003	DND09A-M030	3M [9FT 10 IN]
1300240210	DND09A-M060	6M [19FT 8 IN]



MALE FACE VIEW

P1	
1	DRAIN
2	RED
3	BLACK
4	WHITE
5	BLUE

WIRING DIAGRAM

NOTES:

1. MATERIAL: AS NOTED
2. FINISH: AS NOTED
3. ELECTRICAL:
VOLTAGE RATING PER IEC 60664: 300V
VOLTAGE RATING PER UL: 300V
CURRENT: 4A
4. TEMP RATING: -20° TO +80°C
5. PROTECTION: IP67 (WHEN MATED)
6. COUPLING THREAD: 7/8"-16UN
7. UL RECOGNIZED FILE: E152210
CSA CERTIFIED FILE: LR6837
8. ALL DIMENSIONS ARE FOR REFERENCE UNLESS TOLERANCED OR NOTED OTHERWISE

PART NUMBER LEGEND

DND09A-M010

CABLE LENGTH
M005= 0.5 METER
M010= 1 METER
M100= 10 METER

CABLE LENGTH TOLERANCES
<.3M [1FT]: +19mm-0 [+.75in-0]
.3 - .9M [1 - 3FT]: +44.5mm-0 [+1.75in-0]
.9 - 1.8M [3 - 6FT]: +55.6mm-0 [+2.19in-0]
1.8 - 3.7M [6 - 12FT]: +88.9mm-0 [+3.50in-0]
3.7 - 7.3M [12 - 24FT]: +165.1mm-0 [+6.50in-0]
7.3-14.6M [24 - 48FT]: +317.5mm-0 [+12.50in-0]
14.6 - 30.5M [48-100FT]: +622.3mm-0 [+24.50in-0]
OVER 30M [100FT] +2% OF FINISHED LENGTH

ITEM	COMPONENT	MATERIAL	FINISH
6	WRAP LABEL	VINYL	BLACK/YELLOW
5	OVERMOLD	TPE	GRAY
4	COUPLING NUT	ZINC DIE CAST	BLACK-E-COAT
3	CONTACT PIN	COPPER ALLOY	GOLD OVER NICKEL
2	INSERT	TPE	BLACK
1	CABLE 22 AWG, DEVICENET	PVC	GRAY

FUNCTIONAL SYMBOLS	THIS DRAWING CONTAINS INFORMATION THAT IS PROPRIETARY TO MOLEX ELECTRONIC TECHNOLOGIES, LLC AND SHOULD NOT BE USED WITHOUT WRITTEN PERMISSION									
	DIMENSION UNITS	SCALE		CURRENT REV DESC: ITEM #2 & #5 WERE PVC. ADDED CABLE DIA & TOL CHART. MODIFIED PN CHART						
INCH/MM	NTS		EC NO: 720800						MINI-CHANGE DEVICENET, A SIZE 5 POLE, MALE, 90DEG, SINGLE KEY, #22/4 AWG	
DIVISIONAL SYMBOLS	GENERAL TOLERANCES (UNLESS SPECIFIED)									
	mm		INCH		DRWN: ABENJAMINLW		2022/06/23		PRODUCT CUSTOMER DRAWING	
4 PLACES	±----	±----	APPR: BWOODMAN		2022/09/09		DOCUMENT NUMBER			
3 PLACES	±----	±----	INITIAL REVISION:		2013/06/18		SD-130024-017		DOC TYPE/DOC PART/REVISION	
2 PLACES	±----	±----	DRWN: EBRACKEN		2013/10/07		PSD 001		B	
1 PLACE	±----	±----	APPR: BWOODMAN		2013/10/07		MATERIAL NUMBER		SHEET NUMBER	
0 PLACES	±----	±----	ANGULAR TOL ± ---- °		THIRD ANGLE PROJECTION		DRAWING		SERIES	
DRAFT WHERE APPLICABLE MUST REMAIN WITHIN DIMENSIONS			C-SIZE		130024		SEE CHART		GENERAL MARKET	