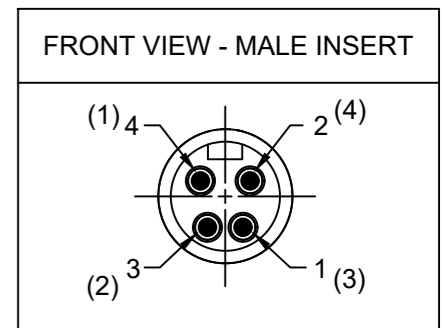
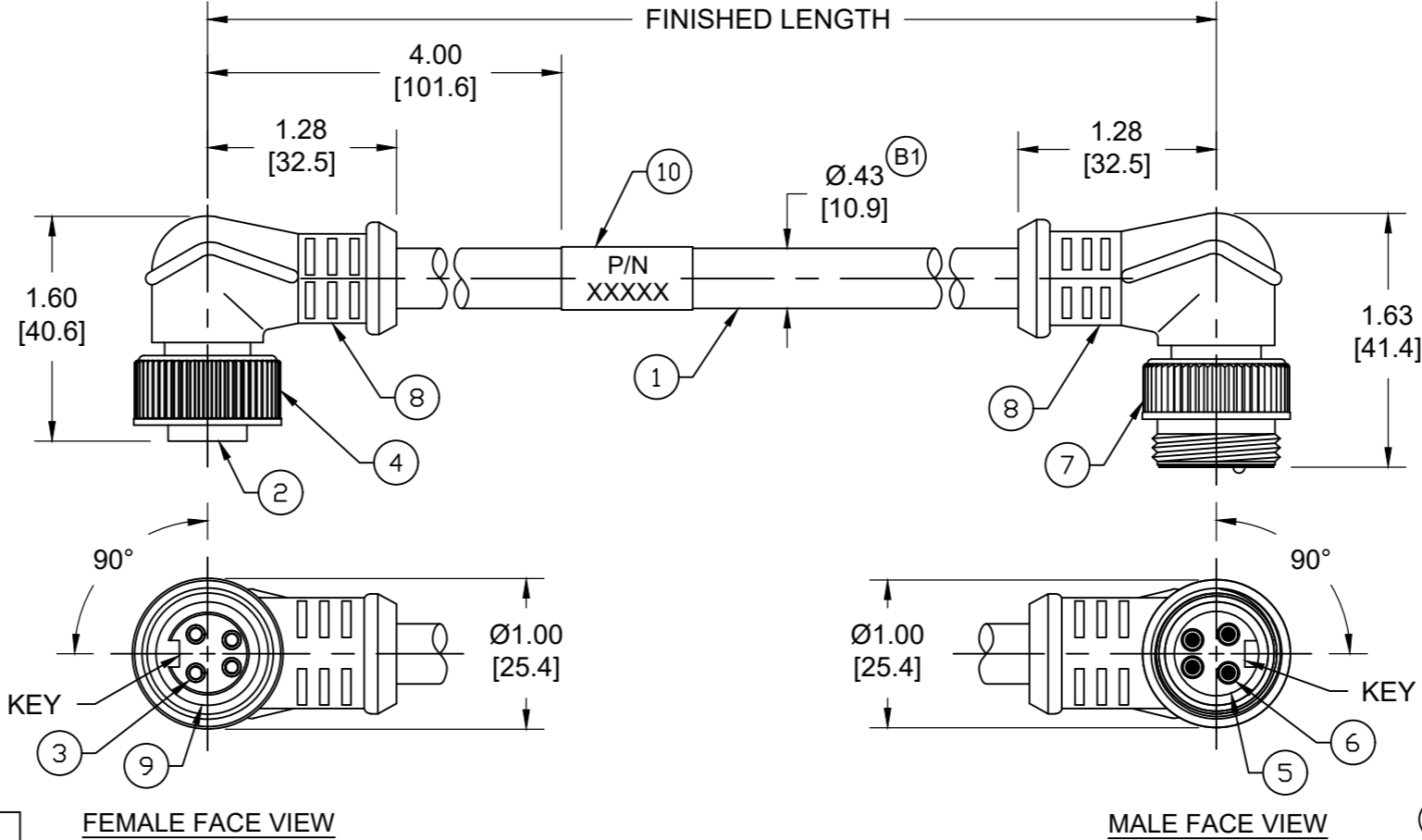


| PART NO | ENGINEERING NO. | FINISHED LENGTH |
|------------|-----------------|-------------------|
| 1300101743 | 114033K12M005 | 0.5M [1FT 8 IN] |
| 1300101910 | 114033K12M300 | 30M [98FT 5 IN] |
| 1300101913 | 114033K12M600 | 60M [196FT 10 IN] |



- NOTES:
- MATERIAL: SEE TABLE
 - FINISH: SEE TABLE
 - ELECTRICAL:
VOLTAGE: 483V PER IEC60664
600V PER UL2238
CURRENT: 8A (B1)
 - TEMP RATING: -20°TO +90°C
 - PROTECTION: IP67 (WHEN MATED)
 - COUPLING THREAD: 7/8-16 UN
 - UL LISTED FILE: E152210 (B1)
 - ALL DIMENSIONS ARE FOR REFERENCE UNLESS TOLERANCED OR NOTED OTHERWISE



CENELEC EN 50 044 PINOUT SHOWN (SAE-J-1738A SHOWN IN PARENTHESIS)

| | | |
|-------|-------|-------|
| 4 (1) | BLACK | 4 (1) |
| 3 (2) | BLUE | 3 (2) |
| 1 (3) | BROWN | 1 (3) |
| 2 (4) | WHITE | 2 (4) |

MECHANICAL CHARACTERISTICS: (B1)

| | |
|----------------------|------------------------------------|
| TORSIONAL FLEX TEST | 20 MILLION CYCLES PER MIL-C-13777G |
| BEND FLEX TEST | 20 MILLION CYCLES PER MIL-C-13777G |
| WELD SLAG RESISTANCE | WOODHEAD STANDARD S-300 |

| ITEM | DESCRIPTION | MATERIAL | FINISH |
|------|----------------------|---------------|-------------------|
| 10 | WRAP LABEL | VINYL | BLACK/YELLOW (B1) |
| 9 | FRICTION RING | NYLON | WHITE (B1) |
| 8 | OVERMOLD | TPE | YELLOW |
| 7 | COUPLING NUT, MALE | ZINC DIE-CAST | BLACK E-COAT |
| 6 | CONTACT PIN | COPPER ALLOY | GOLD OVER NICKEL |
| 5 | MALE INSERT | TPE | YELLOW |
| 4 | COUPLING NUT, FEMALE | ZINC DIE-CAST | BLACK E-COAT |
| 3 | CONTACT SOCKET | COPPER ALLOY | GOLD OVER NICKEL |
| 2 | FEMALE INSERT | TPE | YELLOW |
| 1 | CABLE, 16/4 AWG | TPE | YELLOW |

PART NUMBER LEGEND
114033K12M005
FINISHED LENGTH
M005 = 0.5 METER
M010 = 1 METER
M100 = 10 METER

(B1)

CABLE LENGTH TOLERANCES

- <.3M [1FT]: +19mm-0 [+.75in-0]
- .3 - .9M [1 - 3FT]: +44.5mm-0 [+1.75in-0]
- .9 - 1.8M [3 - 6FT]: +55.6mm-0 [+2.19in-0]
- 1.8 - 3.7M [6 - 12FT]: +88.9mm-0 [+3.50in-0]
- 3.7 - 7.3M [12 - 24FT]: +165.1mm-0 [+6.50in-0]
- 7.3-14.6M [24 - 48FT]: +317.5mm-0 [+12.50in-0]
- 14.6 - 30.5M [48-100FT]: +622.3mm-0 [+24.50in-0]
- OVER 30M [100FT] +2% OF FINISHED LENGTH

| FUNCTIONAL SYMBOLS | THIS DRAWING CONTAINS INFORMATION THAT IS PROPRIETARY TO MOLEX ELECTRONIC TECHNOLOGIES, LLC AND SHOULD NOT BE USED WITHOUT WRITTEN PERMISSION | | CURRENT REV DESC: ADDED ITEM-9, TOL CHART, UL NUMBER AND CABLE DIA. CURRENT WAS 10A & ITEM-10 WAS MYLAR. MODIFIED PN CHART | | | | | | | |
|---|---|------------------------|--|------------------------------|---------------------------------------|----------------------------|---------------|--|-----------------|--|
| | MINI-CHANGE CORDSET, A-SIZE 4 POLE, MALE 90DEG - FEMALE 90DEG, SINGLE KEY, #16/4 AWG TPE HI-FLEX | | | | | | | | | |
| <table border="1"> <thead> <tr> <th>DIMENSION UNITS</th> <th>SCALE</th> </tr> </thead> <tbody> <tr> <td>INCH/MM</td> <td>NTS</td> </tr> </tbody> </table> | DIMENSION UNITS | SCALE | INCH/MM | NTS | GENERAL TOLERANCES (UNLESS SPECIFIED) | | EC NO: 709714 | | DOCUMENT NUMBER | |
| DIMENSION UNITS | SCALE | | | | | | | | | |
| INCH/MM | NTS | | | | | | | | | |
| 4 PLACES ±---- | ±---- | 3 PLACES ±---- | | DRWN: ABENJAMINLW 2022/05/16 | | SD-130010-020 | | | | |
| 3 PLACES ±---- | ±---- | 2 PLACES ±---- | | CHK'D: RSTONE 2022/06/08 | | DOC TYPE/DOC PART/REVISION | | | | |
| 2 PLACES ±---- | ±---- | 1 PLACE ±---- | | APPR: BWOODMAN 2022/06/14 | | PSD 001 B1 | | | | |
| 0 PLACES ±---- | ±---- | ANGULAR TOL ± ---- ° | | INITIAL REVISION: | | SHEET NUMBER | | | | |
| DRAFT WHERE APPLICABLE MUST REMAIN WITHIN DIMENSIONS | | THIRD ANGLE PROJECTION | | DRAWING | | SERIES | | | | |
| | | | | B-SIZE | | 130010 | | | | |
| | | | | MATERIAL NUMBER | | CUSTOMER | | | | |
| | | | | SEE CHART | | GENERAL MARKET | | | | |
| | | | | | | 1 OF 1 | | | | |