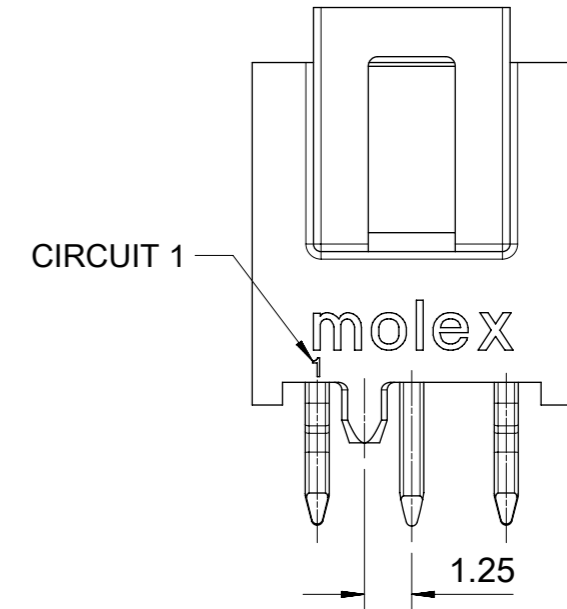
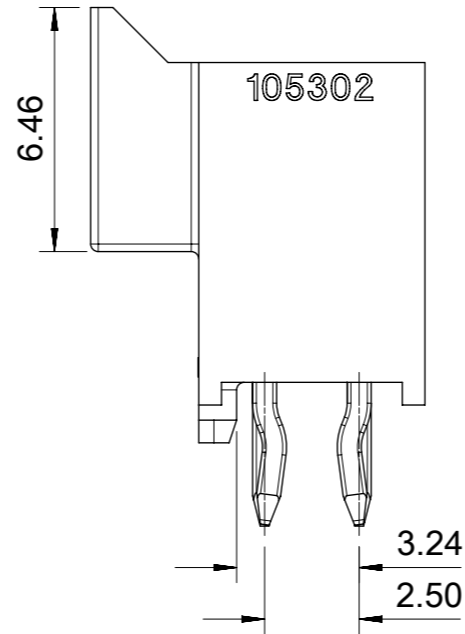
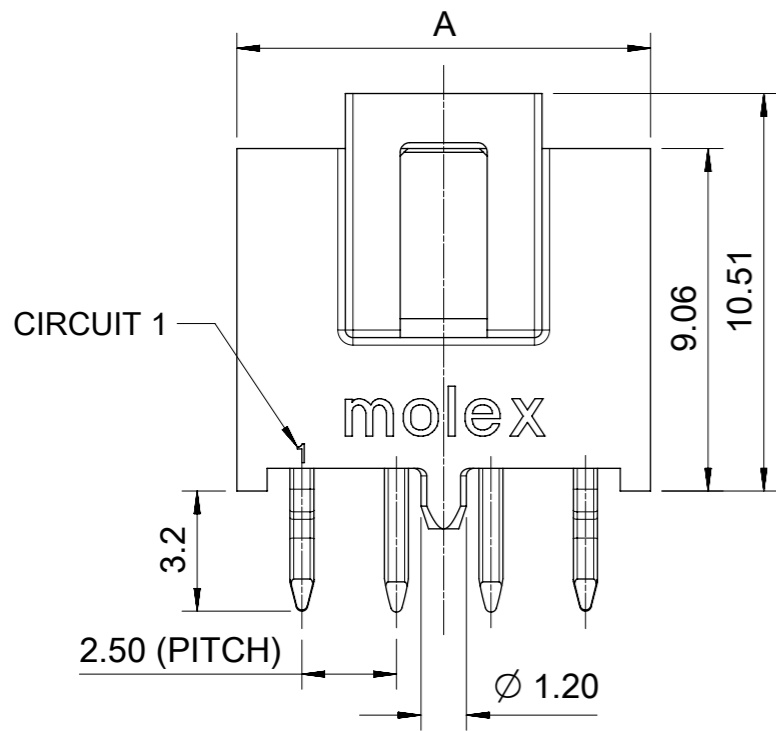
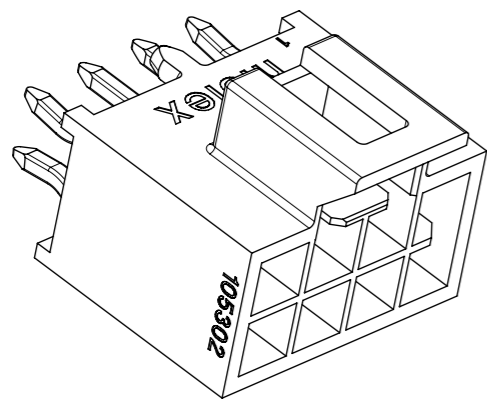


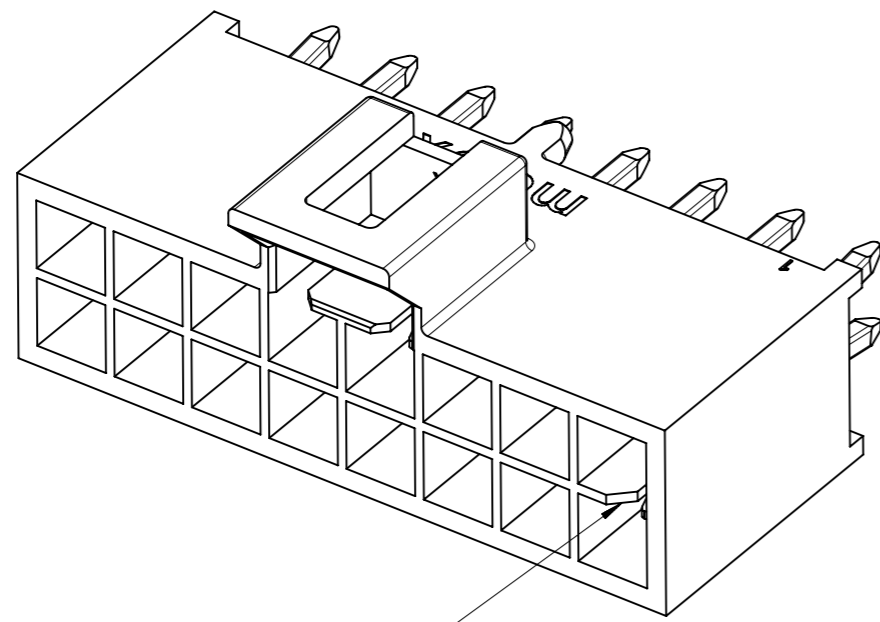
RECOMMENDED PCB(CONNECTOR SIDE VIEW)
THICKNESS=1.6 TO 2.4 MM



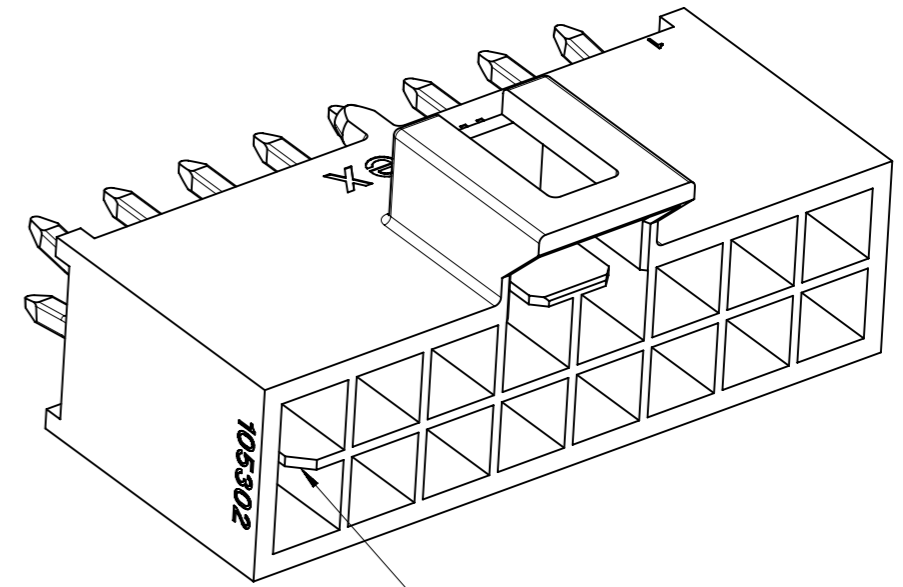
ONLY FOR CKT 6, 10, 14
OTHER DIMENSIONS REFER TO LEFT VIEWS.



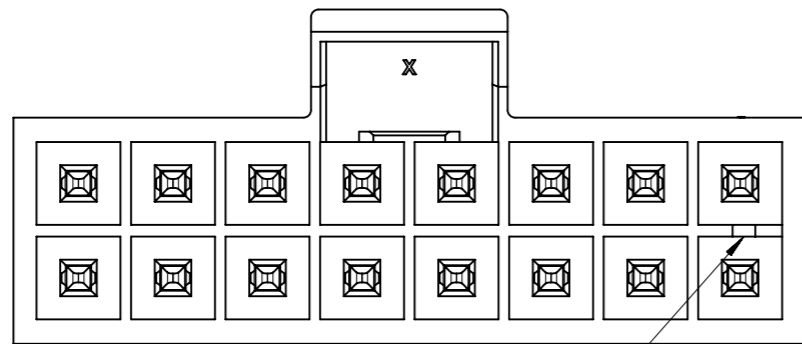
QUALITY SYMBOLS		THIS DRAWING CONTAINS INFORMATION THAT IS PROPRIETARY TO MOLEX ELECTRONIC TECHNOLOGIES, LLC AND SHOULD NOT BE USED WITHOUT WRITTEN PERMISSION									
∇_A	= 0	EC NO: 621186 DRWN: GLLI CHK'D: YXZHENG APPR: YXZHENG	GENERAL TOLERANCES (UNLESS SPECIFIED)		DIMENSION UNITS	SCALE					
∇_E	= 0		ANGULAR TOL $\pm 3.0^\circ$		mm	5:1					
∇_F	= 0		4 PLACES \pm	DRWN BY		DATE		HEADER OF NANO-FIT, D/R, KINK, VERTICAL POWER CONNECTOR			
∇_G	= 0		3 PLACES ± 0.1	GLLI		2013/10/30					
∇_H	= 0		2 PLACES ± 0.2	CHK'D BY		DATE		PRODUCT CUSTOMER DRAWING			
∇_I	= 0	1 PLACE ± 0.3	APPR BY		DATE		SERIES				
∇_J	= 0	0 PLACES \pm	DRAFT WHERE APPLICABLE MUST REMAIN WITHIN DIMENSIONS		DRAWING SIZE	THIRD ANGLE PROJECTION	105310	SEE SHEET 2	GENERAL MARKET		
∇_K	= 0				A3		DOCUMENT NUMBER		DOC TYPE	DOC PART	SHEET NUMBER
∇_L	= 0						SD-105310-100	PSD	000	1 OF 5	



KEY A

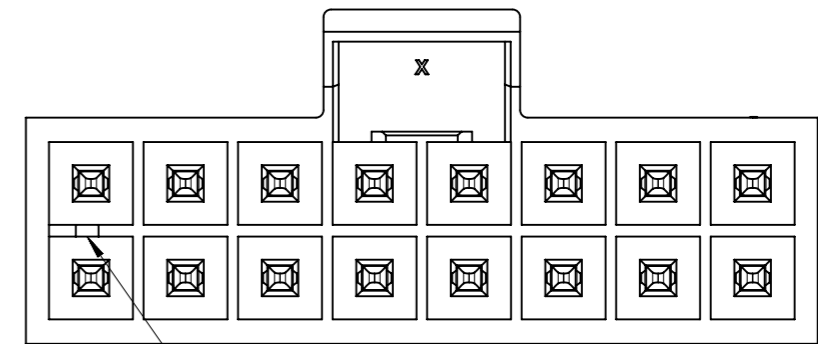


KEY B



KEY A

BLACK



KEY B

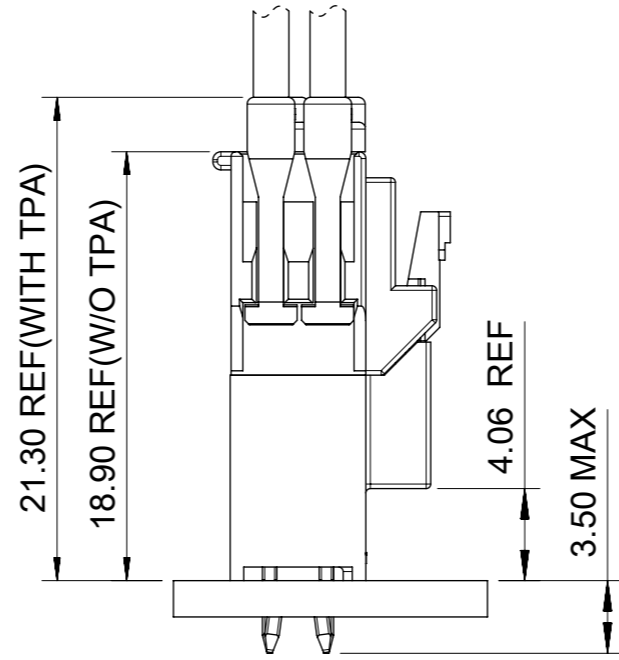
NATURAL

COLOR OPTION

SYMBOLS										THIS DRAWING CONTAINS INFORMATION THAT IS PROPRIETARY TO MOLEX ELECTRONIC TECHNOLOGIES, LLC AND SHOULD NOT BE USED WITHOUT WRITTEN PERMISSION																
DIMENSION UNITS		SCALE		CURRENT REV DESC:																						
mm				EC NO: 621186 DRWN: GLLI 2019/07/24 CHK'D: YXZHENG 2019/07/31 APPR: YXZHENG 2019/07/31																						
GENERAL TOLERANCES (UNLESS SPECIFIED)										INITIAL REVISION:										DOCUMENT NUMBER				DOC TYPE	DOC PART	REVISION
ANGULAR TOL ± 3.0°										DRWN: RFC_PLMMW 2016/02/25 APPR: JALEXANDER 2016/02/25										SD-105310-100				PSD	000	G
4 PLACES ±		0.1		DRAFT WHERE APPLICABLE MUST REMAIN WITHIN DIMENSIONS										THIRD ANGLE PROJECTION		DRAWING		SERIES		MATERIAL NUMBER		CUSTOMER		SHEET NUMBER		
3 PLACES ±		0.2												A3-SIZE		105310		GENERAL MARKET		2 OF 5						
2 PLACES ±		0.3																								
1 PLACE ±		0.4																								
0 PLACES ±		0.5																								

PART NUMBER	DIM 'A'	DIM 'B'	CKT SIZE	PLATING	LUBE
105310-1104	5.94	2.50	4	TIN	
105310-1106	8.44	5.00	6		
105310-1108	10.94	7.50	8		
105310-1110	13.44	10.00	10		
105310-1112	15.94	12.50	12		
105310-1114	18.44	15.00	14		
105310-1116	20.94	17.50	16		
105310-1204	5.94	2.50	4		
105310-1206	8.44	5.00	6		
105310-1208	10.94	7.50	8		
105310-1210	13.44	10.00	10		
105310-1212	15.94	12.50	12		
105310-1214	18.44	15.00	14		
105310-1216	20.94	17.50	16		
105310-1304	5.94	2.50	4	GOLD 0.76	
105310-1306	8.44	5.00	6		
105310-1308	10.94	7.50	8		
105310-1310	13.44	10.00	10		
105310-1312	15.94	12.50	12		
105310-1314	18.44	15.00	14		
105310-1316	20.94	17.50	16		
105310-1404	5.94	2.50	4		
105310-1406	8.44	5.00	6		
105310-1408	10.94	7.50	8		
105310-1410	13.44	10.00	10		
105310-1412	15.94	12.50	12		
105310-1414	18.44	15.00	14		
105310-1416	20.94	17.50	16		

COLOR: BLACK

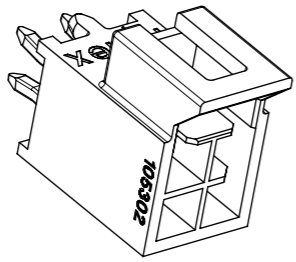
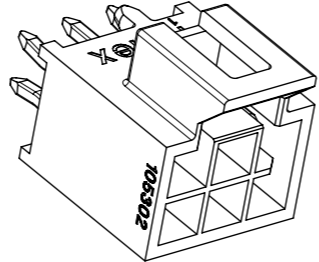
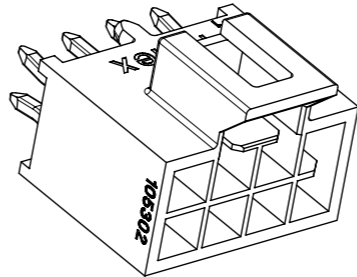
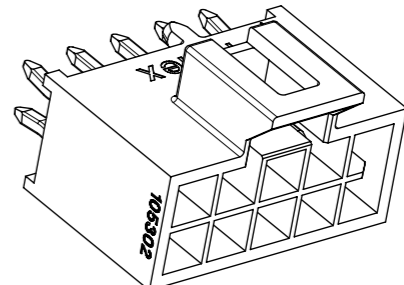
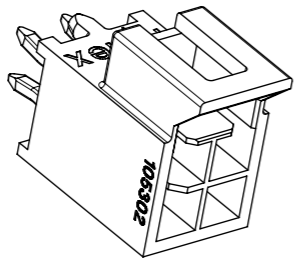
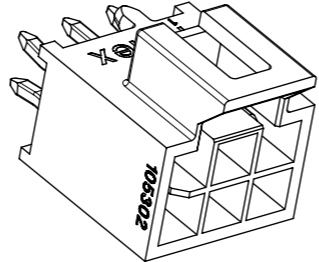
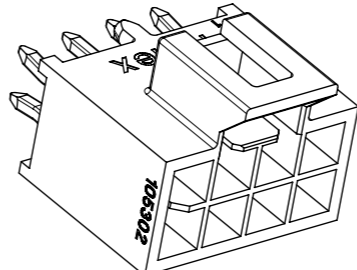
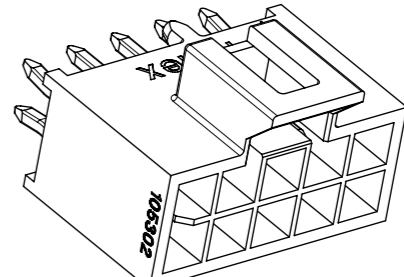
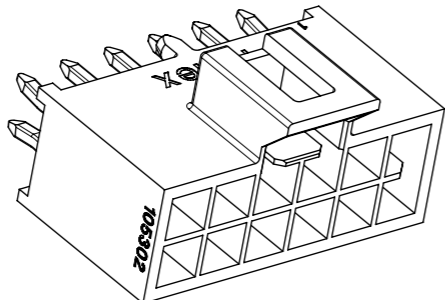
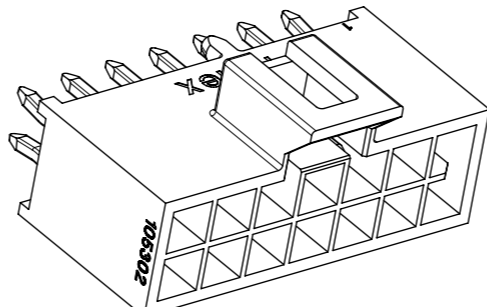
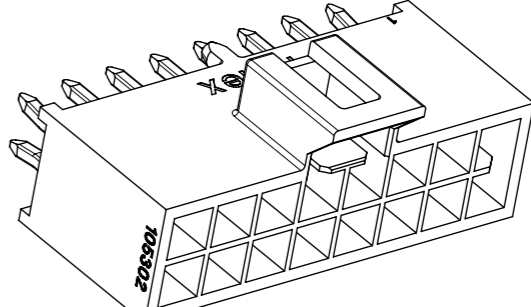
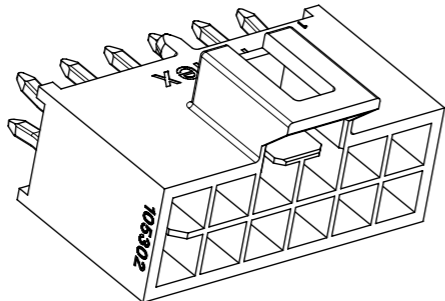
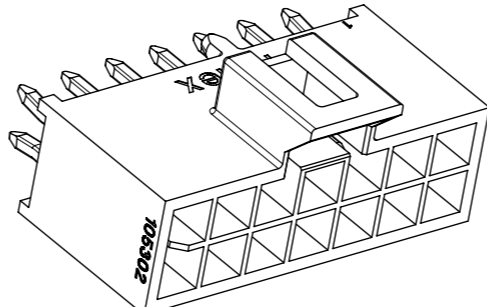
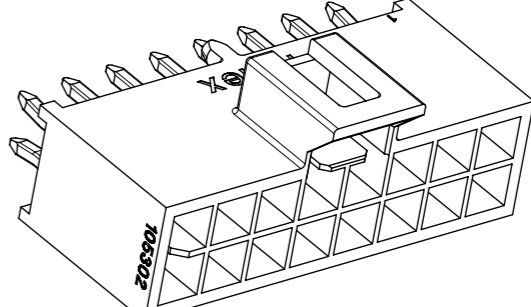






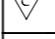


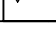

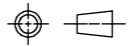
105310- * * * *
 CIRCUIT SIZE
 PLATING OPTION
 1 - TIN
 2 - GOLD 0.38
 3 - GOLD 0.76
 4 - GOLD AND LUBE
 COLOR OPTION
 1 - BLACK
 2 - NATURAL

PART NUMBER	DIM 'A'	DIM 'B'	CKT SIZE	PLATING	LUBE
105310-2104	5.94	2.50	4	TIN	
105310-2106	8.44	5.00	6		
105310-2108	10.94	7.50	8		
105310-2110	13.44	10.00	10		
105310-2112	15.94	12.50	12		
105310-2114	18.44	15.00	14		
105310-2116	20.94	17.50	16		
105310-2204	5.94	2.50	4		
105310-2206	8.44	5.00	6		
105310-2208	10.94	7.50	8		
105310-2210	13.44	10.00	10		
105310-2212	15.94	12.50	12		
105310-2214	18.44	15.00	14		
105310-2216	20.94	17.50	16		
105310-2304	5.94	2.50	4	GOLD 0.76	
105310-2306	8.44	5.00	6		
105310-2308	10.94	7.50	8		
105310-2310	13.44	10.00	10		
105310-2312	15.94	12.50	12		
105310-2314	18.44	15.00	14		
105310-2316	20.94	17.50	16		
105310-2404	5.94	2.50	4		
105310-2406	8.44	5.00	6		
105310-2408	10.94	7.50	8		
105310-2410	13.44	10.00	10		
105310-2412	15.94	12.50	12		
105310-2414	18.44	15.00	14		
105310-2416	20.94	17.50	16		

COLOR: NATURAL

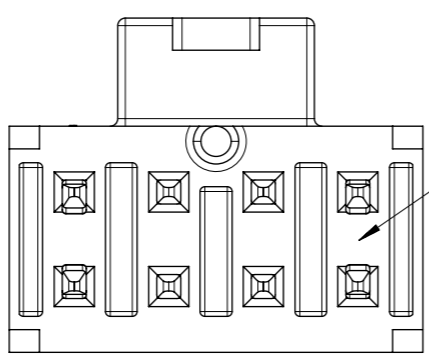
THIS DRAWING CONTAINS INFORMATION THAT IS PROPRIETARY TO MOLEX ELECTRONIC TECHNOLOGIES, LLC AND SHOULD NOT BE USED WITHOUT WRITTEN PERMISSION											
QUALITY SYMBOLS ▽A = 0 ▽E = 0 ▽F = 0 ▼ = 0 ▽C = 0 ⊗ = 0 ■ = 0 ▽ = 0	EC NO: 621186 DRWN: GLLI CHK'D: YXZHENG APPR: YXZHENG	2019/07/24 2019/07/31 2019/07/31	GENERAL TOLERANCES (UNLESS SPECIFIED)		DIMENSION UNITS	SCALE					
			ANGULAR TOL ± 3.0 °		mm	3:1					
			4 PLACES ±	DRWN BY	DATE		HEADER OF NANO-FIT, D/R, KINK, VERTICAL POWER CONNECTOR				
			3 PLACES ± 0.1	GLLI	2013/10/30						
			2 PLACES ± 0.2	CHK'D BY	DATE		PRODUCT CUSTOMER DRAWING				
1 PLACE ± 0.3	AYIN	2015/04/08									
0 PLACES ±	APPR BY	DATE		DRAWING SIZE	THIRD ANGLE PROJECTION	SERIES	MATERIAL NUMBER	CUSTOMER			
DRAFT WHERE APPLICABLE MUST REMAIN WITHIN DIMENSIONS	G	REV	A3	105310	SEE CHART	GENERAL MARKET					
						DOCUMENT NUMBER	DOC TYPE	DOC PART	SHEET NUMBER		
						SD-105310-100	PSD	000	3 OF 5		

		4 CKT	6 CKT	8 CKT	10 CKT
E	BLACK				
D	NATURAL				
		12 CKT	14 CKT		16 CKT
C	BLACK				
B	NATURAL				

THIS DRAWING CONTAINS INFORMATION THAT IS PROPRIETARY TO MOLEX ELECTRONIC TECHNOLOGIES, LLC AND SHOULD NOT BE USED WITHOUT WRITTEN PERMISSION											
QUALITY SYMBOLS  = 0  = 0  = 0  = 0  = 0  = 0  = 0  = 0		2019/07/24 2019/07/31 2019/07/31		GENERAL TOLERANCES (UNLESS SPECIFIED) ANGULAR TOL ± 3.0 ° 4 PLACES ± 3 PLACES ± 0.1 2 PLACES ± 0.2 1 PLACE ± 0.3 0 PLACES ±		DIMENSION UNITS mm		SCALE 3:1		 HEADER OF NANO-FIT, D/R, KINK, VERTICAL POWER CONNECTOR	
EC NO: 621186 DRWN: GLLI CHK'D: YXZHENG APPR: YXZHENG		G REV		DRAFT WHERE APPLICABLE MUST REMAIN WITHIN DIMENSIONS		DRWN BY GLLI		DATE 2013/10/30			
RELEASE STATUS P1 RELEASE DATE 2019/07/31 03:05:33		EC NO: 621186 DRWN: GLLI CHK'D: YXZHENG APPR: YXZHENG		DRAFT WHERE APPLICABLE MUST REMAIN WITHIN DIMENSIONS		CHK'D BY AYIN		DATE 2015/04/08		SERIES MATERIAL NUMBER CUSTOMER 105310 SEE SHEET 2 GENERAL MARKET	
						DRAWING SIZE A3		THIRD ANGLE PROJECTION 		DOCUMENT NUMBER DOC TYPE DOC PART SHEET NUMBER SD-105310-100 PSD 000 4 OF 5	

NOTES FOR ALL PARTS

<p>1> MATERIAL: HOUSING: LCP, UL 94V-0; TERMINAL: BRASS.</p> <p>2> PLATING FINISHED: TERMINAL: CONTACT AREA: a. TIN 1.5MICRONS MIN; b. GOLD 0.38 MICRONS MIN; c. GOLD 0.76 MICRONS MIN. SOLDER AREA: TIN 1.5 MICRONS MIN, UNDER PLATING NICKEL 1.25 MICRONS MIN. SOLDER CLIP: TIN 2.5 MICRONS MIN, UNDER PLATING NICKEL 1.25 MICRONS MIN.</p> <p>3> PRODUCT SPECIFICATION: PS-105300-100.</p>	<p>4> PACKAGE: TRAY, PK-105309-100.</p> <p>5> ALL COMPONENTS AND PRODUCT COMPLIANT TO RoHS DIRECTIVE 2011/65/EU AND ELV DIRECTIVE 2000/53/EC.</p> <p>6> PRODUCT MATE WITH SERIES OF 105308(RECEPTACLE), 105300(CRIMP TERMINAL).</p> <p>7> PARTS CONFORM TO CLASS 'B'REQUIREMENTS OF COSMETIC SPECIFICATION PS-45499-002.</p> <p>8> DISCOLORATION IN THE BANDOLIER PIN CARRIER AREA OF THE PIN IS INHERENT TO THE PLATING PROCESS AND IS DUE TO THE MASKING DEFECT OF THE CARRIER, THIS DISCOLORATION IS IN A NON-FUNCTION AREA OF THE PIN AND WILL NOT AFFECT THE PERFORMANCE OF THE HEADER ASSEMBLY.</p>
--	--



IF ANY NUMBER MARK APPEARS ON THIS SURFACE, PLEASE DISREGARD IT, IT IS NO ANY FUCTION AND NO ANY RELATION TO PIN NUMBER, IT IS JUST FOR MOLDING IDENDIFICATION.

QUALITY SYMBOLS ▽ = 0 ▽ = 0 ▽ = 0 ▼ = 0 ▽ = 0 ⊗ = 0 ■ = 0 ▽ = 0	THIS DRAWING CONTAINS INFORMATION THAT IS PROPRIETARY TO MOLEX ELECTRONIC TECHNOLOGIES, LLC AND SHOULD NOT BE USED WITHOUT WRITTEN PERMISSION																
	EC NO: 621186 DRWN: GLLI CHK'D: YXZHENG APPR: YXZHENG	2019/07/24		2019/07/31		2019/07/31		GENERAL TOLERANCES (UNLESS SPECIFIED)		DIMENSION UNITS		SCALE					
		ANGULAR TOL ± 3.0 °		4 PLACES ±		3 PLACES ± 0.1		2 PLACES ± 0.2		1 PLACE ± 0.3		0 PLACES ±					
		DRAFT WHERE APPLICABLE MUST REMAIN WITHIN DIMENSIONS		mm		DRWN BY		DATE		RFC_PLMMW		2016/02/25					
				CHK'D BY		DATE		APPR BY		DATE		JALEXANDER 2016/02/25					
				DRAWING SIZE		THIRD ANGLE PROJECTION		A3									
											HEADER OF NANO-FIT, D/R, KINK, VERTICAL POWER CONNECTOR						
	PRODUCT CUSTOMER DRAWING										SERIES		MATERIAL NUMBER		CUSTOMER		
											105310		SEE SHEET 2		GENERAL MARKET		
											DOCUMENT NUMBER		DOC TYPE		DOC PART		SHEET NUMBER
										SD-105310-100		PSD		000		5 OF 5	