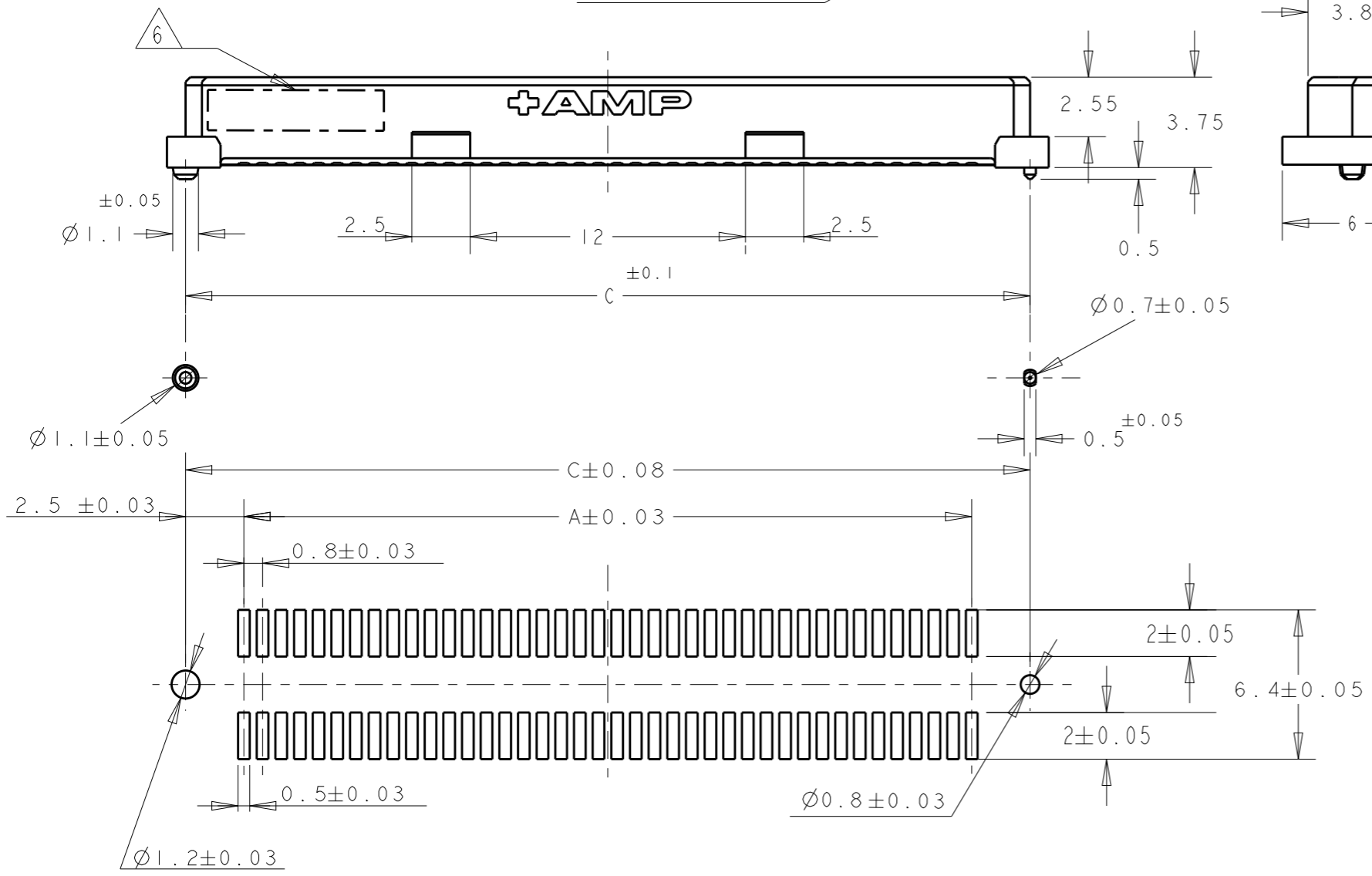
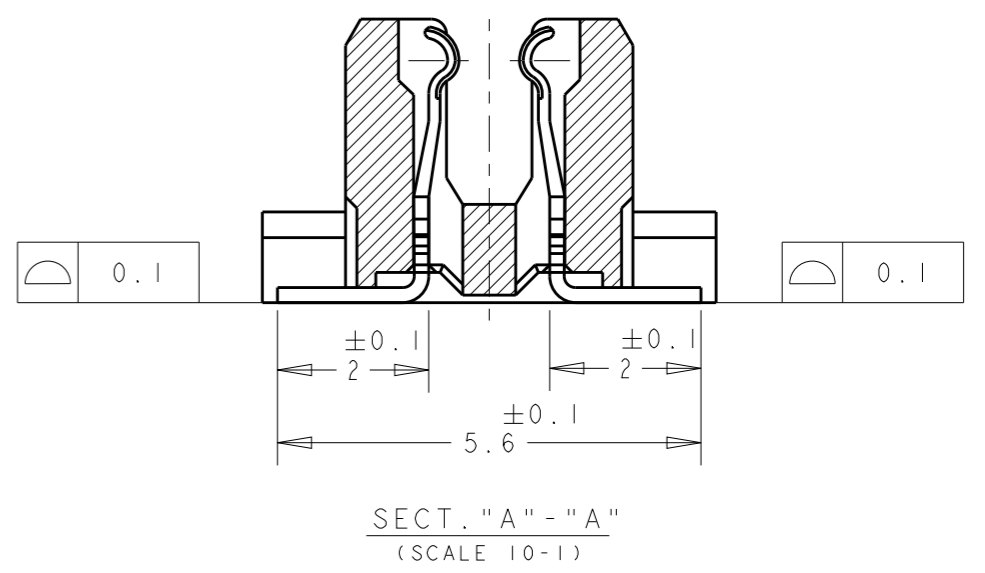
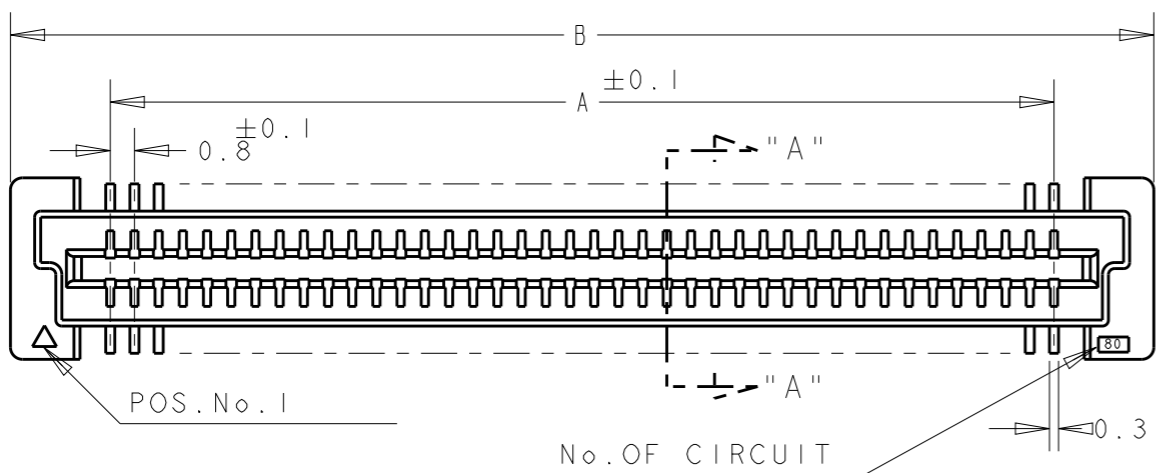


THIS DRAWING IS UNPUBLISHED. RELEASED FOR PUBLICATION 20  
 © COPYRIGHT 20 BY - ALL RIGHTS RESERVED.

REVISIONS				
P	LTR	DESCRIPTION	DATE	APVD
	CI	REVISED PER ECO-17-018854	28NOV2017	R.L H.L



NOTES:

- 1 MATERIAL: HOUSING: L.C.P (HIGH TEMP THERMOPLASTIC) UL 94V-0, NATURAL. CONTACT: BERYLIUM COPPER
- 2 FINISH: CONTACT AREA: 0.0002 MIN GOLD ON 0.0013 MIN ALL OVER NICKEL. SOLDERING AREA: 0.002 MIN MATTE TIN.
- 3. POSITION SERIES: SEE TABLE.
- 4. CONN STACK HEIGHT COMBINE OF PLUG "Y" H VS REC "X" H. STACK HEIGHT = Y + X - 5
- 5 FINISH: CONTACT AREA: 0.00038 MIN GOLD ON 0.0013 MIN ALL OVER NICKEL. SOLDERING AREA: 0.002 MIN MATTE TIN.
- 6 DATE CODE MARKING.
- 7 CONNECTOR WITH BLACK HOUSING AND POLYIMIDE COVER

P/N SEE SHEET 2 & 3 OF 3.

CONNECTOR ONLY

LOW HALOGEN

RECOMMENDED P.C. BOARD LAYOUT

THIS DRAWING IS A CONTROLLED DOCUMENT.		DWN SK LEAW 17MAY2004	TE Connectivity	
DIMENSIONS: mm		CHK ERIC TNG		
TOLERANCES UNLESS OTHERWISE SPECIFIED:		APVD SE LEONG	NAME RECEPTACLE ASSEMBLY 5H TYPE (0.5 BOSS LENGTH) FOR FH0.8MM PITCH B-T-B CONNECTOR	
0 PLC ±0.3		PRODUCT SPEC 108-5390	SIZE A3	
1 PLC ±0.25		APPLICATION SPEC 114-5254	CAGE CODE -	DRAWING NO C-5177983
2 PLC ±0.2		WEIGHT	RESTRICTED TO	
3 PLC ±		CUSTOMER DRAWING	SCALE 4:1	SHEET 1 OF 3
4 PLC ANGLES ±3°		FINISH SEE P/N TABLE	REV CI	

THIS DRAWING IS UNPUBLISHED.

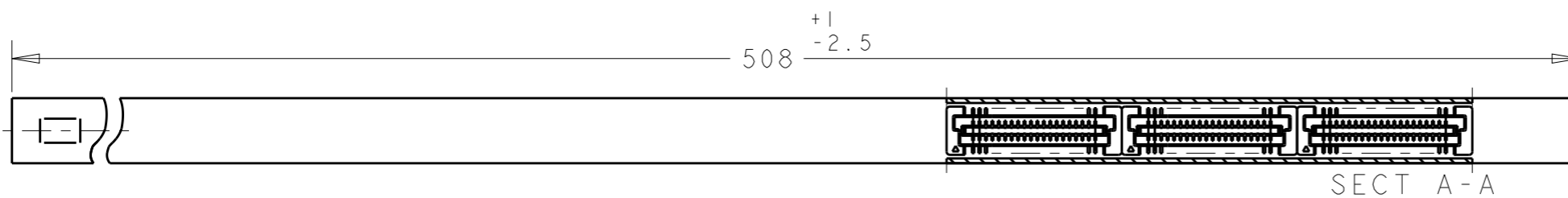
RELEASED FOR PUBLICATION

20

© COPYRIGHT - BY - ALL RIGHTS RESERVED.

REVISIONS

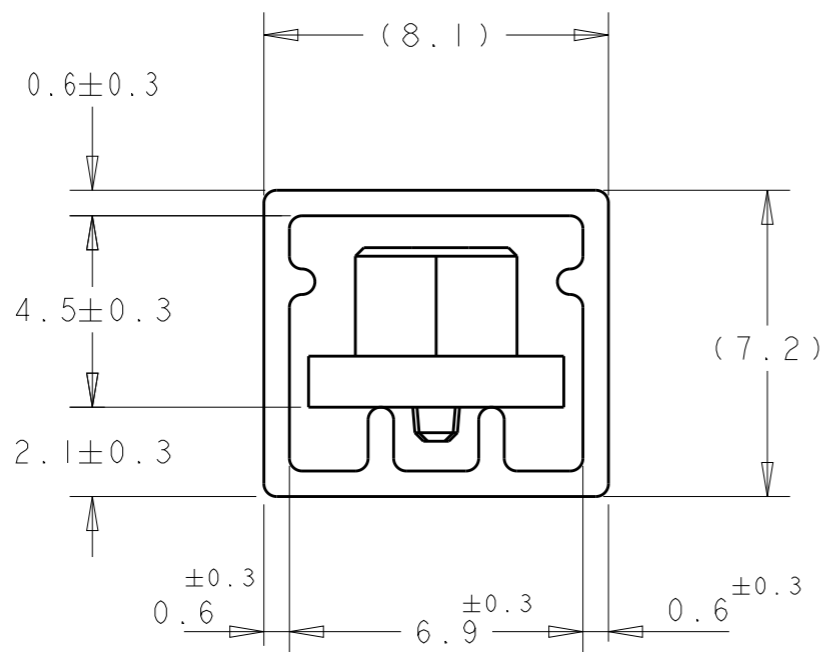
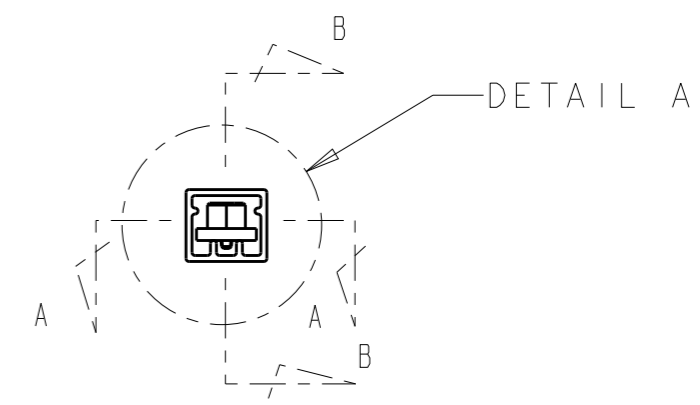
P	LTR	DESCRIPTION	DATE	DWN	APVD
-	-	SEE SHEET 1 OF 3	-	-	-



REFERENCE PICTURE OF TUBE PACK

SECT A-A

SECT B-B



DETAIL A

WITHOUT POLYIMIDE COVER

LOW HALOGEN

5	5	84.2	85.8	79.2	200	2-	-0
	6	76.2	77.8	71.2	180	1-	-9
	6	68.2	69.8	63.2	160	1-	-8
	7	60.2	61.8	55.2	120	1-	-6
	9	52.2	53.8	47.2	120	1-	-5
	10	44.2	45.8	39.2	100	1-	-4
	12	36.2	37.8	31.2	80	1-	-3
	16	28.2	29.8	23.2	60	1-	-2
	22	20.2	21.8	15.2	40	1-	-1
	2	5	84.2	85.8	79.2	200	1-
6		76.2	77.8	71.2	180		-9
6		68.2	69.8	63.2	160		-8
7		60.2	61.8	55.2	140		-6
9		52.2	53.8	47.2	120		-5
10		44.2	45.8	39.2	100		-4
12		36.2	37.8	31.2	80		-3
	16	28.2	29.8	23.2	60		-2
	22	20.2	21.8	15.2	40		-1
FINISH	QTY	C	B	A	POS	CONN P/N	

THIS DRAWING IS A CONTROLLED DOCUMENT.

DWN SK LEAW 17MAY2004  
 CHK ERIC TNG 02APR2015  
 APVD SEIFONG 02APR2015

**STE** TE Connectivity

NAME: RECEPTACLE ASSEMBLY 5H TYPE (0.5 BOSS LENGTH) FOR FH0.8MM PITCH B-T-B CONNECTOR

PRODUCT SPEC: 108-5390  
 APPLICATION SPEC: 114-5254

SIZE: A3 CAGE CODE: C-5177983 DRAWING NO: C-5177983 RESTRICTED TO:

MATERIAL: SEE NOTE 1 FINISH: SEE P/N TABLE WEIGHT: CUSTOMER DRAWING SCALE: 4:1 SHEET: 2 OF 3 REV: C1

THIS DRAWING IS UNPUBLISHED.

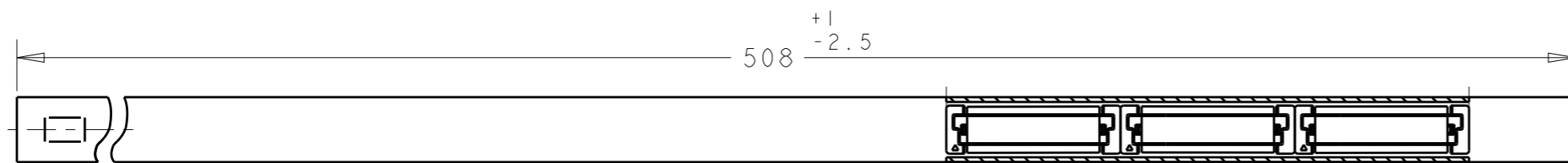
RELEASED FOR PUBLICATION

20

REVISIONS

© COPYRIGHT 20 BY - ALL RIGHTS RESERVED.

P	LTR	DESCRIPTION	DATE	DWN	APVD
-	-	SEE SHEET 1 OF 3	-	-	-

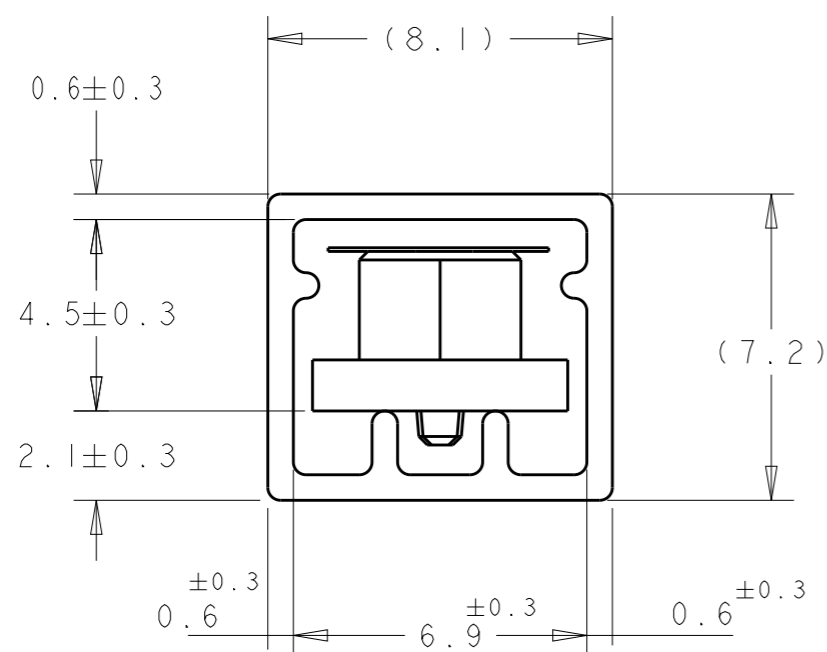
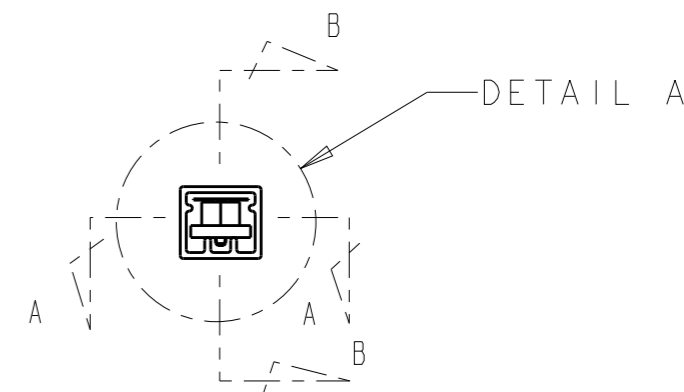


SECT A-A



REFERENCE PICTURE OF TUBE PACK

SECT B-B



DETAIL A

WITH POLYIMIDE COVER

LOW HALOGEN

△1	△2	7	60.2	61.8	55.2	140	9-5177983-6
FINISH	QTY	C	B	A	POS	CONN P/N	

THIS DRAWING IS A CONTROLLED DOCUMENT.		DWN SK LEAW 17MAY2004	<b>STE</b> TE Connectivity	
DIMENSIONS: mm		CHK ERIC TNG		
TOLERANCES UNLESS OTHERWISE SPECIFIED:		APVD SE LEONG	NAME RECEPTACLE ASSEMBLY 5H TYPE (0.5 BOSS LENGTH) FOR FH0.8MM PITCH B-T-B CONNECTOR	
0 PLC ±0.3		PRODUCT SPEC 108-5390	SIZE A3	CAGE CODE -
1 PLC ±0.3		APPLICATION SPEC 114-5254	DRAWING NO C-5177983	RESTRICTED TO
2 PLC ±0.25		WEIGHT	SCALE 4:1	SHEET 3 OF 3
3 PLC ±0.2		CUSTOMER DRAWING	REV C1	
4 PLC ±				
ANGLES ±3°				
FINISH				