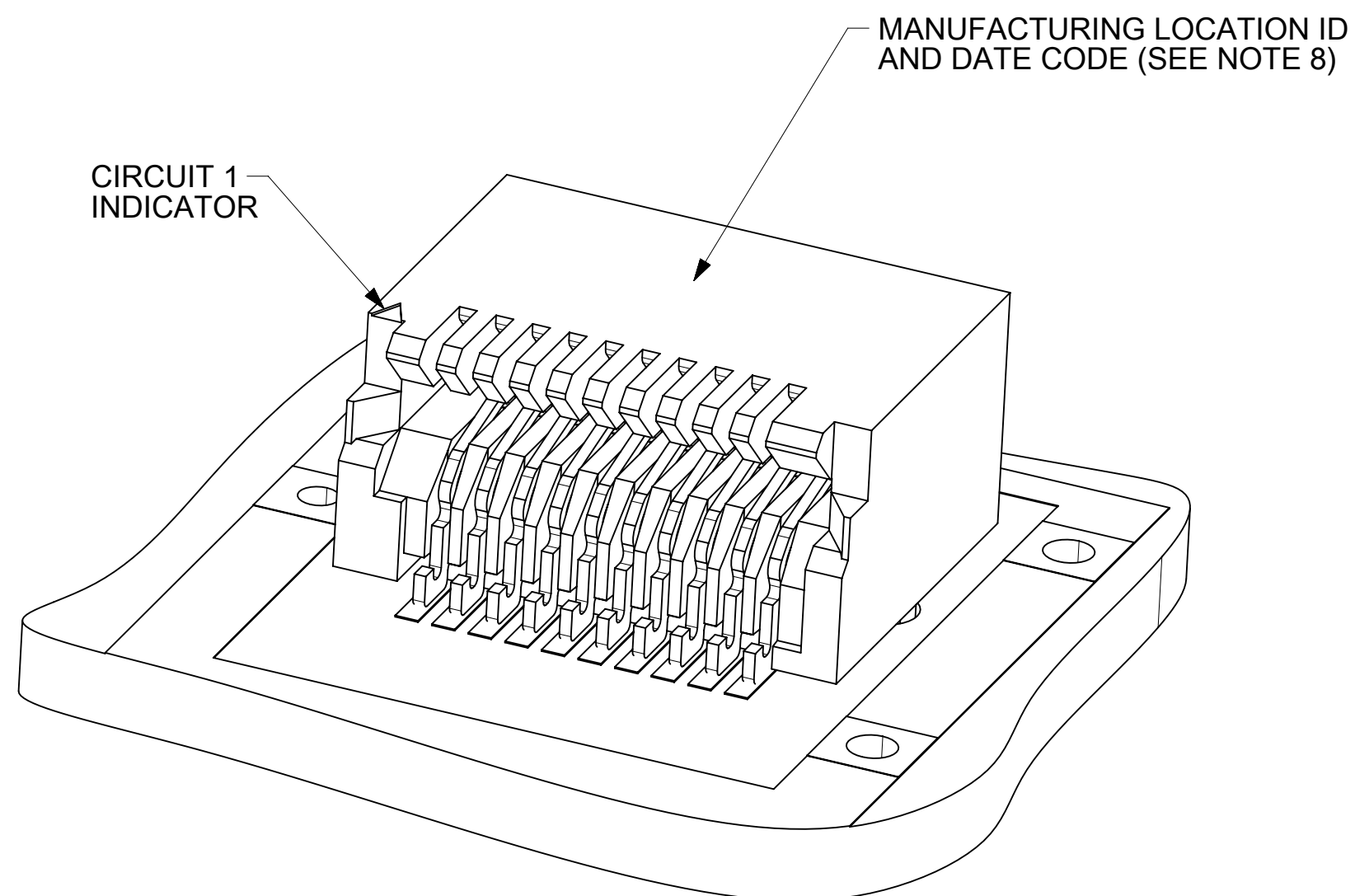


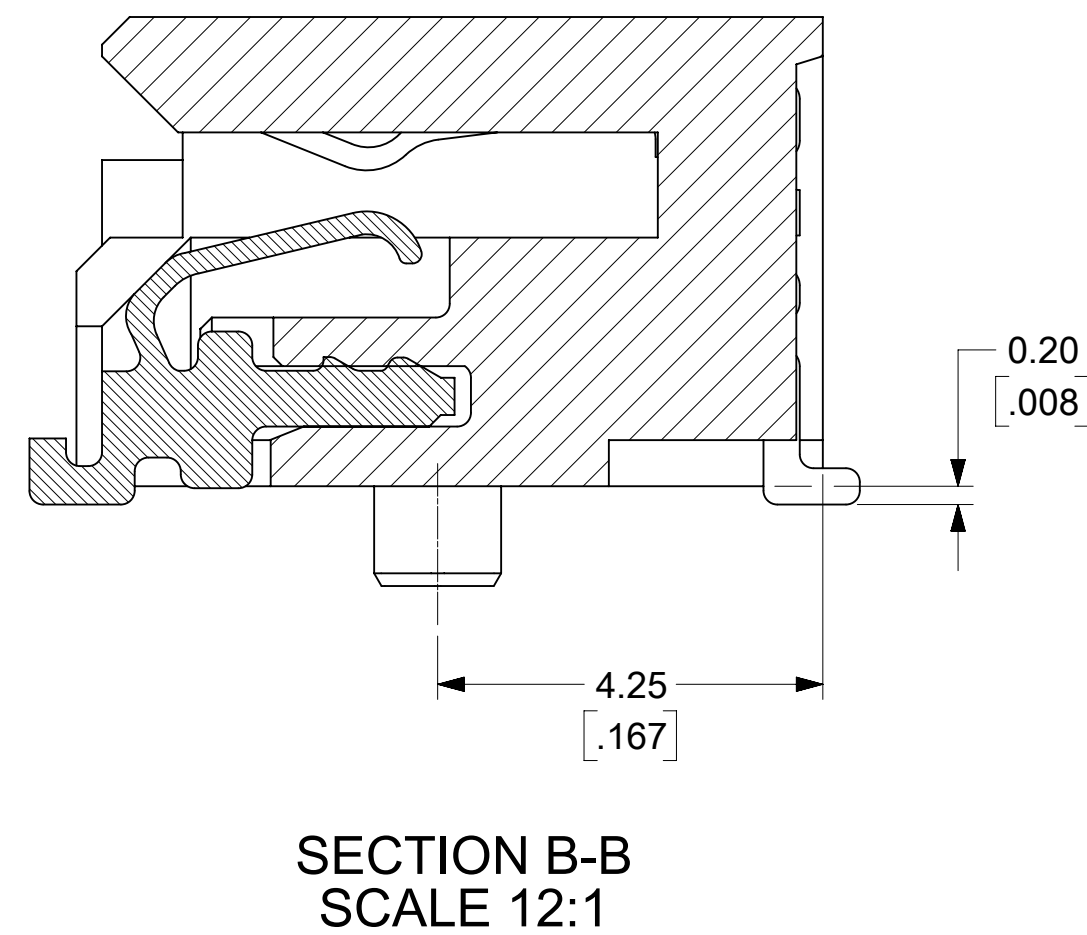
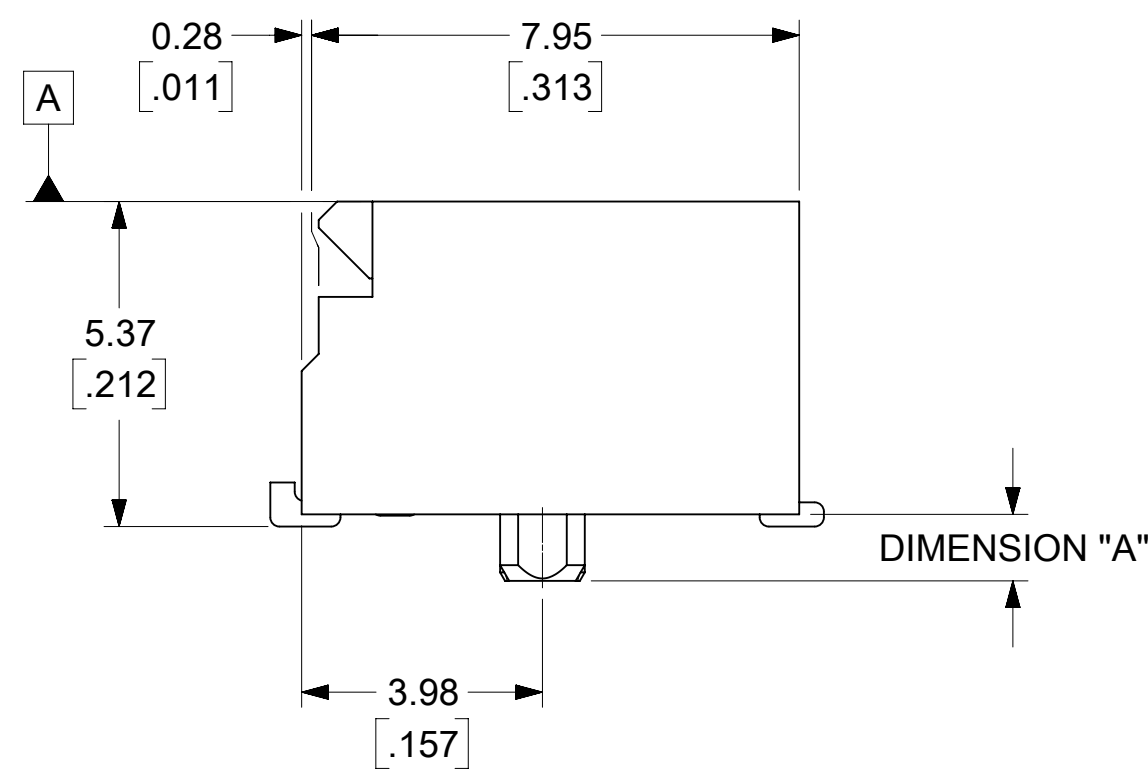
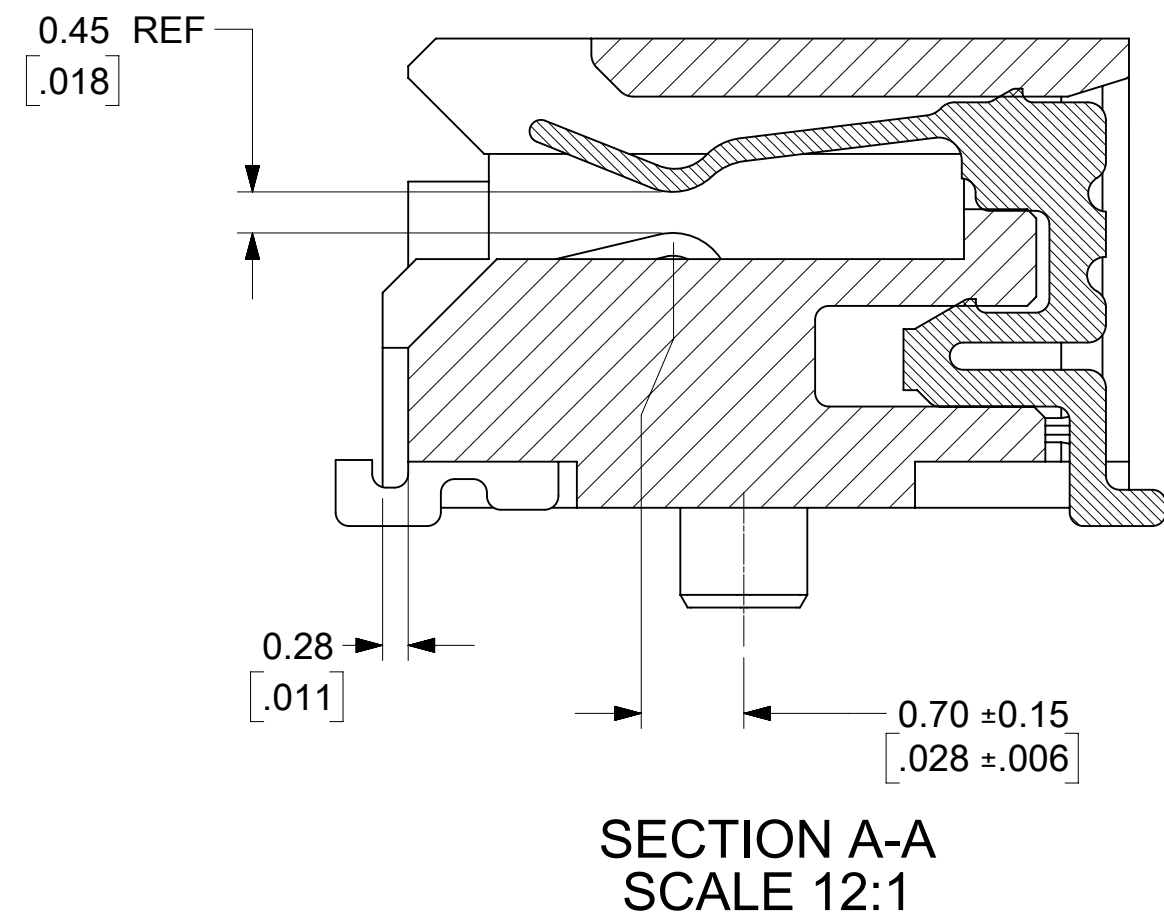
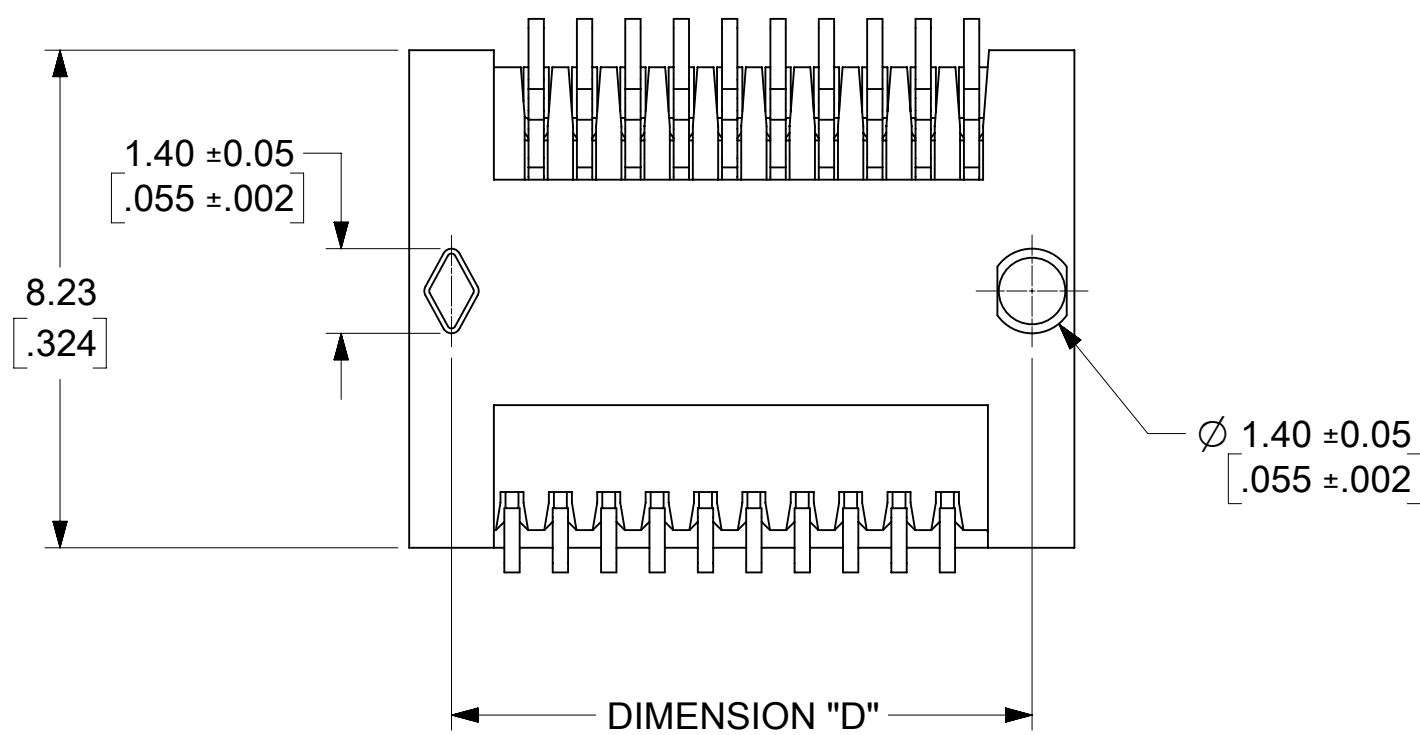
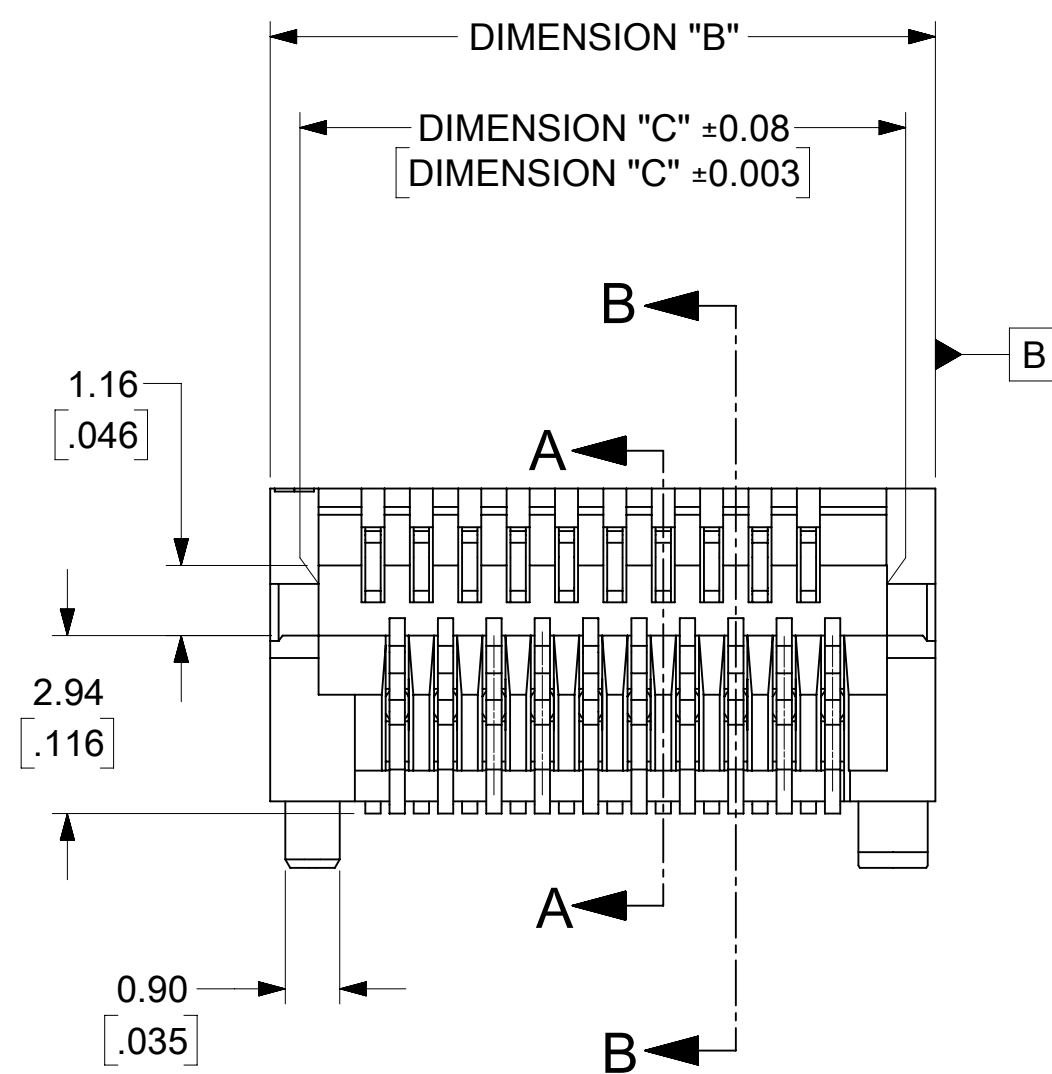
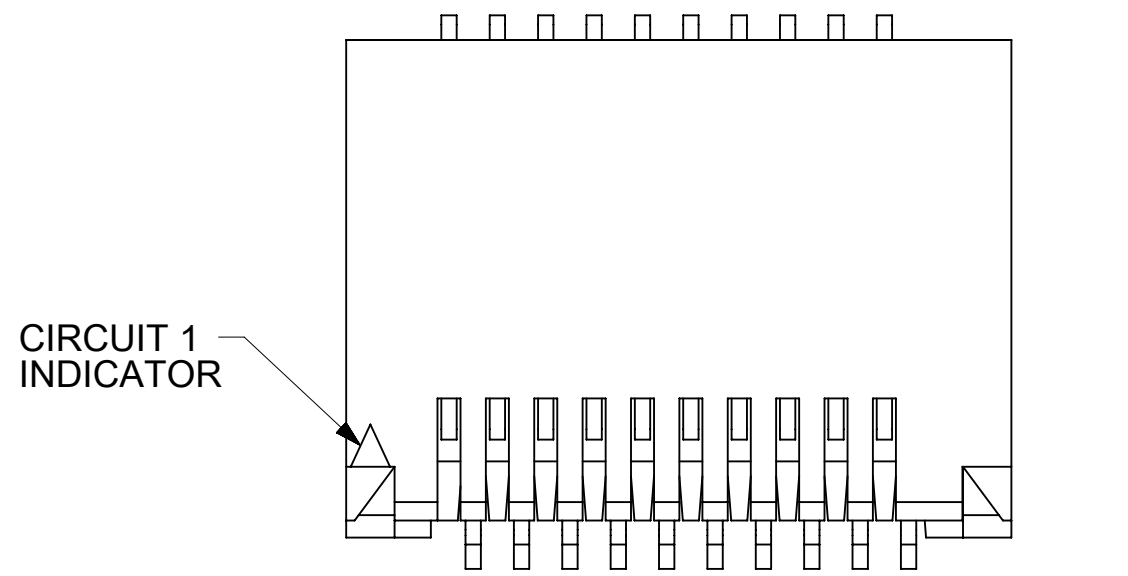
CKT SIZE	PART NUMBER	TOOLED	DESCRIPTION	DIMENSIONS				MULTI-SOURCE AGREEMENT	CIRCUIT BOARD LAYOUT
				"A"	"B"	"C"	"D"		
20	74441-0001	YES	PLATED PER NOTE 2	1.10/.043	11.00/.433	9.40/.370	9.60/.378	SFP	SEE SHEET 3
	74441-0004	NO*	PLATED PER NOTE 2	0.76/.030					
	74441-0010	YES	PLATED PER NOTE 3	1.10/.043					
	74441-0014	NO*	PLATED PER NOTE 3	0.76/.030					
	74441-0041	YES	PLATED PER NOTE 5	1.10/.043					
30	74441-0007	YES	PLATED PER NOTE 2	1.10/.043	15.00/.591	13.40/.528	13.60/.535	XFP	SEE SHEET 4
	74441-0017	YES	PLATED PER NOTE 3	1.10/.043					
70	74441-0003	YES	PLATED PER NOTE 2	1.10/.043	31.00/1.220	29.40/1.517	29.60/1.165	XENPAK XPAK X2	SEE SHEET 5

NOTES

- MATERIAL:
HOUSING - HIGH TEMPERATURE THERMOPLASTIC GLASS FILLED, UL 94V-0, BLACK
TERMINALS - COPPER ALLOY
- PLATING (SEE TABLE):
CONTACT AREA - 0.38 MICROMETER MINIMUM GOLD OVER NICKEL
SOLDER FOOT AREA - 2.54 MICROMETER MINIMUM TIN OVER NICKEL
- PLATING (SEE TABLE):
CONTACT AREA - 0.76 MICROMETER MINIMUM GOLD OVER NICKEL
SOLDER AREA - 2.54 MICROMETER MINIMUM TIN OVER NICKEL
- PLATING (SEE TABLE):
CONTACT AREA - 0.76 MICROMETER MINIMUM GOLD OVER 2.54 MICROMETERS MINIMUM NICKEL.
SOLDER AREA: GOLD FLASH OVER NICKEL.
- PLATING (SEE TABLE):
CONTACT AREA - 0.38 MICROMETER MINIMUM GOLD OVER NICKEL;
SOLDER AREA: GOLD FLASH OVER NICKEL.
- SOLDER FEET COPLANAR WITHIN 0.10/.004 FOR 20, 30 AND 40 CIRCUIT CONNECTORS, WITHIN 0.15/.006 FOR 50 AND 70 CIRCUIT CONNECTORS
- * CONTACT PLANT FOR MORE INFORMATION
- DATE CODE: 4 DIGIT (3 DIGIT DAY, 1 DIGIT YEAR)
- THE CIRCUIT 1 INDICATOR MAY VARY IN SIZE AND APPEARANCE.



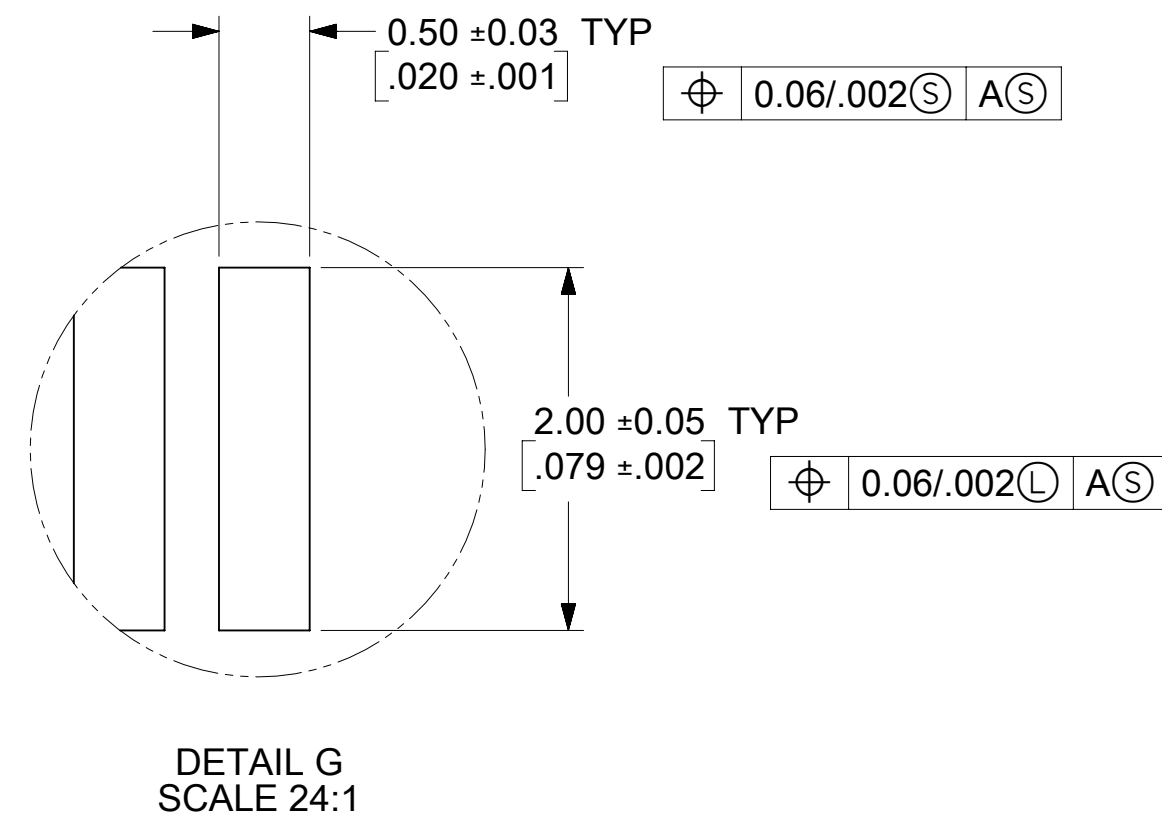
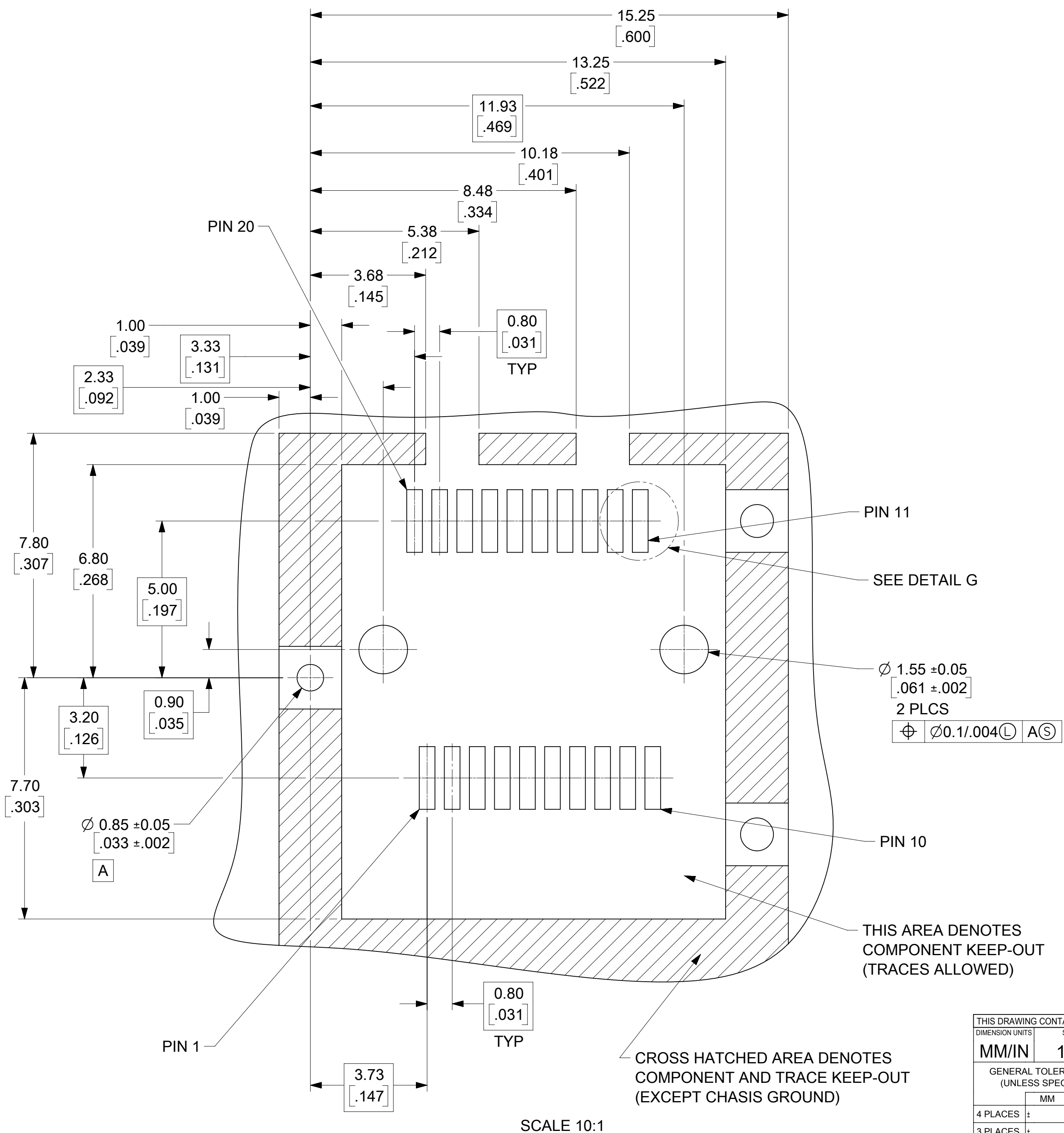
THIS DRAWING CONTAINS INFORMATION THAT IS PROPRIETARY TO MOLEX ELECTRONIC TECHNOLOGIES, LLC AND SHOULD NOT BE USED WITHOUT WRITTEN PERMISSION									
DIMENSION UNITS		SCALE		CURRENT REV DESC: OBSOLETE PART NUMBER AS PER PCN#510313					
MM/IN		8:1		molex SALES ASSEMBLY Z AXIS PLUGGABLE PCB CONNECTOR PRODUCT CUSTOMER DRAWING					
GENERAL TOLERANCES (UNLESS SPECIFIED)									
	MM		INCH	EC NO: 667545 DRWN: ABHISP1 2021/06/03 CHK'D: GGA 2021/07/05 APPR: GGA 2021/07/05 INITIAL REVISION: DRWN: HAVERY 2000/04/06 APPR: MBANAKIS 2000/04/06					
4 PLACES	±		±						
3 PLACES	±		± 0.005						
2 PLACES	±	0.13	± 0.01						
1 PLACE	±	0.25	±						
0 PLACES	±		±	DOCUMENT NUMBER		DOC TYPE	DOC PART	REVISION	
ANGULAR TOL ± 0.5 °				SD-74441-001		PSD	001	AC	
DRAFT WHERE APPLICABLE MUST REMAIN WITHIN DIMENSIONS		THIRD ANGLE PROJECTION		DRAWING	SERIES	MATERIAL NUMBER	CUSTOMER	SHEET NUMBER	
				C-SIZE	74441	SEE TABLE	GENERAL MARKET	1 OF 5	



THIS DRAWING CONTAINS INFORMATION THAT IS PROPRIETARY TO MOLEX ELECTRONIC TECHNOLOGIES, LLC AND SHOULD NOT BE USED WITHOUT WRITTEN PERMISSION

DIMENSION UNITS MM/IN		SCALE 8:1		CURRENT REV DESC: OBSOLETE PART NUMBER AS PER PCN#510313		molex			
GENERAL TOLERANCES (UNLESS SPECIFIED)				EC NO: 667545					
4 PLACES	±		±	DRWN: ABHISP1	2021/06/03	PRODUCT CUSTOMER DRAWING			
3 PLACES	±		± 0.005	CHK'D: GGA	2021/07/05				
2 PLACES	±	0.13	± 0.01	APPR: GGA	2021/07/05	DOCUMENT NUMBER SD-74441-001			
1 PLACE	±	0.25	±	INITIAL REVISION:					
0 PLACES	±		±	DRWN: HAVERY	2000/04/06	PSD	001	AC	
ANGULAR TOL		± 0.5 °		APPR: MBANAKIS	2000/04/06	MATERIAL NUMBER		CUSTOMER	SHEET NUMBER
DRAFT WHERE APPLICABLE MUST REMAIN WITHIN DIMENSIONS		THIRD ANGLE PROJECTION		DRAWING	SERIES	SEE TABLE		GENERAL MARKET	2 OF 5
					C-SIZE	74441			

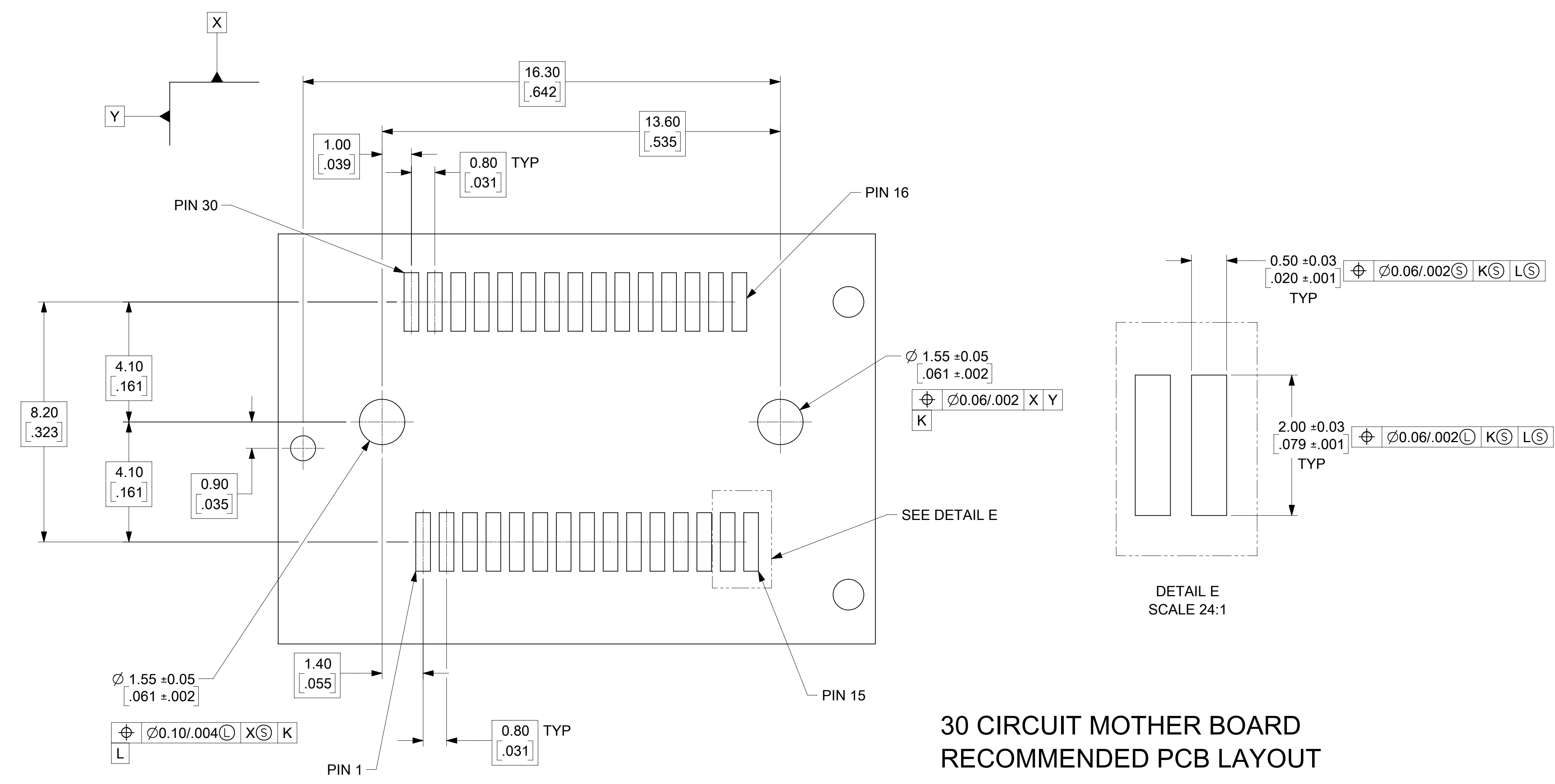
DOCUMENT STATUS	P1	RELEASE DATE	2021/07/05	08:38:25
-----------------	----	--------------	------------	----------



20 CIRCUIT MOTHER BOARD RECOMMENDED PCB LAYOUT

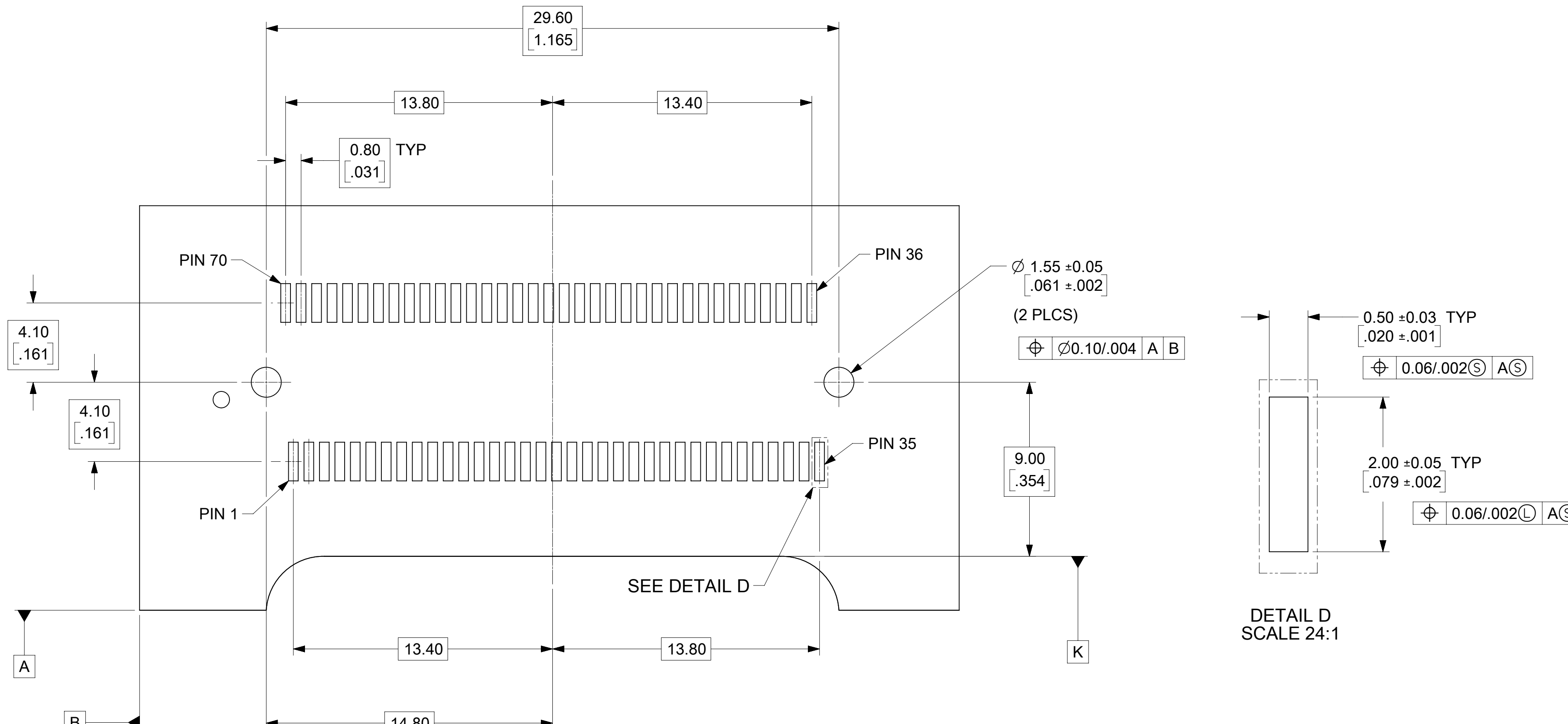
SCALE 10:1

THIS DRAWING CONTAINS INFORMATION THAT IS PROPRIETARY TO MOLEX ELECTRONIC TECHNOLOGIES, LLC AND SHOULD NOT BE USED WITHOUT WRITTEN PERMISSION											
DIMENSION UNITS		SCALE		CURRENT REV DESC: OBSOLETE PART NUMBER AS PER PCN#510313							
MM/IN		10:1		molex SALES ASSEMBLY Z AXIS PLUGGABLE PCB CONNECTOR PRODUCT CUSTOMER DRAWING EC NO: 667545 DRWN: ABHISP1 2021/06/03 CHK'D: GGA 2021/07/05 APPR: GGA 2021/07/05 INITIAL REVISION: DRWN: HAVERY 2000/04/06 APPR: MBANAKIS 2000/04/06							
GENERAL TOLERANCES (UNLESS SPECIFIED)											
	MM	INCH									
4 PLACES	±		±								
3 PLACES	±		± 0.005								
2 PLACES	± 0.13		± 0.01								
1 PLACE	± 0.25		±								
0 PLACES	±		±								
ANGULAR TOL		± 0.5 °		DOCUMENT NUMBER		DOC TYPE		DOC PART		REVISION	
DRAFT WHERE APPLICABLE MUST REMAIN WITHIN DIMENSIONS		THIRD ANGLE PROJECTION		DRAWING		SERIES		MATERIAL NUMBER		CUSTOMER	
				C-SIZE		74441		SD-74441-001		PSD 001 AC	
				SEE TABLE		GENERAL MARKET		SHEET NUMBER		3 OF 5	




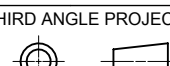
30 CIRCUIT MOTHER BOARD RECOMMENDED PCB LAYOUT

THIS DRAWING CONTAINS INFORMATION THAT IS PROPRIETARY TO MOLEX ELECTRONIC TECHNOLOGIES, LLC AND SHOULD NOT BE USED WITHOUT WRITTEN PERMISSION											
DIMENSION UNITS MM/IN		SCALE 6:1		CURRENT REV DESC: OBSOLETE PART NUMBER AS PER PCN#510313				molex		SALES ASSEMBLY Z AXIS PLUGGABLE PCB CONNECTOR	
GENERAL TOLERANCES (UNLESS SPECIFIED)				EC NO: 667545 DRWN: ABHISP1 CHK'D: GGA APPR: GGA							
4 PLACES ±		±		2021/06/03				PRODUCT CUSTOMER DRAWING			
3 PLACES ±		± 0.005		2021/07/05							
2 PLACES ±		0.13 ±		2021/07/05				DOCUMENT NUMBER SD-74441-001			
1 PLACE ±		0.25 ±		INITIAL REVISION:							
0 PLACES ±		±		DRWN: HAVERY APPR: MBANAKIS				DOC TYPE PSD		DOC PART 001	
ANGULAR TOL ± 0.5 °				2000/04/06 2000/04/06				SHEET NUMBER 4 OF 5			
DRAFT WHERE APPLICABLE MUST REMAIN WITHIN DIMENSIONS		THIRD ANGLE PROJECTION		DRAWING C-SIZE		SERIES 74441		MATERIAL NUMBER SEE TABLE		CUSTOMER GENERAL MARKET	



70 CIRCUIT MOTHER BOARD RECOMMENDED PCB LAYOUT

THIS DRAWING CONTAINS INFORMATION THAT IS PROPRIETARY TO MOLEX ELECTRONIC TECHNOLOGIES, LLC AND SHOULD NOT BE USED WITHOUT WRITTEN PERMISSION

DIMENSION UNITS MM/IN		SCALE 6:1		CURRENT REV DESC: OBSOLETE PART NUMBER AS PER PCN#510313		 SALES ASSEMBLY Z AXIS PLUGGABLE PCB CONNECTOR									
GENERAL TOLERANCES (UNLESS SPECIFIED)				EC NO: 667545						2021/06/03		DOC TYPE		DOC PART	
4 PLACES		±		±		DRWN: ABHISP1		2021/07/05		PSD		001		AC	
3 PLACES		±		± 0.005		CHK'D: GGA		2021/07/05		SD-74441-001		001		AC	
2 PLACES		± 0.13		± 0.01		APPR: GGA		2021/07/05		SEE TABLE		GENERAL MARKET		5 OF 5	
1 PLACE		± 0.25		±		INITIAL REVISION:				MATERIAL NUMBER		CUSTOMER		SHEET NUMBER	
0 PLACES		±		±		DRWN: HAVERY		2000/04/06		74441		GENERAL MARKET		5 OF 5	
ANGULAR TOL		± 0.5 °		±		APPR: MBANAKIS		2000/04/06		C-SIZE		GENERAL MARKET		5 OF 5	
DRAFT WHERE APPLICABLE MUST REMAIN WITHIN DIMENSIONS				THIRD ANGLE PROJECTION		DRAWING		SERIES		MATERIAL NUMBER		CUSTOMER		SHEET NUMBER	
						C-SIZE		74441		SEE TABLE		GENERAL MARKET		5 OF 5	

DOCUMENT STATUS	P1	RELEASE DATE	2021/07/05	08:38:25
-----------------	----	--------------	------------	----------