

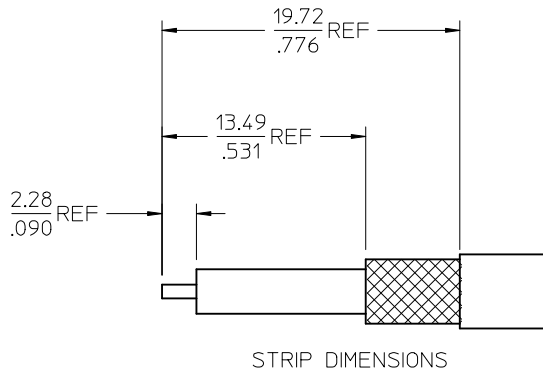
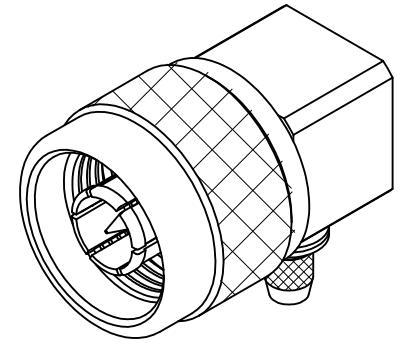
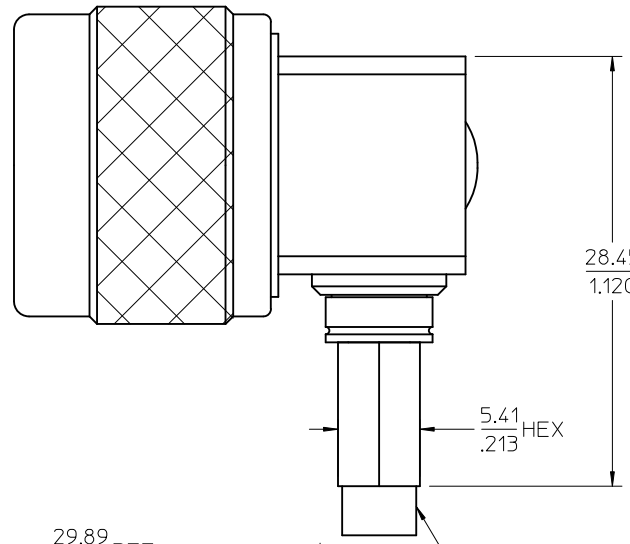
MATERIALS AND FINISHES

BODY, COUPLING NUT, CAP, OUTER CONTACT BRASS
PLATED NICKEL

CENTER CONTACT BRASS
PLATED GOLD

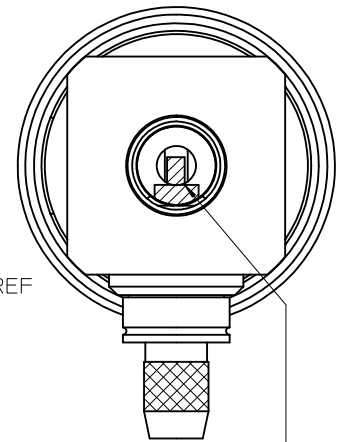
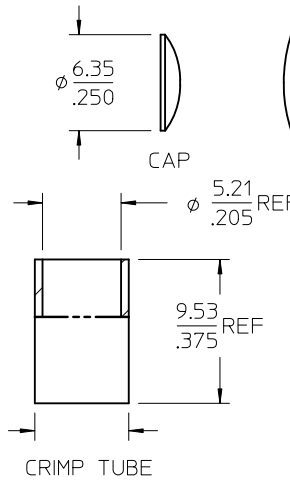
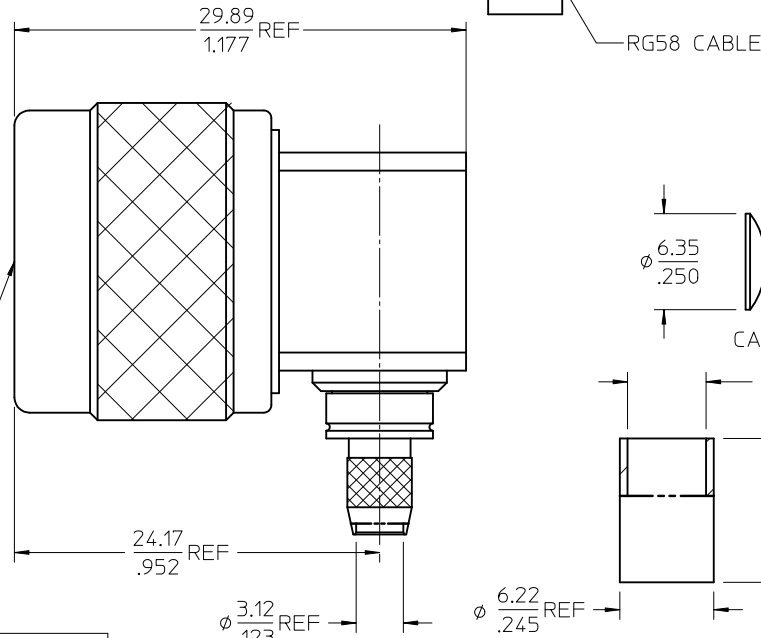
INSULATOR TEFLON

GASKET SILICONE RUBBER



STRIP DIMENSIONS

N PLUG
INTERFACE



CABLE DIELECTRIC MUST
COME CLOSE TO THE CENTER
CONTACT AS POSSIBLE

73276-0191	ONE PER BAG
73276-0190	STANDARD
PART NO.	PACKAGING

MIL-STD-348A, FIG. 304.1	INTERFACE
SPECIFICATION	DESCRIPTION

CHG: ADD -0191	DESCRIPTION
EC NO: URF2011-0614	2011/04/18
DRWN: JWIENER	2011/04/18
CHKD: SSS	2011/04/18
APPR: JWIENER	2011/04/20
REV	
B1	

QUALITY SYMBOLS	GENERAL TOLERANCES (UNLESS SPECIFIED)
▽=0	mm INCH
▽=0	4 PLACES ± --- ± ---
	3 PLACES ± --- ± ---
	2 PLACES ± --- ± ---
	1 PLACE ± --- ± ---
	ANGULAR ± 2 °
	DRAFT WHERE APPLICABLE MUST REMAIN WITHIN DIMENSIONS

DIMENSION STYLE	
MM/IN	
DRAWN BY	DATE
JM	2005/08/24
CHECKED BY	DATE
JM	2005/08/24
APPROVED BY	DATE
JDW	2005/08/24
MATERIAL NO.	DOCUMENT NO.
SEE TABLE	SD-73276-019
SIZE	THIS DRAWING CONTAINS INFORMATION THAT IS PROPRIETARY TO MOLEX INCORPORATED AND SHOULD NOT BE USED WITHOUT WRITTEN PERMISSION

SCALE	DESIGN UNITS	THIRD ANGLE PROJECTION
	METRIC	
TITLE		
N PLUG, R/A FOR RG58 CABLE, 50 OHMS EWR-2894, N-PC/RA		
MOLEX MOLEX INCORPORATED		
		SHEET NO.
		1 OF 1

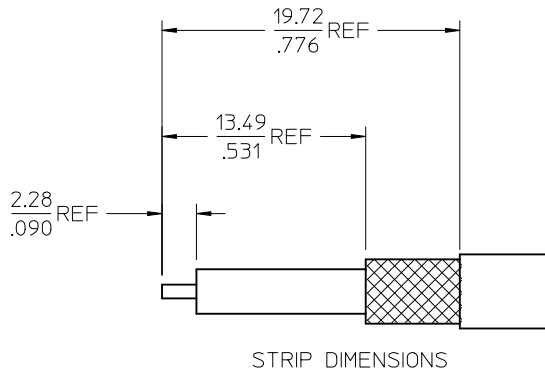
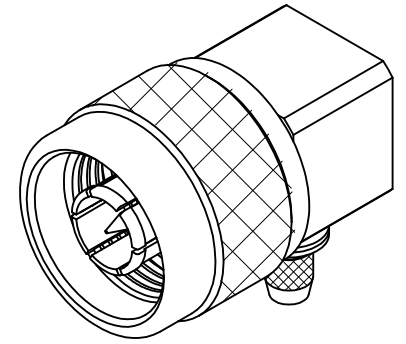
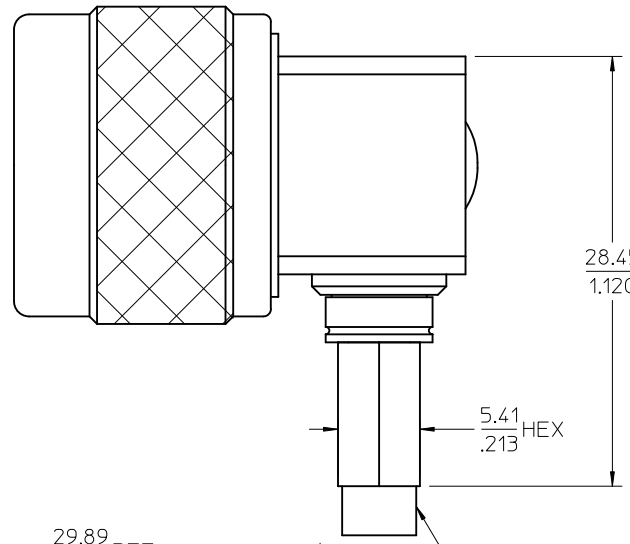
MATERIALS AND FINISHES

BODY, COUPLING NUT, CAP, OUTER CONTACT BRASS
PLATED NICKEL

CENTER CONTACT BRASS
PLATED GOLD

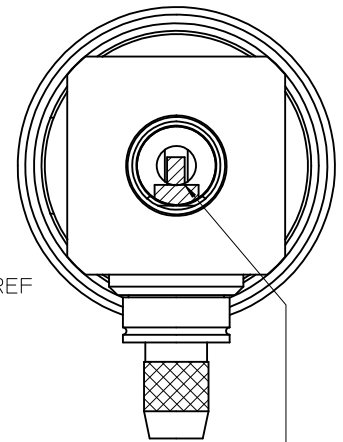
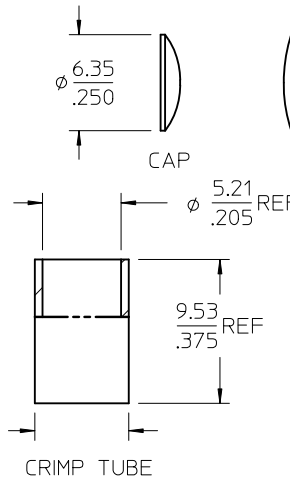
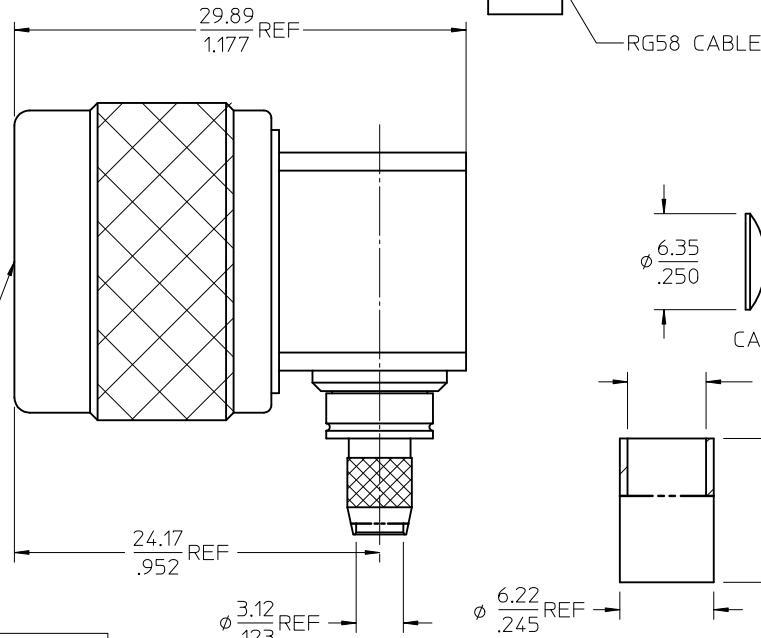
INSULATOR TEFLON

GASKET SILICONE RUBBER



STRIP DIMENSIONS

N PLUG
INTERFACE



CABLE DIELECTRIC MUST
COME CLOSE TO THE CENTER
CONTACT AS POSSIBLE

73276-0191	ONE PER BAG
73276-0190	STANDARD
PART NO.	PACKAGING

MIL-STD-348A, FIG. 304.1	INTERFACE
SPECIFICATION	DESCRIPTION

CHG: ADD -0191	EC NO: URF2011-0614	2011/04/18
	DRWN:JIENER	2011/04/18
REV	CHKD:SSS	2011/04/18
	APPR:JIENER	2011/04/20
DESCRIPTION		
B1		

QUALITY SYMBOLS
▽=0
▽=0

GENERAL TOLERANCES (UNLESS SPECIFIED)
4 PLACES ± --- ± ---
3 PLACES ± --- ± ---
2 PLACES ± --- ± ---
1 PLACE ± --- ± ---
ANGULAR ± 2 °
DRAFT WHERE APPLICABLE MUST REMAIN WITHIN DIMENSIONS

DIMENSION STYLE	
MM/IN	
DRAWN BY	DATE
JM	2005/08/24
CHECKED BY	DATE
JM	2005/08/24
APPROVED BY	DATE
JDW	2005/08/24
MATERIAL NO.	DOCUMENT NO.
SEE TABLE	SD-73276-019
SIZE	THIS DRAWING CONTAINS INFORMATION THAT IS PROPRIETARY TO MOLEX INCORPORATED AND SHOULD NOT BE USED WITHOUT WRITTEN PERMISSION

SCALE	DESIGN UNITS	THIRD ANGLE PROJECTION
	METRIC	
TITLE		
N PLUG, R/A FOR RG58 CABLE, 50 OHMS EWR-2894, N-PC/RA		
MOLEX MOLEX INCORPORATED		
MATERIAL NO.	DOCUMENT NO.	SHEET NO.
SEE TABLE	SD-73276-019	1 OF 1