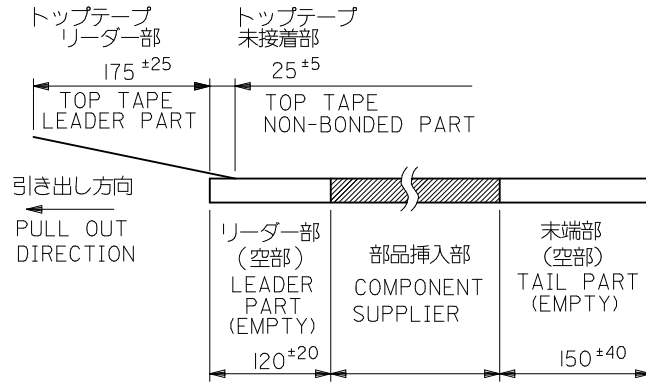
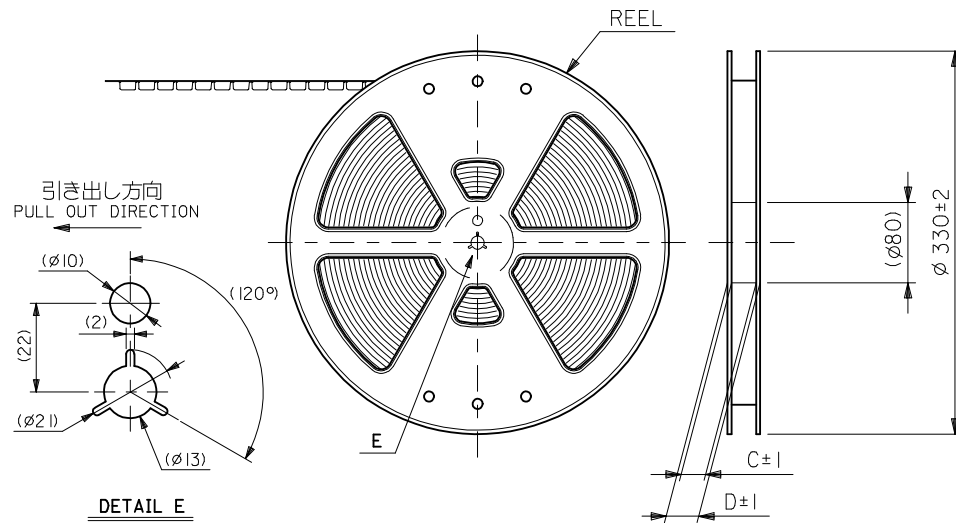


注記 NOTES

- 製品番号 52559-**-**19 の梱包状態はアクチュエータがロックした状態とする。
 詳細寸法については図面 SD-52559-**-**19 を参照下さい。
 IN THE PACKAGE,ACTUATOR OF PART NO.52559-**-**19 SHOULD BE LOCKED
 RE DETAILED DIMENSIONS,SEE SD-52559-**-**19
- 梱包数量：1000個/リール
 NUMBER OF CONNECTORS:1000PCS/REEL
- リードテープ長さ LEAD TAPE LENGTH

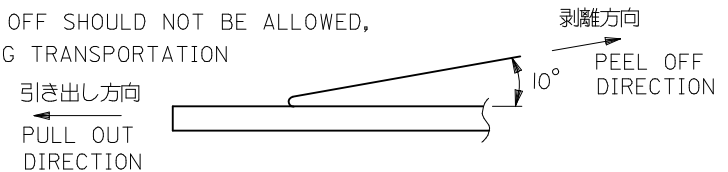


- 材料
 キャリアテープ：ポリプロピレン (PP)
 トップテープ：PET, PE, PEF
 リール：ポリスチレン (PS) <リサイクル材を含む>

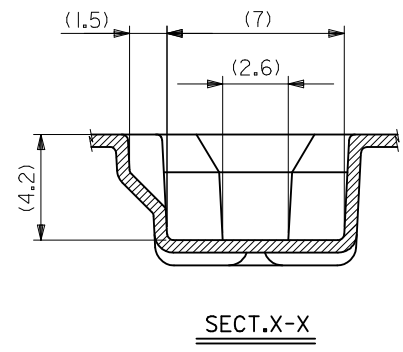
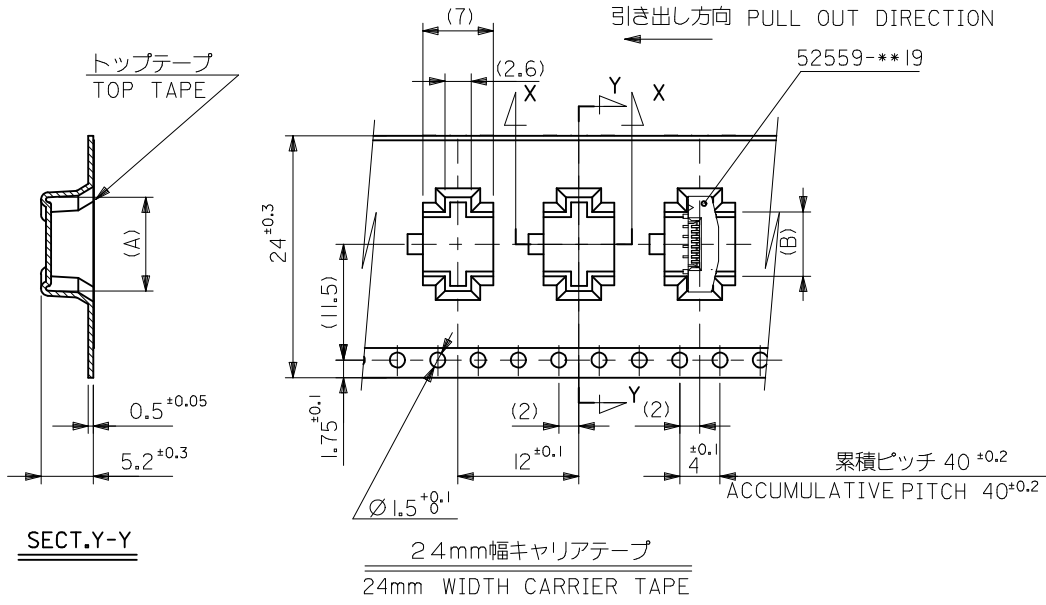
MATERIAL CARRIER TAPE:POLYPROPYLENE
 TOP TAPE:PET,PE,PEF
 REEL:POLYSTYREN(PS)
 <RECYCLE MATERIAL CONTAINED>

- 本製品は 52559-**-**90 の鉛フリー品である。
 THIS PRODUCT IS LEAD FREE OF
- 本製品は乾燥剤入り、ハイバリア梱包仕様である。
 THIS PRODUCT IS HIGH BARRIER PACKAGE WITH DESICCANT.

- トップテープの剥離強度：(剥離方向は下図参照)
 0.1N~1.3N {10gf~130gf}尚、本規格値は、出荷時に適用。
 (但し、輸送時に剥離が発生しない事。)
 PEELING OFF FORCE OF TOP TAPE
 0.1~1.3N(10gf~130gf)(PEELING DIRECTION AS SHOWN IN FOLLOWING FIG.)
 THIS REQUIREMENT SHOULD BE APPLIED AT SHIPMENT
 PEEL OFF SHOULD NOT BE ALLOWED,
 DURING TRANSPORTATION

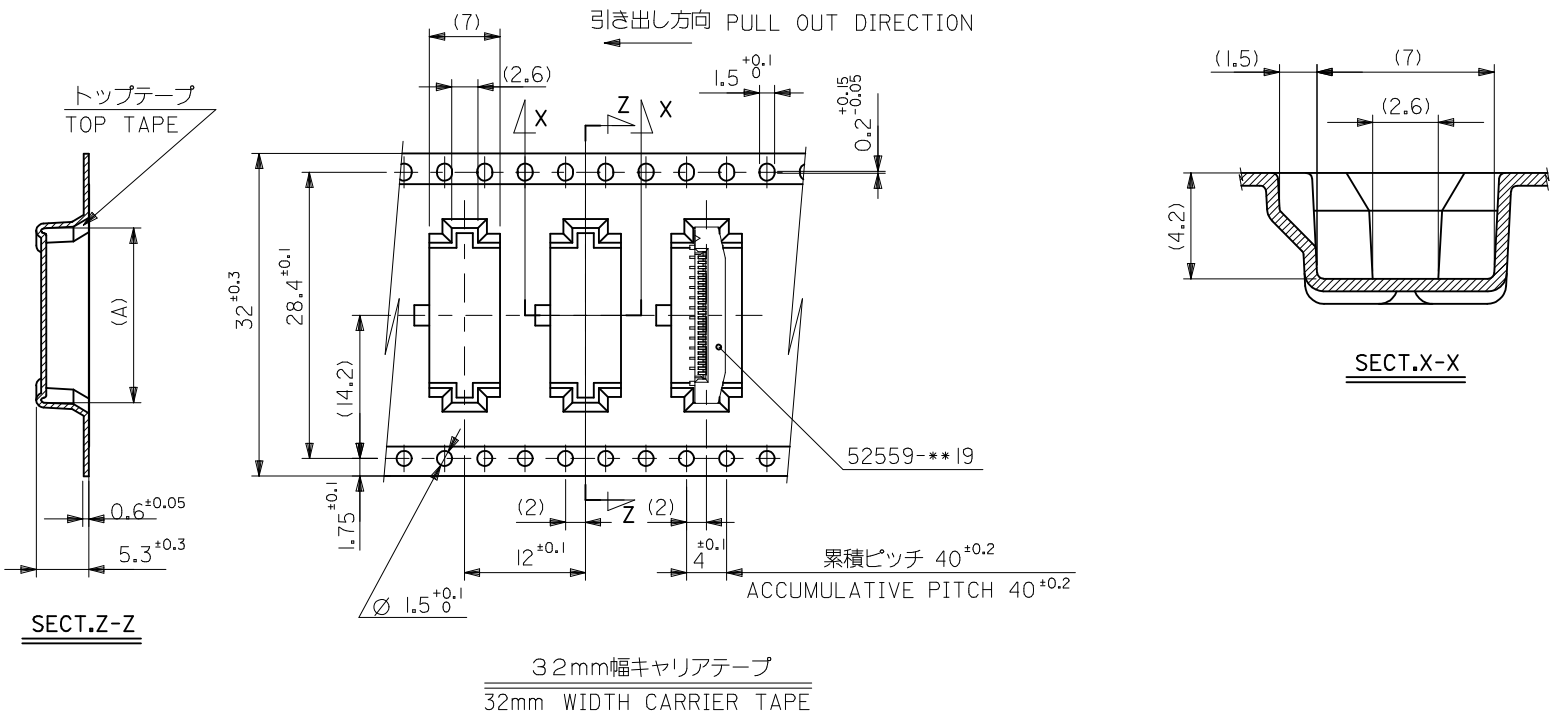


REVISED EC NO: J2016-0872 DRWN:FSATO 2016/02/16 CHKD:TAKAHASHI 2016/02/16 APPR:KUSUHARA01 2016/03/02	GENERAL TOLERANCES (UNLESS SPECIFIED)		DIMENSION STYLE MM ONLY		SCALE ---	DESIGN UNITS METRIC	MODEL NO. 52559-**-**70
	0.25 UNDER	UNDER	±0.2	DRAWN BY HSHIMABUKURO	DATE '04/01/07	TITLE 0.5 FPC CONN ASSY ZIF SMT SMT EMBSTP PKG -LEAD FREE-	
	0.25 OVER	0.5 UNDER	±0.2	CHECKED BY KTOJO	DATE '04/01/07		
	0.5 OVER	1.0 UNDER	±0.2	APPROVED BY MSASAO	DATE '04/01/07		
1.0 OVER	30 UNDER	±0.25	MATERIAL NO. SEE SHEET 2-4	DOCUMENT NO. SD-52559-029		SHEET NO. 1 OF 4	
30 OVER		±0.3	DRAFT WHERE APPLICABLE MUST REMAIN WITHIN DIMENSIONS		THIS DRAWING CONTAINS INFORMATION THAT IS PROPRIETARY TO MOLEX ELECTRONIC TECHNOLOGIES, LLC AND SHOULD NOT BE USED WITHOUT WRITTEN PERMISSION		



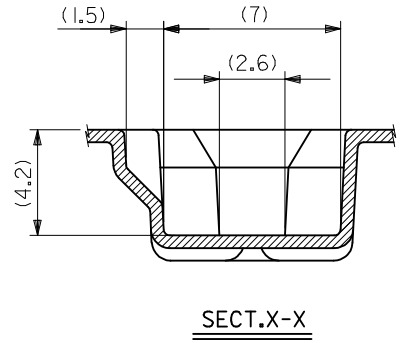
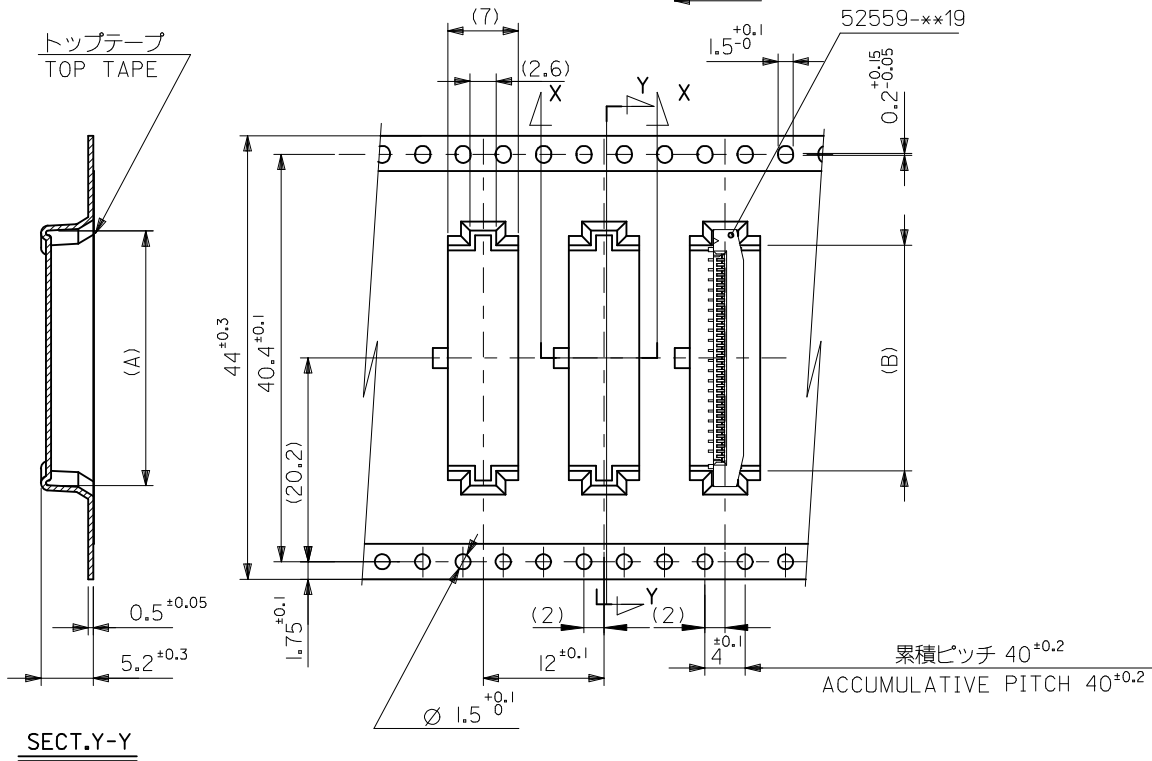
24	29.4	25.4	(B)	(A)	MATERIAL NO.	種数
			13.4	16.3	52559-2270	22
			12.4	15.3	52559-2070	20
			11.9	14.8	52559-1970	19
			11.4	14.3	52559-1870	18
			10.4	13.3	52559-1670	16
			9.4	12.3	52559-1470	14
			8.9	11.8	52559-1370	13
			8.4	11.3	52559-1270	12
			7.9	10.8	52559-1170	11
6.4	9.3	52559-0870	8			
5.4	8.3	52559-0670	6			

REVISED EC NO.: J2016-0872 DRWN:FSATO 2016/02/16 CHKD:KATAHASHI 2016/02/16 APPR:KUSUHARA01 2016/03/02	DESCRIPTION	GENERAL TOLERANCES (UNLESS SPECIFIED)	DIMENSION STYLE	SCALE	DESIGN UNITS	THIRD ANGLE PROJECTION	
	REV	0.25 UNDER UNDER ±0.2	MM ONLY	---	METRIC	☉	
		0.25 OVER 0.5 UNDER ±0.2	DRAWN BY DATE	TITLE			
		0.5 OVER 1.0 UNDER ±0.2	HSHIMABUKURO '04/01/07	0.5 FPC CONN ASSY ZIF			
		1.0 OVER 10 UNDER ±0.2	CHECKED BY DATE	SMT SMT EMBSTP PKG			
		10 OVER 30 UNDER ±0.25	KTOJO '04/01/07	-LEAD FREE-			
		30 OVER ±0.3	APPROVED BY DATE	molex			
		ANGULAR ±3 °	MSASAO '04/01/07	MATERIAL NO.	DOCUMENT NO.	SHEET NO.	
		DRAFT WHERE APPLICABLE MUST REMAIN WITHIN DIMENSIONS		SEE TABLE	SD-52559-029	2 OF 4	
				SIZE A3	THIS DRAWING CONTAINS INFORMATION THAT IS PROPRIETARY TO MOLEX ELECTRONIC TECHNOLOGIES, LLC AND SHOULD NOT BE USED WITHOUT WRITTEN PERMISSION		



REVISED	EC NO. J2016-0872	2016/02/16	DESCRIPTION	GENERAL TOLERANCES (UNLESS SPECIFIED)		DIMENSION STYLE	SCALE	DESIGN UNITS	THIRD ANGLE PROJECTION	
	DRWN:FSATO	2016/02/16		0.25 UNDER UNDER ±0.2	MM ONLY	---	METRIC	☉		
	CHKD:KATAHASHI	2016/02/16	0.25 OVER 0.5 UNDER ±0.2	DRAWN BY HSHIMABUKURO	DATE '04/01/07	TITLE				
	APPR:KUSUHARA01	2016/03/02	0.5 OVER 1.0 UNDER ±0.2	CHECKED BY KTOJO	DATE '04/01/07	0.5 FPC CONN ASSY ZIF SMT SMT EMBSTP PKG -LEAD FREE-				
			1.0 OVER 10 UNDER ±0.2	APPROVED BY MSASAO	DATE '04/01/07					
			30 OVER ±0.25	MATERIAL NO.	DOCUMENT NO. SD-52559-029					SHEET NO. 3 OF 4
			ANGULAR ±3 °	DRAFT WHERE APPLICABLE MUST REMAIN WITHIN DIMENSIONS		SIZE A3	THIS DRAWING CONTAINS INFORMATION THAT IS PROPRIETARY TO MOLEX ELECTRONIC TECHNOLOGIES, LLC AND SHOULD NOT BE USED WITHOUT WRITTEN PERMISSION			

引き出し方向 PULL OUT DIRECTION



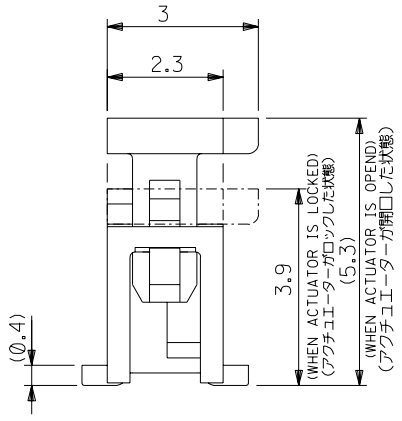
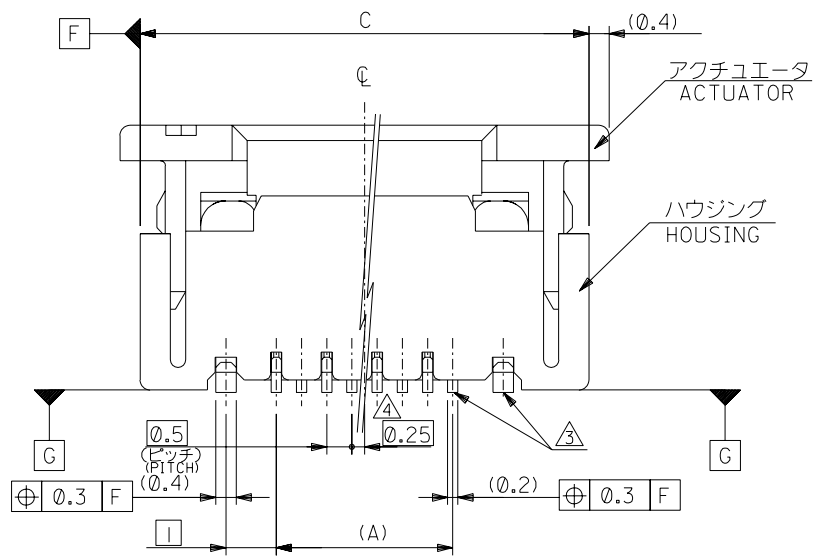
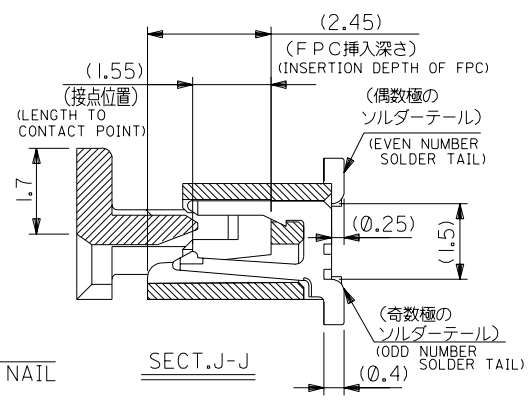
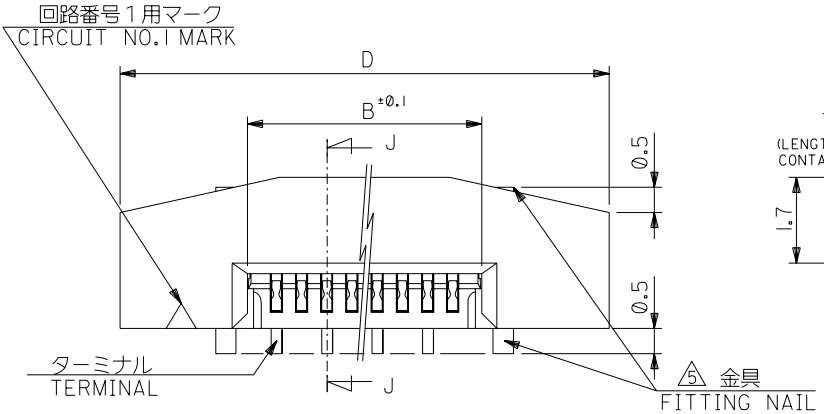
44mm幅キャリアテープ
44mm WIDTH CARRIER TAPE

MODEL No.52559-**70

44	49.4	45.4	22.4	25.3	52559-4070	40
			20.4	23.3	52559-3670	36
DIMENSION STYLE			SCALE		DESIGN UNITS	
MM ONLY			---		METRIC	
DRAWN BY			DATE		TITLE	
HSHIMABUKURO			'04/01/07		0.5 FPC CONN ASSY ZIF	
CHECKED BY			DATE		SMT ST EMBSTP PKG	
KTOJO			'04/01/07		-LEAD FREE-	
APPROVED BY			DATE			
MSASAO			'04/01/07			
MATERIAL NO.			DOCUMENT NO.			SHEET NO.
SEE TABLE			SD-52559-029			4 OF 4

REVISED	EC NO: J2016-0872	2016/02/16	DESCRIPTION	
	DRWN:FSATO	2016/02/16		
	CHKD:KATAHASHI	2016/02/16		
	APPR:KUSUHARA01	2016/03/02		
	REV			
GENERAL TOLERANCES (UNLESS SPECIFIED)				
0.25	UNDER	UNDER	±0.2	
0.25	OVER	0.5	UNDER	±0.2
0.5	OVER	1.0	UNDER	±0.2
1.0	OVER	10	UNDER	±0.2
10	OVER	30	UNDER	±0.25
30	OVER			±0.3
ANGULAR		±3	°	
DRAFT WHERE APPLICABLE MUST REMAIN WITHIN DIMENSIONS				

SIZE	THIS DRAWING CONTAINS INFORMATION THAT IS PROPRIETARY TO MOLEX ELECTRONIC TECHNOLOGIES, LLC AND SHOULD NOT BE USED WITHOUT WRITTEN PERMISSION		
A3			



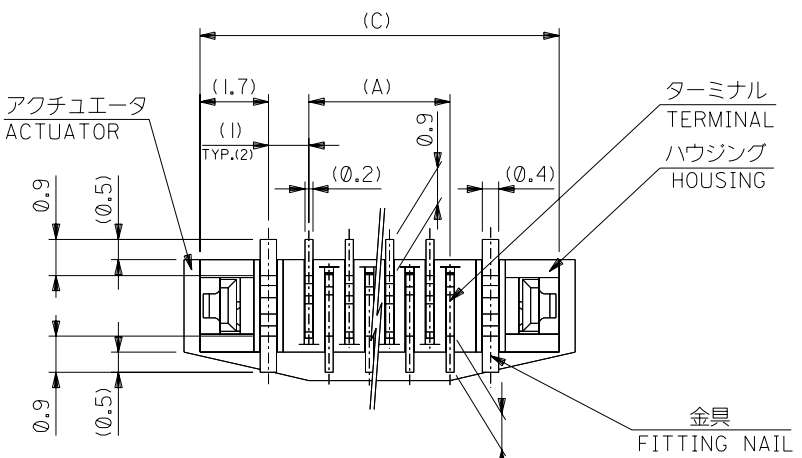
注記 NOTES

- 使用材料 : MATERIAL
 ハウジング :46NYLON UL94V-0
 HOUSING
 アクチュエータ :PPS UL94V-0
 ACTUATOR
 ターミナル :リン青銅 (t=0.2)
 TERMINAL PHOS-BRO
 :錫ビスマスメッキ 1.0マイクロメートル以上
 TIN-BISMUTH 1.0 MICROMETER MINIMUM
 :ニッケル下地 1.0マイクロメートル以上
 NICKEL(UNDER PLATING) 1.0 MICROMETER MINIMUM
 金具 :リン青銅 (t=0.4)
 FITTING NAIL PHOS-BRO
 :錫メッキ 1.0マイクロメートル以上
 TIN 1.0 MICROMETER MINIMUM
 :ニッケル下地 1.0マイクロメートル以上
 NICKEL(UNDER PLATING) 1.0 MICROMETER MINIMUM
- エンボスステップ梱包時は、アクチュエータがロックした状態とする。
 IN THE PACKAGE,ACTUATOR OF PART NO.52559-019 SHOULD BE LOCKED.
 △ソルダータール半田付け面のズレ量、及び金具半田付け面のズレ量は、基準面 G に対し上方向 0.05 MAX. , 下方向 0.15 MAX. とする。
 MISALIGNMENT OF SOLDER TAILS AND FITTING NAILS FROM UPPER DIRECTION: 0.05 MAX. , LOWER DIRECTION: 0.15 MAX.
 △偶数種に適用。
 APPLY FOR EVEN CIRCUIT.
 △パターンはくり止め用金具。
 FITTING NAIL FOR PREVENTION OF PEELING OF P.C.B. PATTERN.
 △R0.3は、FPCの導体部にかからないこと。
 R0.3 MUST NOT BE OVERLAPPED TO PATTERN OF FPC.
- 本製品は 52559-019 の鉛フリー品である。
 THIS PRODUCT IS LEAD FREE OF 52559-019

DO NOT SCALE DRAWING

① 64NO. DRWN: CH'K: APPR: ② 63NO. DRWN: CH'K: APPR: ③ 62NO. DRWN: CH'K: APPR:		REVISED ④ 61NO. J2004-3551 DRWN: H. KAWABATA 04/04/05 CH'K: K. TOJO 04/04/05 APPR: H. Saito 04/04/05 RELEASED ⑤ 60NO. J2004-1818 DRWN: H. SHIMABUKURO 04/01/07 CH'K: K. TOJO 04/01/07 APPR: H. Saito 04/01/07		MATERIAL 材料 注記参照 SEE NOTES FINISH 仕上げ WIRE RANGE 適用層線範囲 INS. RANGE 被覆外径		GENERAL TOLERANCES: (UNLESS SPECIFIED) 一般公差 ① 0 UNDER 未満 ±0.2 ② 0 OVER 以上 30 UNDER 未満 ±0.25 ③ 30 OVER 以上 ±0.3 ANGLE 角度 ±3°		SCALE 縮尺 DESIGN UNITS 設計単位 ④ 20° 2ND ANGLE PROJECTION DRAWN BY & DATE H. SHIMABUKURO '04/01/07 CHECKED BY & DATE K. TOJO '04/01/07 APPROVED BY & DATE H. Saito '04/01/07 CAD FILENAME SD-52559-045.S01		MODEL NO. 52559-019 DIMENSIONS: ① mm ② INCH ③ mm ONLY SHT 1 OF 2 REV B TITLE: 0.5 FPC Conn. Assy ZIF. -LEAD FREE- MOLEX MOLEX INCORPORATED MATERIAL NO. SEE CHART DRAWING NO. SD-52559-045 SHEET NO. 1 OF 2 SIZE B	
---	--	--	--	--	--	--	--	--	--	---	--

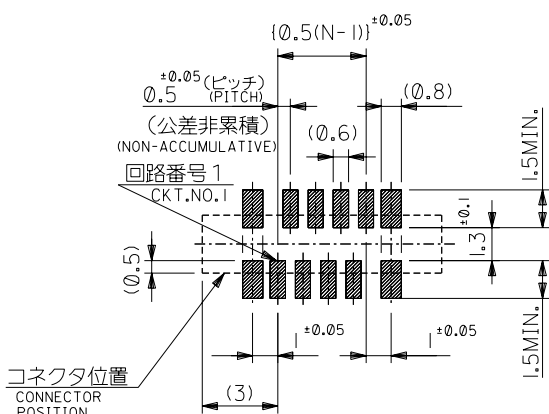
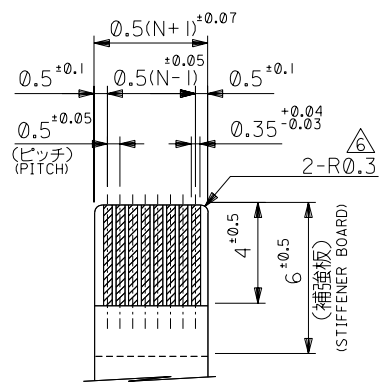
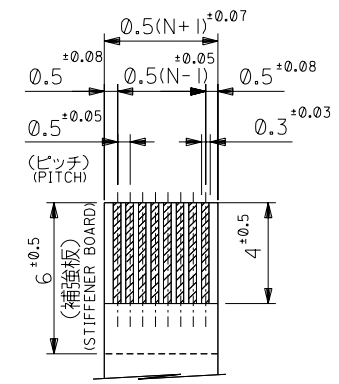
DWG. NO. SD-52559-045



FPCについて：
 打抜き方向は導体側から補強板側を推奨致します。
 補強フィルム材質はポリイミドを推奨致します。
 接着剤は熱硬化接着剤を推奨致します。

ABOUT FPC :
 RECOMMENDED PUNCHER DIRECTION : FROM CONDUCTOR SIDE TO STIFFENER BOARD SIDE.
 RECOMMENDED MATERIAL :
 STIFFENER FILM : POLYIMIDE
 BONDING AGENT : THERMOSETTING BONDING AGENT

下面図
 BOTTOM VIEW



適合FPC推奨寸法
 APPLICABLE FPC
 RECOMMENDED DIMENSION.
 (仕上がり厚さ: 0.3±0.05)
 (THICKNESS: 0.3±0.05)

適合FPC推奨寸法
 APPLICABLE FPC
 RECOMMENDED DIMENSION.
 (仕上がり厚さ: 0.3±0.05)
 (THICKNESS: 0.3±0.05)

参考基板レイアウト
 (マウント面)
 RECOMMENDED P.C. BOARD
 PATTERN DIMENSION (REF.)
 (MOUNTING SIDE)

25.7	24.9	20.65	19.5	52559-4019	40
23.7	22.9	18.65	17.5	-3619	36
22.2	21.4	17.15	16.0	-3319	33
21.7	20.9	16.65	15.5	-3219	32
21.2	20.4	16.15	15.0	-3119	31
20.7	19.9	15.65	14.5	-3019	30
20.2	19.4	15.15	14.0	-2919	29
19.7	18.9	14.65	13.5	-2819	28
19.2	18.4	14.15	13.0	-2719	27
18.7	17.9	13.65	12.5	-2619	26
18.2	17.4	13.15	12.0	-2519	25
17.7	16.9	12.65	11.5	-2419	24
17.2	16.4	12.15	11.0	-2319	23
16.7	15.9	11.65	10.5	-2219	22
16.2	15.4	11.15	10.0	-2119	21
15.7	14.9	10.65	9.5	-2019	20
15.2	14.4	10.15	9.0	-1919	19
14.7	13.9	9.65	8.5	-1819	18
14.2	13.4	9.15	8.0	-1719	17
13.7	12.9	8.65	7.5	-1619	16
13.2	12.4	8.15	7.0	-1519	15
12.7	11.9	7.65	6.5	-1419	14
12.2	11.4	7.15	6.0	-1319	13
11.7	10.9	6.65	5.5	-1219	12
11.2	10.4	6.15	5.0	-1119	11
10.7	9.9	5.65	4.5	-1019	10
10.2	9.4	5.15	4.0	-0919	9
9.7	8.9	4.65	3.5	-0819	8
8.7	7.9	3.65	2.5	52559-0619	6
D	C	B	(A)	MATERIAL NO.	極数

DO NOT SCALE DRAWING

図番 NO. DRWN: CHK: APPR:	図番 NO. DRWN: CHK: APPR:	図番 NO. DRWN: CHK: APPR:	REVISED 図番 NO. J2004-3551 DRWN: H.KAWABATA '04/04/05 CHK: K.TOJO '04/04/05 APPR: H. Saito '04/04/05	RELEASED 図番 NO. J2004-1818 DRWN: H.SHIMABUKURO '04/01/07 CHK: K.TOJO '04/01/07 APPR: H. Saito '04/01/07	MATERIAL 材料 注記参照 SEE NOTES	GENERAL TOLERANCES: (UNLESS SPECIFIED) 一般公差 10 UNDER 未滿 ±0.2 10 OVER 以上 30 UNDER 未滿 ±0.25 30 OVER 以上 ±0.3	SCALE DESIGN UNITS <input checked="" type="checkbox"/> mm <input type="checkbox"/> INCH PROJECTION <input checked="" type="checkbox"/> FIRST ANGLE	MODEL NO. 52559-***19 DIMENSIONS: <input type="checkbox"/> mm <input type="checkbox"/> INCH <input checked="" type="checkbox"/> mm ONLY SHT REV	TITLE: 0.5 FPC Conn. Assy ZIF. -LEAD FREE-
			WIRE RANGE 適用 層数 範囲	FINISH 仕上げ	DRAWN BY & DATE H.SHIMABUKURO '04/01/07	CHECKED BY & DATE K.TOJO '04/01/07	APPROVED BY & DATE H. Saito '04/01/07	CAD FILENAME SD-52559-045.S02	MATERIAL NO. SEE CHART
INS. RANGE 被覆 外径	REV	A	O	注記参照 SEE NOTES	ANGLE 角度 ±3°	DRAWING CONTAINS INFORMATION THAT IS PROPRIETARY TO MOLEX INCORPORATED AND SHOULD NOT BE USED WITHOUT WRITTEN PERMISSION.	SIZE B	EN-02J(097) MXJ-54	SD-52559-045.S02