



ABSTRACT

This document describes the known exceptions to the functional specifications (advisories).

Table of Contents

1 Functional Advisories	2
2 Preprogrammed Software Advisories	2
3 Debug Only Advisories	2
4 Fixed by Compiler Advisories	3
5 Nomenclature, Package Symbolization, and Revision Identification	4
5.1 Device Nomenclature.....	4
5.2 Package Markings.....	4
5.3 Memory-Mapped Hardware Revision (TLV Structure).....	5
6 Advisory Descriptions	6
7 Revision History	16

1 Functional Advisories

Advisories that affect the device's operation, function, or parametrics.

✓ The check mark indicates that the issue is present in the specified revision.

Errata Number	Rev AE	Rev AD	Rev AB	Rev AA	Rev S	Rev Q	Rev O	Rev N	Rev M	Rev L
ADC1	✓	✓	✓	✓	✓	✓	✓	✓	✓	✓
ADC5	✓	✓	✓	✓	✓	✓	✓	✓	✓	✓
ADC7	✓	✓	✓	✓	✓	✓	✓	✓	✓	✓
ADC8	✓	✓	✓	✓	✓	✓	✓	✓	✓	✓
ADC9	✓	✓	✓	✓	✓	✓	✓	✓	✓	✓
ADC10	✓	✓	✓	✓	✓	✓	✓	✓	✓	✓
ADC11										✓
ADC18	✓	✓	✓	✓	✓	✓	✓	✓	✓	✓
ADC25	✓	✓	✓	✓	✓	✓	✓	✓	✓	✓
BCL5	✓	✓	✓	✓	✓	✓	✓	✓	✓	✓
PORT3	✓	✓	✓	✓	✓	✓	✓	✓	✓	✓
RES3	✓	✓	✓	✓	✓	✓	✓	✓	✓	✓
RES4	✓	✓	✓	✓	✓	✓	✓	✓	✓	✓
TA12	✓	✓	✓	✓	✓	✓	✓	✓	✓	✓
TA16	✓	✓	✓	✓	✓	✓	✓	✓	✓	✓
TA21	✓	✓	✓	✓	✓	✓	✓	✓	✓	✓
TAB22	✓	✓	✓	✓	✓	✓	✓	✓	✓	✓
TB1	✓	✓	✓	✓	✓	✓	✓	✓	✓	✓
TB2	✓	✓	✓	✓	✓	✓	✓	✓	✓	✓
TB3	✓	✓	✓	✓	✓	✓	✓	✓	✓	✓
TB4	✓	✓	✓	✓	✓	✓	✓	✓	✓	✓
TB14	✓	✓	✓	✓	✓	✓	✓	✓	✓	✓
TB16	✓	✓	✓	✓	✓	✓	✓	✓	✓	✓
TB24	✓	✓	✓	✓	✓	✓	✓	✓	✓	✓
US13	✓	✓	✓	✓	✓	✓	✓	✓	✓	✓
US14	✓	✓	✓	✓	✓	✓	✓	✓	✓	✓
US15	✓	✓	✓	✓	✓	✓	✓	✓	✓	✓
WDG2	✓	✓	✓	✓	✓	✓	✓	✓	✓	✓

2 Preprogrammed Software Advisories

Advisories that affect factory-programmed software.

✓ The check mark indicates that the issue is present in the specified revision.

Errata Number	Rev AE	Rev AD	Rev AB	Rev AA	Rev S	Rev Q	Rev O	Rev N	Rev M	Rev L
BSL3	✓	✓	✓	✓	✓	✓	✓	✓	✓	✓
BSL4	✓	✓	✓	✓	✓	✓	✓	✓	✓	✓
BSL5	✓	✓	✓	✓	✓	✓	✓	✓	✓	✓

3 Debug Only Advisories

Advisories that affect only debug operation.

✓ The check mark indicates that the issue is present in the specified revision.

Errata Number	Rev AE	Rev AD	Rev AB	Rev AA	Rev S	Rev Q	Rev O	Rev N	Rev M	Rev L
EEM20	✓	✓	✓	✓	✓	✓	✓	✓	✓	✓

4 Fixed by Compiler Advisories

Advisories that are resolved by compiler workaround. Refer to each advisory for the IDE and compiler versions with a workaround.

✓ The check mark indicates that the issue is present in the specified revision.

Errata Number	Rev AE	Rev AD	Rev AB	Rev AA	Rev S	Rev Q	Rev O	Rev N	Rev M	Rev L
CPU4	✓	✓	✓	✓	✓	✓	✓	✓	✓	✓

Refer to the following MSP430 compiler documentation for more details about the CPU bugs workarounds.

TI MSP430 Compiler Tools (Code Composer Studio IDE)

- [MSP430 Optimizing C/C++ Compiler](#): Check the --silicon_errata option
- [MSP430 Assembly Language Tools](#)

MSP430 GNU Compiler (MSP430-GCC)

- [MSP430 GCC Options](#): Check -msilicon-errata= and -msilicon-errata-warn= options
- [MSP430 GCC User's Guide](#)

IAR Embedded Workbench

- [IAR workarounds for msp430 hardware issues](#)

5 Nomenclature, Package Symbolization, and Revision Identification

The revision of the device can be identified by the revision letter on the [Package Markings](#) or by the [HW_ID](#) located inside the TLV structure of the device.

5.1 Device Nomenclature

To designate the stages in the product development cycle, TI assigns prefixes to the part numbers of all MSP MCU devices. Each MSP MCU commercial family member has one of two prefixes: MSP or XMS. These prefixes represent evolutionary stages of product development from engineering prototypes (XMS) through fully qualified production devices (MSP).

XMS – Experimental device that is not necessarily representative of the final device's electrical specifications

MSP – Fully qualified production device

Support tool naming prefixes:

X: Development-support product that has not yet completed Texas Instruments internal qualification testing.

null: Fully-qualified development-support product.

XMS devices and X development-support tools are shipped against the following disclaimer:

"Developmental product is intended for internal evaluation purposes."

MSP devices have been characterized fully, and the quality and reliability of the device have been demonstrated fully. TI's standard warranty applies.

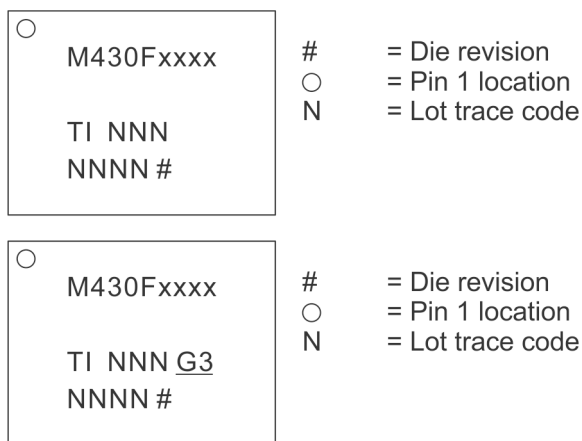
Predictions show that prototype devices (XMS) have a greater failure rate than the standard production devices. TI recommends that these devices not be used in any production system because their expected end-use failure rate still is undefined. Only qualified production devices are to be used.

TI device nomenclature also includes a suffix with the device family name. This suffix indicates the temperature range, package type, and distribution format.

5.2 Package Markings

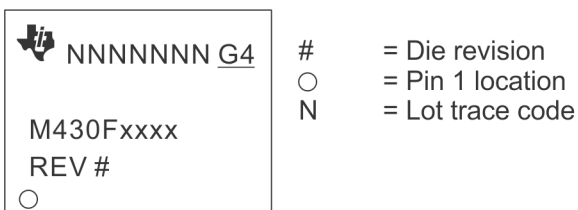
RTD64

QFN (RTD), 64 Pin



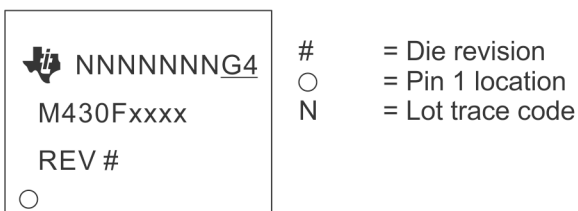
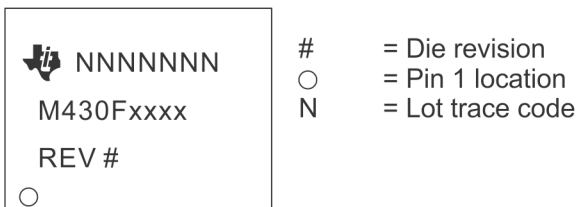
PM64

LQFP (PM), 64 Pin



PAG64

TQFP (PAG), 64 Pin



5.3 Memory-Mapped Hardware Revision (TLV Structure)

This device does not support reading the hardware revision from memory.

Further guidance on how to locate the TLV structure and read out the HW_ID can be found in the device User's Guide.

6 Advisory Descriptions

ADC1	ADC Module
Category	Functional
Function	Start of conversion
Description	In single conversion/sequence mode (CONSEQ=0/1), the next conversion can be started with ADC12SC. It is not necessary to clear ENC before setting ADC12SC. This is contrary to the specification.
Workaround	None
ADC5	ADC Module
Category	Functional
Function	Interrupt flag register
Description	ADC12 interrupt flag may not be set when the CPU simultaneously accesses the ADC12IFG register.
Workaround	There is no need to access the interrupt flag register to process interrupt situations. Please use the ADC12IV register to identify the interrupt event. The corresponding flag bits will be reset automatically. Additional details are discussed in the device family user's guide.
ADC7	ADC Module
Category	Functional
Function	Conversion time overflow
Description	The timing overflow flag is set when the device is in sequence mode (CONSEQ = 1 or 3) and MSC = 0, even if no overflow has occurred.
Workaround	Verify correct timing and do not enable Conversion-Time Overflow interrupt.
ADC8	ADC Module
Category	Functional
Function	Interrupt flag register
Description	Clearing flags in the interrupt flag register with a CPU instruction will not clear the latest interrupt flag.
Workaround	Clear interrupt flags by accessing the conversion-memory registers.
ADC9	ADC Module
Category	Functional
Function	Interrupt vector register
Description	If the ADC12 uses a different clock than the CPU (MCLK) and more than one ADC interrupt is enabled, the ADC12IV register content may be unpredictable for one clock

cycle. This happens if, during the execution of an ADC interrupt, another ADC interrupt with higher priority occurs.

- Workaround**
- Read out ADC12IV twice and use only when values are equal.
 - or
 - Use ADC12IFG to determine which interrupt has occurred.

ADC10 *ADC Module*

Category Functional

Function Unintended start of conversion

Description Accessing ADC12OVIE or ADC12TOVIE at the end of an ADC12 conversion with BIS/BIC commands can cause the ADC12SC bit to be set again immediately after it was cleared. This might start another conversion, if ADC12SC is configured to trigger the ADC (SHS = 0).

- Workaround**
- If ADC12SC is configured to trigger the ADC, the control bits ADC12OVIE and ADC12TOVIE should be modified only when the ADC is not busy (ADC12BUSY = 0).

ADC11 *ADC Module*

Category Functional

Function Temporary leakage current after conversion

Description The ADC12 causes temporary leakage current after a completed conversion. Duration and magnitude of the leakage current depends on parasitic effects.

Workaround None

ADC18 *ADC Module*

Category Functional

Function Incorrect conversion result in extended sample mode

Description The ADC12 conversion result can be incorrect if the extended sample mode is selected (SHP = 0), the conversion clock is not the internal ADC12 oscillator (ADC12SSEL > 0), and one of the following two conditions is true:

- The extended sample input signal SHI is asynchronous to the clock source used for ADC12CLK and the undivided ADC12 input clock frequency exceeds 3.15 MHz.
- or
- The extended sample input signal SHI is synchronous to the clock source used for ADC12CLK and the undivided ADC12 input clock frequency exceeds 6.3 MHz.

- Workaround**
- Use the pulse sample mode (SHP = 1).
 - or
 - Use the ADC12 internal oscillator as the ADC12 clock source.
 - or
 - Limit the undivided ADC12 input clock frequency to 3.15 MHz.
 - or
 - Use the same clock source (such as ACLK or SMCLK) to derive both SHI and ADC12CLK, to achieve synchronous operation, and also limit the undivided ADC12 input clock frequency to 6.3 MHz.

ADC25	ADC Module
Category	Functional
Function	Write to ADC12CTL0 triggers ADC12 when CONSEQ = 00
Description	If ADC conversions are triggered by the Timer_B module and the ADC12 is in single-channel single-conversion mode (CONSEQ = 00), ADC sampling is enabled by write access to any bit(s) in the ADC12CTL0 register. This is contrary to the expected behavior that only the ADC12 enable conversion bit (ADC12ENC) triggers a new ADC12 sample.
Workaround	When operating the ADC12 in CONSEQ=00 and a Timer_B output is selected as the sample and hold source, temporarily clear the ADC12ENC bit before writing to other bits in the ADC12CTL0 register. The following capture trigger can then be re-enabled by setting ADC12ENC = 1.
BCL5	BCL Module
Category	Functional
Function	RSELx bit modifications can generate high frequency spikes on MCLK
Description	When DIVMx = 00 or 01 the RSELx bits of the Basic Clock Module are incremented or decremented in steps of 2 or greater, the DCO output may momentarily generate high frequency spikes on MCLK, which may corrupt CPU operation. This is not an issue when DIVMx = 10 or 11.
Workaround	Set DIVMx = 10 or 11 to divide the MCLK input prior to modifying RSELx. After the RSELx bits are configured as desired, the DIVMx setting can be changed back to the original selection.
BSL3	BSL Module
Category	Software in ROM
Function	Receiving framesBug
Description	Receiving frames with a checksum value equal to a legal address can change the content of this address or the bootstrap loader may stop operation.
Workaround	Software workaround is available as part of BSLDEMO.exe, found as part of the BSL-SCRIPTER download on the page for MSPBSL .
BSL4	BSL Module
Category	Software in ROM
Function	Flash memory can not be programmed
Description	The bootstrap loader software cannot program the flash memory.
Workaround	Software workaround is available as part of BSLDEMO.exe, found as part of the BSL-SCRIPTER download on the page for MSPBSL
BSL5	BSL Module
Category	Software in ROM

Function BSL might not start if RST/NMI pin is configured as NMI input

Description If the RST/NMI pin is configured to NMI, the bootstrap loader may not be started. Unpredictable operations will result.

Workaround None

CPU4 ***CPU Module***

Category Compiler-Fixed

Function PUSH #4, PUSH #8

Description The single operand instruction PUSH cannot use the internal constants (CG) 4 and 8. The other internal constants (0, 1, 2, -1) can be used. The number of clock cycles is different:

PUSH #CG uses address mode 00, requiring 3 cycles, 1 word instruction
PUSH #4/#8 uses address mode 11, requiring 5 cycles, 2 word instruction

Workaround Refer to the table below for compiler-specific fix implementation information.

IDE/Compiler	Version Number	Notes
IAR Embedded Workbench	IAR EW430 v2.x until v6.20	User is required to add the compiler flag option below. --hw_workaround=CPU4
IAR Embedded Workbench	IAR EW430 v6.20 or later	Workaround is automatically enabled
TI MSP430 Compiler Tools (Code Composer Studio)	v1.1 or later	
MSP430 GNU Compiler (MSP430-GCC)	MSP430-GCC 4.9 build 167 or later	

EEM20 ***EEM Module***

Category Debug

Function Debugger might clear interrupt flags

Description During debugging read-sensitive interrupt flags might be cleared as soon as the debugger stops. This is valid in both single-stepping and free run modes.

Workaround None.

PORT3 ***PORT Module***

Category Functional

Function Port interrupts can get lost

Description Port interrupts can get lost if they occur during CPU access of the P1IFG and P2IFG registers.

Workaround None

RES3	RES Module
Category	Functional
Function	Reset
Description	When RST/NMI is held low during power up of VCC, some internal drivers are not reset correctly. This may result in a high Icc current until the internal power-on signal has generated one clock cycle to reset the internal drivers. This limits the time when the excess current can occur to the time the power-up circuit is active.
Workaround	None
RES4	RES Module
Category	Functional
Function	No reset if external resistor exceeds certain value
Description	No reset of the device is performed if the external pull down resistor on RST/NMI pin is above a certain limit. The limits are: Vcc = 1.8V: maximum pull down resistor = 12 kohm Vcc = 3.0V: maximum pull down resistor = 5 kohm Vcc = 3.6V: maximum pull down resistor = 2.5 kohm In addition, a higher current consumption occurs during high/low RST/NMI signal transition when using improper resistors.
Workaround	Use external pulldown resistors below the listed values or directly drive RST/NMI low to generate a reset.
TA12	TA Module
Category	Functional
Function	Interrupt is lost (slow ACLK)
Description	Timer_A counter is running with slow clock (external TACLK or ACLK) compared to MCLK. The compare mode is selected for the capture/compare channel and the CCRx register is incremented by one with the occurring compare interrupt (if TAR = CCRx). Due to the fast MCLK the CCRx register increment (CCRx = CCRx+1) happens before the Timer_A counter has incremented again. Therefore the next compare interrupt should happen at once with the next Timer_A counter increment (if TAR = CCRx + 1). This interrupt gets lost.
Workaround	Switch capture/compare mode to capture mode before the CCRx register increment. Switch back to compare mode afterwards.
TA16	TA Module
Category	Functional
Function	First increment of TAR erroneous when IDx > 00
Description	The first increment of TAR after any timer clear event (POR/TACLK) happens immediately following the first positive edge of the selected clock source (INCLK, SMCLK, ACLK or TACLK). This is independent of the clock input divider settings (ID0, ID1). All following TAR increments are performed correctly with the selected IDx settings.

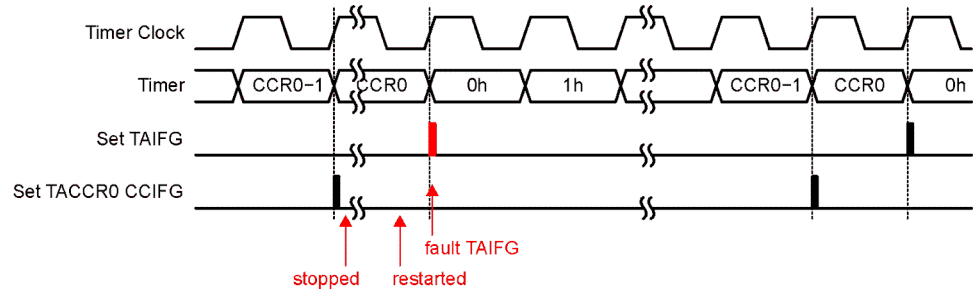
Workaround None

TA21 *TA Module*

Category Functional

Function TAIFG Flag is erroneously set after Timer A restarts in Up Mode

Description In Up Mode, the TAIFG flag should only be set when the timer counts from TACCR0 to zero. However, if the Timer A is stopped at TAR = TACCR0, then cleared (TAR=0) by setting the TACLRL bit, and finally restarted in Up Mode, the next rising edge of the TACLK will erroneously set the TAIFG flag.



Workaround None.

TAB22 *TAB Module*

Category Functional

Function Timer_A/Timer_B register modification after Watchdog Timer PUC

Description Unwanted modification of the Timer_A/Timer_B registers TACTL/TBCTL and TAIV/TBIV can occur when a PUC is generated by the Watchdog Timer(WDT) in Watchdog mode and any Timer_A/Timer_B counter register TACCRx/TBCCRx is incremented/decremented (Timer_A/Timer_B does not need to be running).

Workaround Initialize TACTL/TBCTL register after the reset occurs using a MOV instruction (BIS/BIC may not fully initialize the register). TAIV/TBIV is automatically cleared following this initialization.

Example code:

```
MOV.W #VAL, &TACTL
or
MOV.W #VAL, &TBCTL
```

Where, VAL=0, if Timer is not used in application otherwise, user defined per desired function.

TB1 *TB Module*

Category Functional

Function "Equal mode" when grouping compare latches

Description The "equal mode" for loading the compare latches (CLLD = 3) cannot be used when compare latches are grouped (TBCLGRP > 0).

Workaround None

TB2 *TB Module*

Category Functional

Function Interrupt is lost (slow ACLK)

Description Timer_B counter is running with slow clock (external TBCLK or ACLK) compared to MCLK. The compare mode is selected for the capture/compare channel and the CCRx register is incremented by 1 with the occurring compare interrupt (if TBR = CCRx). Due to the fast MCLK, the CCRx register increment (CCRx = CCRx + 1) happens before the Timer_B counter has incremented again. Therefore, the next compare interrupt should happen at once with the next Timer_B counter increment (if TBR = CCRx + 1). This interrupt is lost.

Workaround Switch capture/compare mode to capture mode before the CCRx register increment. Switch back to compare mode afterward.

TB3 *TB Module*

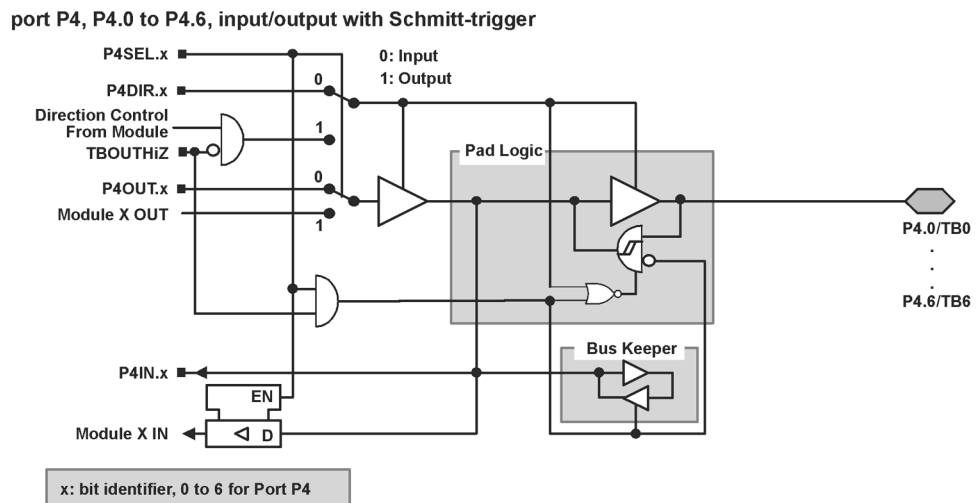
Category Functional

Function Timer_B Port is switched to 3-state independent of selected function

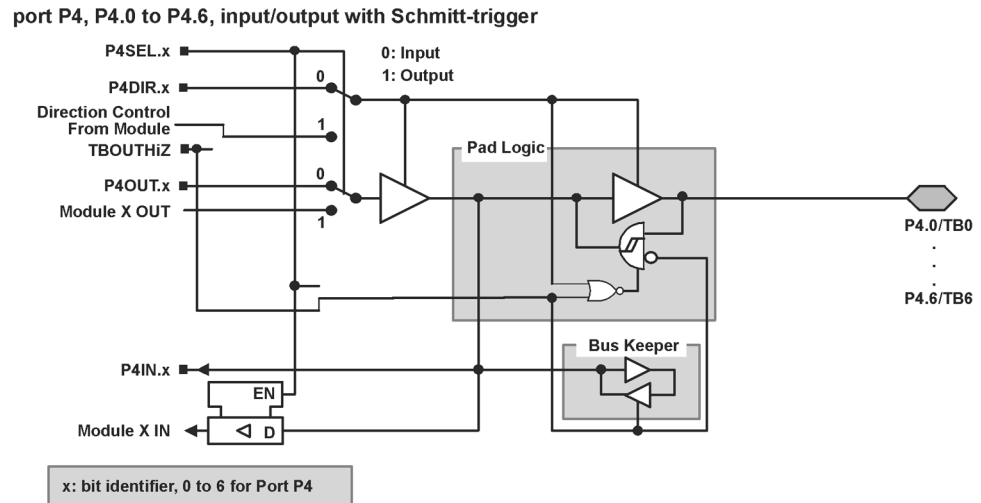
Description Incorrect 3-state function of Ports P4.0/TB0 through P4.6/TB6 (TBoutHiZ control). If TBoutHiZ is set to high, all ports P4.0/TB0 through P4.6/TB6 are set to 3-state, independent of the P4SEL.x control signals. This means a port P4.x is switched to 3-state with TBoutHiZ, even if it is not selected for Timer_B function. In addition, the ports P4.0/TB0 through P4.6/TB6 are switched to 3-state with TBoutHiZ, even if the port direction (direction control from module) is set to input. This is in accordance with the specification description but, nevertheless, is an unexpected behavior.

Workaround No workaround.

Port function as specified



Port Realization With TB3 Bug



TB4 *TB Module*

Category Functional

Function Group function

Description If the shadow registers are organized in groups (SHR = 1, 2, or 3), one shadow register is not loaded correctly. This happens when the last CCRx register within a group is loaded at exactly the same time that the timer counter reaches the event for loading the shadow registers (TBR = 0 or TBR = CCR0).

Workaround Ensure that all CCRx registers within a group are loaded before the shadow register load event occurs.

TB14 *TB Module*

Category Functional

Function PWM output

Description The PWM output unit may behave erroneously if the condition for changing the PWM output (EQUx or EQU0) and the condition for loading the shadow register TBCLx happen at the same time. Depending on the load condition for the shadow registers (CLLD bits in TBCTLx), there are four possible error conditions:

1. Change CCRx register from any value to CCRx = 0 (for example, sequence for CCRx = 4 3 2 0 0 0)
2. Change CCRx register from CCRx = 0 to any value (for example, sequence for CCRx = 0 0 0 2 3 4)
3. Change CCRx register from any value to current SHD0 (CCR0) value (for example, sequence for CCRx = 4 2 5 SHD0 3 8)
4. Change CCRx register from current SHD0 (CCR0) value to any value (for example, sequence for CCRx = 4 2 SHD0 5 3 8)

Workaround No general workaround available.

TB16 *TB Module*

Category Functional

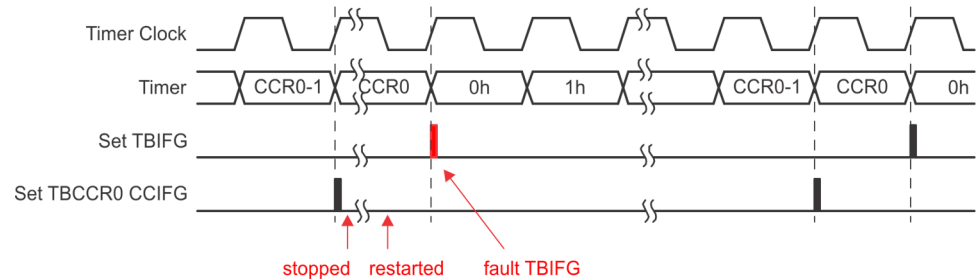
Function	First increment of TBR erroneous when IDx > 00
Description	The first increment of TBR after any timer clear event (POR/TBCLR) happens immediately following the first positive edge of the selected clock source (INCLK, SMCLK, ACLK, or TBCLK). This is independent of the clock input divider settings (ID0, ID1). All following TBR increments are performed correctly with the selected IDx settings.
Workaround	None

TB24 *TB Module*

Category Functional

Function TBIFG Flag is erroneously set after Timer B restarts in Up Mode

Description In Up Mode, the TBIFG flag should only be set when the timer resets from TBCCR0 to zero. However, if the Timer B is stopped at TBR = TBCCR0, then cleared (TBR=0) by setting the TBCLR bit, and finally restarted in Up Mode, the next rising edge of the TBCLK will erroneously set the TBIFG flag.



Workaround None.

US13 *USART Module*

Category Functional

Function Unpredictable program execution

Description USART interrupts requested by URXS can result in unpredictable program execution if this request is not served within two bit times of the received data.

Workaround Ensure that the interrupt service routine is entered within two bit times of the received data.

US14 *USART Module*

Category Functional

Function Start edge of received characters may be ignored

Description When using the USART in UART mode with UxBR0 = 0x03 and UxBR1 = 0x00, the start edge of received characters may be ignored due to internal timing conflicts within the UART state machine. This condition does not apply when UxBR0 is > 0x03.

Workaround None

US15 *USART Module*

Category	Functional
Function	UART receive with two stop bits
Description	USART hardware does not detect a missing second stop bit when SPB = 1. The Framing Error Flag (FE) will not be set under this condition and erroneous data reception may occur.
Workaround	None (Configure USART for a single stop bit, SPB = 0)

WDG2 ***WDG Module***

Category	Functional
Function	Incorrectly accessing a flash control register
Description	If a key violation is caused by incorrectly accessing a flash control register, the watchdog interrupt flag is set in addition to the expected PUC.
Workaround	None

7 Revision History

NOTE: Page numbers for previous revisions may differ from page numbers in the current version.

Changes from October 9, 2019 to May 11, 2021	Page
<ul style="list-style-type: none">Changed the document format and structure; updated the numbering format for tables, figures, and cross references throughout the document.....	6

IMPORTANT NOTICE AND DISCLAIMER

TI PROVIDES TECHNICAL AND RELIABILITY DATA (INCLUDING DATASHEETS), DESIGN RESOURCES (INCLUDING REFERENCE DESIGNS), APPLICATION OR OTHER DESIGN ADVICE, WEB TOOLS, SAFETY INFORMATION, AND OTHER RESOURCES "AS IS" AND WITH ALL FAULTS, AND DISCLAIMS ALL WARRANTIES, EXPRESS AND IMPLIED, INCLUDING WITHOUT LIMITATION ANY IMPLIED WARRANTIES OF MERCHANTABILITY, FITNESS FOR A PARTICULAR PURPOSE OR NON-INFRINGEMENT OF THIRD PARTY INTELLECTUAL PROPERTY RIGHTS.

These resources are intended for skilled developers designing with TI products. You are solely responsible for (1) selecting the appropriate TI products for your application, (2) designing, validating and testing your application, and (3) ensuring your application meets applicable standards, and any other safety, security, or other requirements. These resources are subject to change without notice. TI grants you permission to use these resources only for development of an application that uses the TI products described in the resource. Other reproduction and display of these resources is prohibited. No license is granted to any other TI intellectual property right or to any third party intellectual property right. TI disclaims responsibility for, and you will fully indemnify TI and its representatives against, any claims, damages, costs, losses, and liabilities arising out of your use of these resources.

TI's products are provided subject to TI's Terms of Sale (<https://www.ti.com/legal/termsofsale.html>) or other applicable terms available either on [ti.com](https://www.ti.com) or provided in conjunction with such TI products. TI's provision of these resources does not expand or otherwise alter TI's applicable warranties or warranty disclaimers for TI products.

Mailing Address: Texas Instruments, Post Office Box 655303, Dallas, Texas 75265
Copyright © 2021, Texas Instruments Incorporated