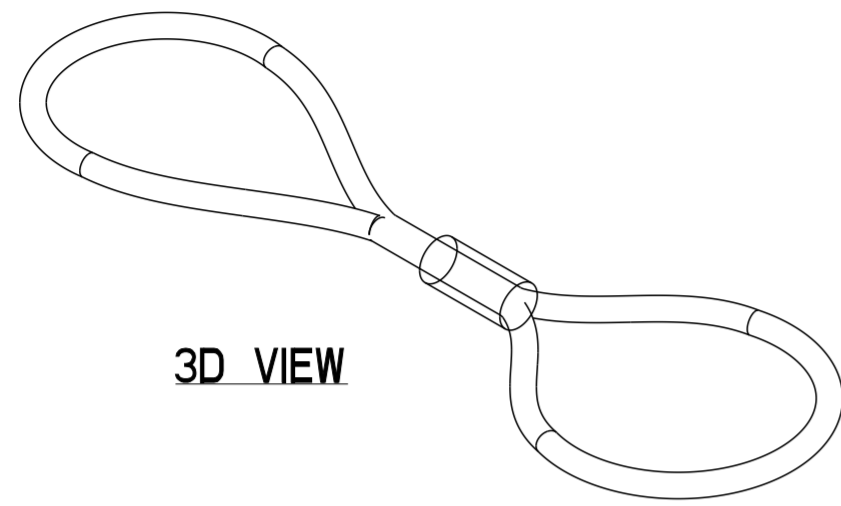
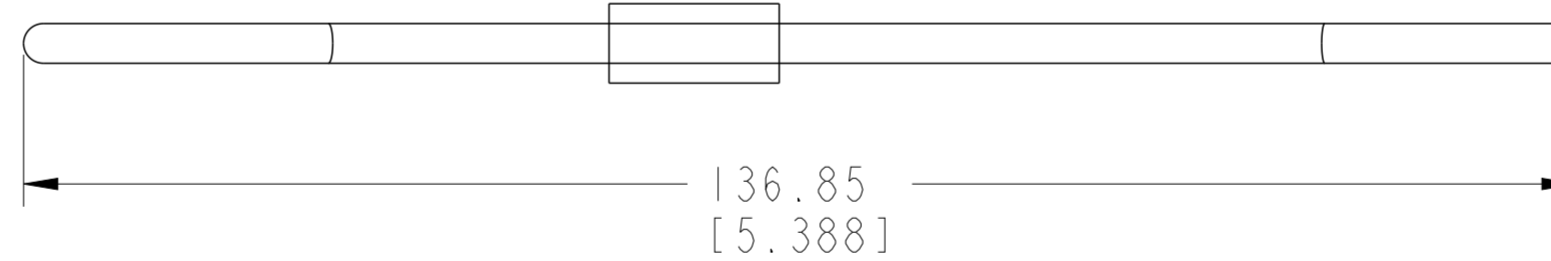
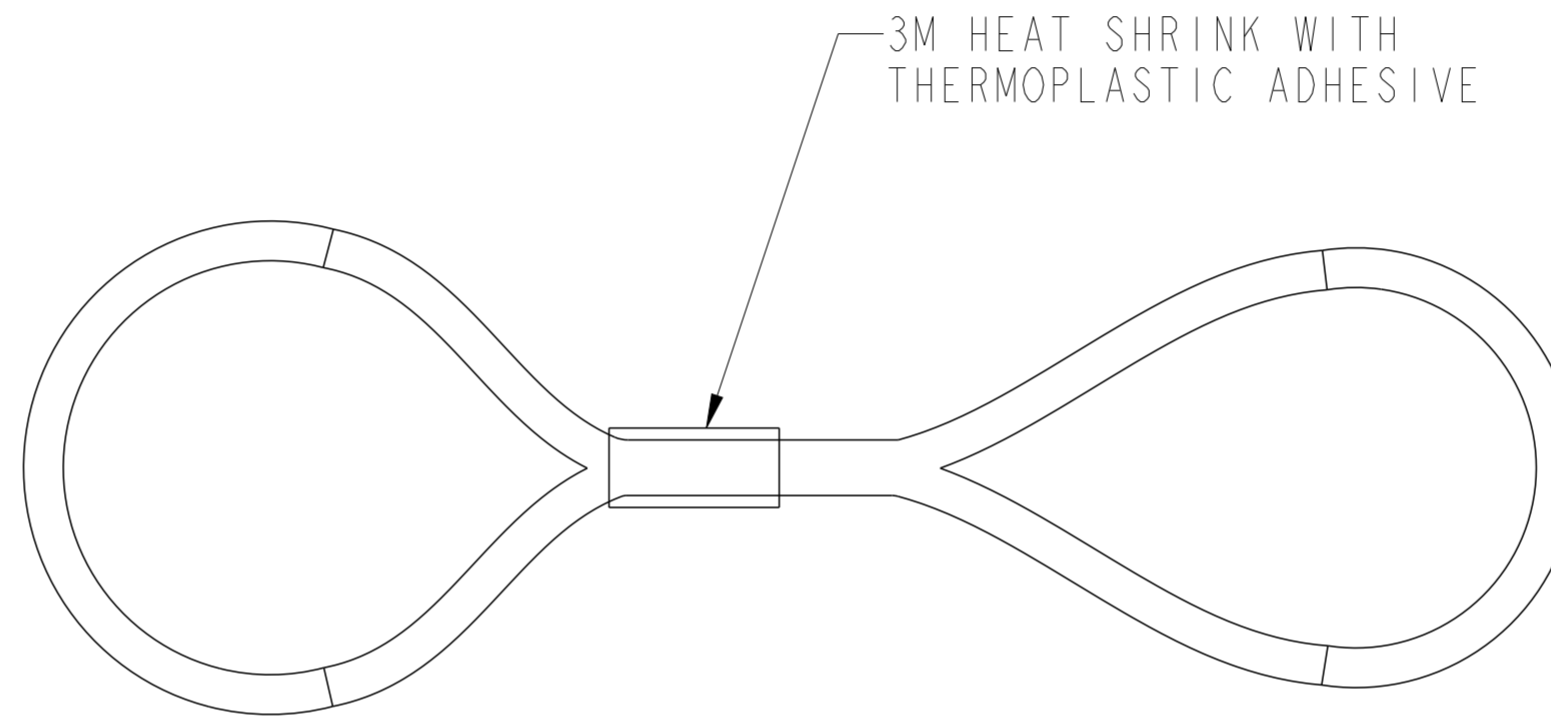


P	LTR	DESCRIPTION	DATE	DWN	APVD
	A	INITIAL RELEASE	13APR2020	AP	IG



3D VIEW



1	EPS-3003-16	HEAT SHRINK	2
1	AS042-75N	RUBBER LANYARD	1
	PART NUMBER	DESCRIPTION	ITEM NO
-	< REVISION OF EACH ASSY NO. (WHEN BLANK, USE DRAWING REVISION)		
QTY	PARTS LIST		

THIS DRAWING IS A CONTROLLED DOCUMENT.		DWN A POLO 13APR2020	STE TE Connectivity	
DIMENSIONS: MM [INCHES]		CHK I GRANICHAROVA 13APR2020		
TOLERANCES UNLESS OTHERWISE SPECIFIED:		APVD I GRANICHAROVA 13APR2020	NAME RUBBER LANYARD	
0 PLC ±		PRODUCT SPEC	SIZE CAGE CODE DRAWING NO RESTRICTED TO	
1 PLC ±		APPLICATION SPEC	WEIGHT 3.00 g A2 00779 C-JDL082397 -	
2 PLC ±0.63 [.025]			SCALE 3:2 SHEET 1 OF 1 REV A	
3 PLC ±				
4 PLC ±				
ANGLES ±5°				
FINISH				
MATERIAL NITRILE	FINISH BLACK			

1. HEAT SHRINK APPLIED TO LANYARD AND SHIPPED TOGETHER.

NOTES: