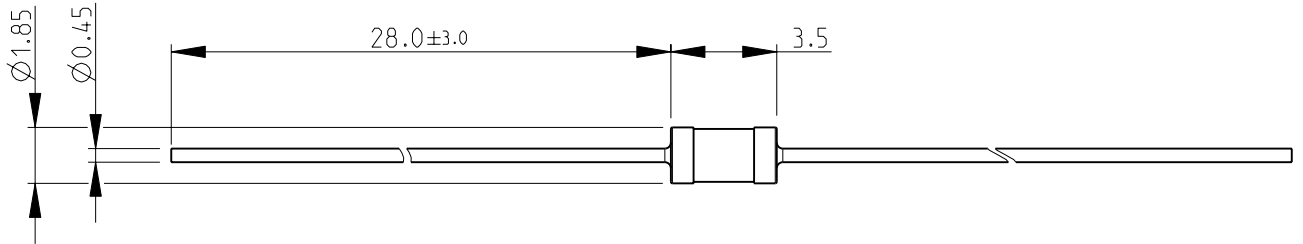
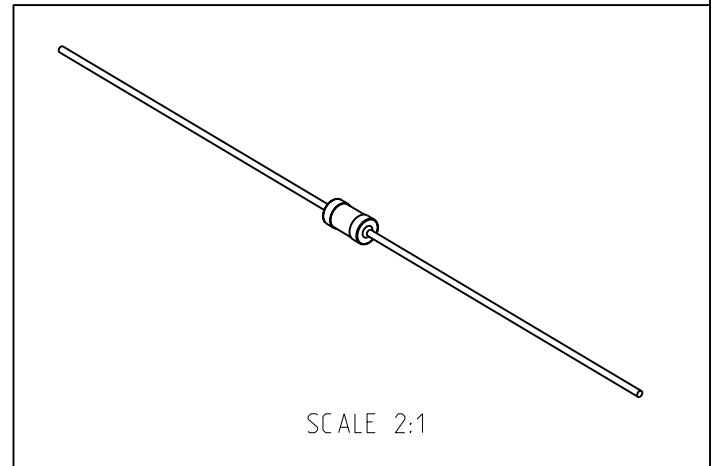


LOC	DIST	REVISIONS					
E	B	P	LTR	DESCRIPTION	DATE	DWN	APVD
			BA	NEW RELEASE	20-Sep-08	SM	St.P

FOR FURTHER INFORMATION SEE DATA SHEET FOR
CFR SERIES-CARBON FILM FIXED RESISTORS



RoHS Compliant



SCALE 2:1

2008

RELEASED FOR PUBLICATION

THIS DRAWING IS UNPUBLISHED.

BY TYCO ELECTRONICS CORPORATION. ALL RIGHTS RESERVED.



DIMENSIONS: mm	DWN	SUBHASH.M	20-Sep-08	MATERIAL	-	FINISH	-
	CHK	PRAKASH.S	20-Sep-08	Tyco Electronics Tyco Electronics Corporation Dorcan, Swindon, SN3 5HH	NAME CARBON FILM FIXED RESISTORS SERIES CFR16		
TOLERANCES UNLESS OTHERWISE SPECIFIED:	APVD	STEPHEN.P	20-Sep-08				
0 PLC ± 0.2	PRODUCT SPEC	-		SIZE	CAGE CODE	DRAWING NO	RESTRICTED TO
1 PLC ± 0.1	APPLICATION SPEC	-		A 4	00779	© = 1623928	-
2 PLC $\pm -$	WEIGHT	-		CUSTOMER DRAWING			SCALE 4:1
3 PLC $\pm -$							SHEET 1 OF 1
4 PLC $\pm -$							REV BA
ANGLES $\pm 5^\circ$							

