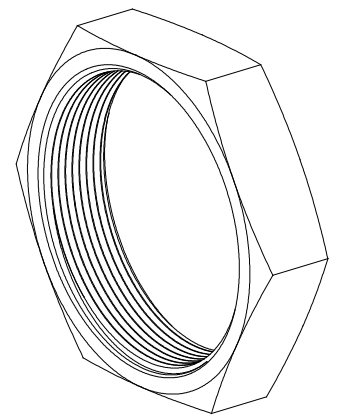
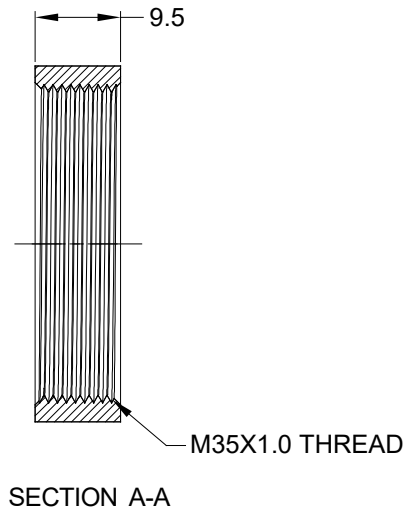
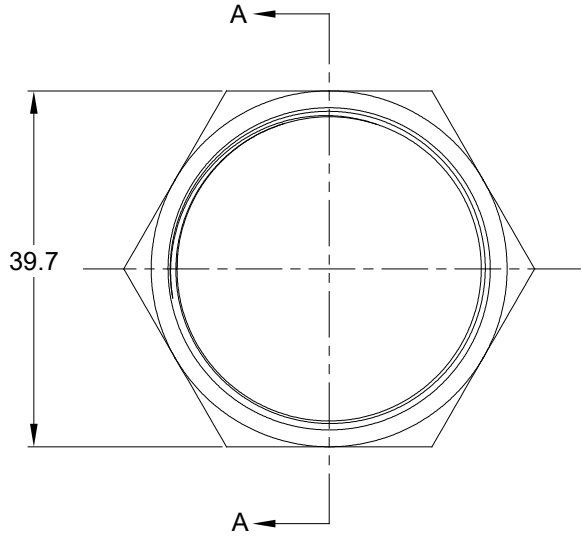


REVISIONS					
REV	ECO	DESCRIPTION	DATE	BY	APPR
A3		RELEASE NEW DWG FORMAT	24JUL13	DRP	
A4	--	UPDATE DRAWING	07/JAN/20	ROOKIE	TOMMY



P/N CHART	
P/N	COLOR
AHD17-PN01	BLACK
AHD17-PN01-GRN	GREEN

NOTES: UNLESS OTHERWISE SPECIFIED

1. MATERIAL: THERMOPLASTIC
2. COLORS: SEE P/N CHART
3. RoHS COMPLIANT
4. USE WITH AHD17-1939PE/PES/PES80  
MOUNTING TORQUE IS 3.5-5.0 N.M
5. ALL DIMENSIONS ARE FOR REFERENCE USE ONLY.

SEE P/N CHART		PART NUMBER		DESCRIPTION		ITEM		
<b>QUANTITY</b>								
<b>MATERIALS LIST</b>								
<b>UNLESS OTHERWISE SPECIFIED</b> 1) All dimensions are in metric(mm). 2) Tolerances are as follows: 1 PL DEC ±0.30      Fractions ±1/64 2 PL DEC ±0.15      Angles ±1° 3 PL DEC ±0.08 3) Note reference =			<b>SIGNATURES</b> <b>DATE</b> DRAWN: ROOKIE      07/JAN/20 CHECKED: ORION      07/JAN/20 ENGINEER: APPROVAL: TOMMY      07/JAN/20 CUSTOMER:		<div style="text-align: center;"> <h1>Amphenol</h1> <p>Sine Systems - www.amphenol-sine.com                      44724 Morley Drive                      Clinton Township, MI 48036</p> <p><b>NUT, AHD SERIES, 35mm</b></p> </div>			
<b>MATERIAL SPECIFICATIONS:</b>			THIS DRAWING IS SUPPLIED FOR INFORMATION ONLY. DESIGN FEATURES, SPECIFICATIONS AND PERFORMANCE DATA SHOWN HEREON ARE THE PROPERTY OF THE AMPHENOL CORPORATION. NO RIGHTS OF REPRODUCTION ARE IMPLIED. ALL DIMENSIONS ARE SUBJECT TO NORMAL MANUFACTURING VARIATIONS.				<b>SIZE</b> <span style="font-size: 2em;">A</span>	<b>TYPE</b> <span style="font-size: 2em;">C-</span>
<b>PROCESS SPECIFICATIONS:</b>			<b>DWG NO:</b> AHD17-PN01-XXX				<b>REVISION</b> <span style="font-size: 2em;">A4</span>	
<b>NEXT ASSY:</b>			<b>SCALE:</b> NONE		<b>SHEET</b> 1 <b>OF</b> 1			