



SPECIFICATION FOR APPROVAL

CUSTOMER	:	_____
PRODUCT TYPE	:	SMD SEAM SEALING CXO 2.5 × 2.0
NOMINAL FREQ.	:	62.500000MHz
TXC P/N	:	8W62570006
REVISION	:	S1
CUSTOMER P/N	:	_____
PM / SALES	:	_____
DATE	:	_____
CUSTOMER CONFIRMATION	:	_____
		(Singnature)

		(Date)

- (1) TXC requires one copy returned with signature and title of authorized individual that signifies acceptance of the attached specifications.
- (2) Orders received and accepted by TXC after return of signed copy of specification will be produced per these specifications.
- (3) Any changes to these specifications must be agreed upon by both parties and new revision of the Product Specification Sheet will be issued.
- (4) Any issuance of purchase order prior to consigning back the Approval page of "Specification Sheets" from customers will be regarded as the agreement on the contents of these specifications.

MSL:Level 1
RoHS Compliant

(for glass crystal only : Pb used in sealing glass material is exempt from EU directive)

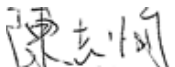
PRODUCT SPECIFICATION SHEET

PRODUCT TYPE : SMD SEAM SEALING CXO 2.5 × 2.0

NOMINAL FREQ. : 62.500000MHz

TXC P/N : 8W62570006

REVISION : S1

PE/RD	QA	MFG
 Oscar Chen		
23-Jun-22		

NOTE:

- (1) If customer's application involves ultrasonic 、 molding 、 PCBA dicing and manual soldering processes or customer's products are used in automotive system, the applicability should be confirmed with TXC R&D responsible person.
- (2) The green product standard set by TXC is based upon the international standards. Related information is publicly described on the TXC's Website, and updated regularly. The document is compliant with the latest green product quality system directives at the time.
- (3) Revision "Sx" is for engineering samples only. PE/RD's approval required.
- (4) Revision "Ax" is production ready. PE, QA and MFG's approval required.

**MSL:Level 1
RoHS Compliant**

(for glass crystal only : Pb used in sealing glass material is exempt from EU directive)

■ ELECTRICAL SPECIFICATIONS

Standard atmospheric conditions

Unless otherwise specified, the standard range of atmospheric conditions for making measurement and tests are as follow:

Ambient temperature : $25\pm 5^{\circ}\text{C}$
 Relative humidity : 40%~70%

If there is any doubt about the results, measurement shall be made within the following limits:

Ambient temperature : $25\pm 3^{\circ}\text{C}$
 Relative humidity : 40%~70%

Crystal cutting type

The crystal is using AT CUT (thickness shear mode).

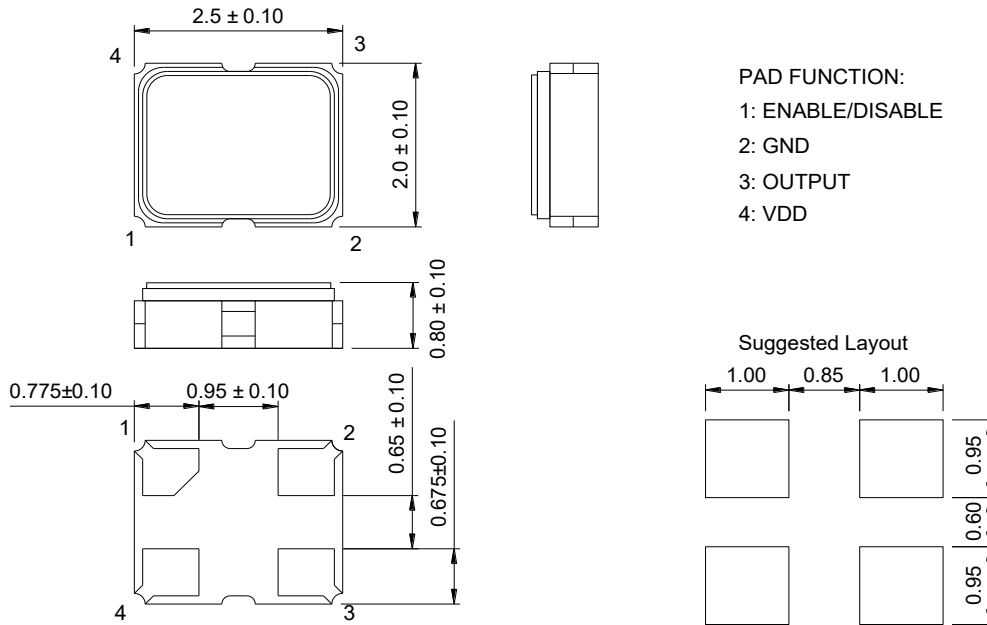
Unit Weight: 0.015±0.002 g/pcs

	Parameters	Symbol	Electrical Spec.				Notes
			Min.	Typ.	Max.	Units	
1	Nominal Frequency	-	62.500000			MHz	-
2	Frequency Stability	-	±50			ppm	Note 1
3	Operating Temperature	Topr	-40	25	105	°C	-
4	Storage Temperature	Tstg	-40	~	125	°C	-
5	Supply Voltage	VDD	3.30 ±10%			V	-
6	Input Current	Icc	-	-	15	mA	-
7	Enable Control	-	Yes			-	Pad 1
8	Output Load : CMOS	CL	15			pF	-
9	Output Voltage High	VoH	90%Vdd	-	-	V	-
10	Output Voltage Low	VoL	-	-	10%Vdd	V	-
11	Rise Time	Tr	-	-	5	ns	10%→90%VDD Level
12	Fall Time	Tf	-	-	5	ns	90%→10%VDD Level
13	Symmetry (Duty ratio)	TH/T	45	~	55	%	-
14	Enable Voltage High	Vhi	70%Vdd	-	-	V	-
15	Disable Voltage Low	Vlo	-	-	30%Vdd	V	-
16	Start-up Time	Tosc	-	-	10	ms	-
17	Aging	-	±3			ppm/yr.	1st. Year at 25°C
18	Output Disable Delay Time	T off	-	-	150	µs	-
19	Output Enable Delay Time	T on	-	-	300	µs	-
20	Phase Noise	-	-	-98	-	dBc/Hz	10 Hz Offset
		-	-	-128	-	dBc/Hz	100 Hz Offset
		-	-	-156	-	dBc/Hz	1 kHz Offset
		-	-	-163	-	dBc/Hz	10 kHz Offset
		-	-	-171	-	dBc/Hz	100 kHz Offset
		-	-	-172	-	dBc/Hz	1 MHz Offset
21	RMS Phase Jitter	-	-	-	0.1	ps	Integrated from 12KHz to 20MHz

Note 1. Frequency stability inclusive of frequency tolerance at 25°C, variation over temperature, supply voltage variation, first year aging and shock.

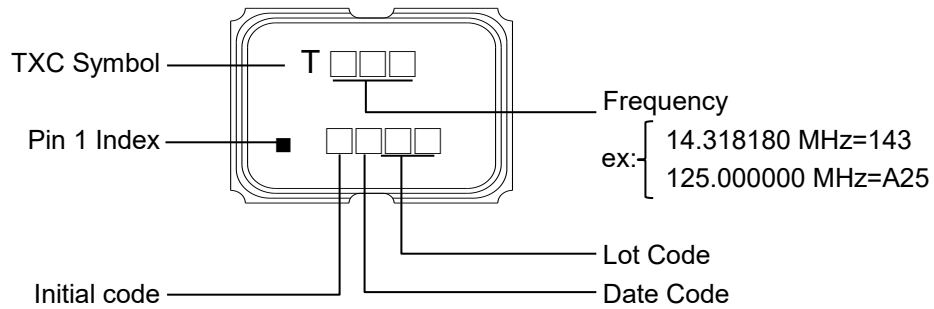
■ DIMENSIONS

(Unit:mm)



PAD FUNCTION:
 1: ENABLE/DISABLE
 2: GND
 3: OUTPUT
 4: VDD

■ MARKING



Date Code:

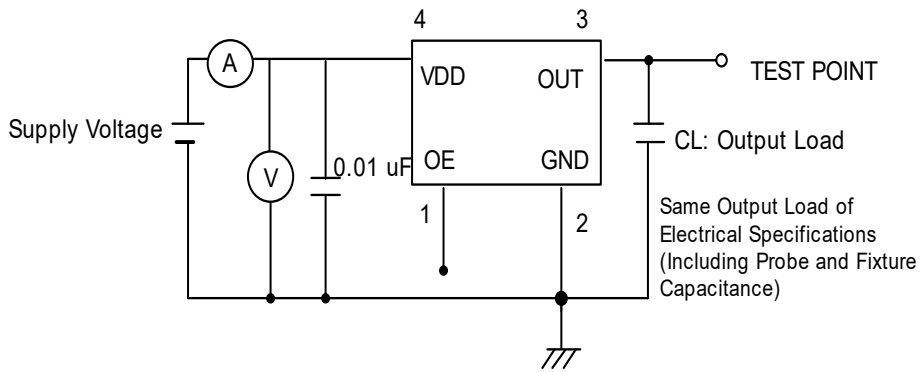
YEAR					MONTH											
					JAN	FEB	MAR	APR	MAY	JUN	JUL	AUG	SEP	OCT	NOV	DEC
2021	2025	2029	2033	2037	A	B	C	D	E	F	G	H	J	K	L	M
2022	2026	2030	2034	2038	N	P	Q	R	S	T	U	V	W	X	Y	Z
2023	2027	2031	2035	2039	a	b	c	d	e	f	g	h	j	k	l	m
2024	2028	2032	2036	2040	n	p	q	r	s	t	u	v	w	x	y	z

*This date code will be cycled every four years

TEST DIAGRAM

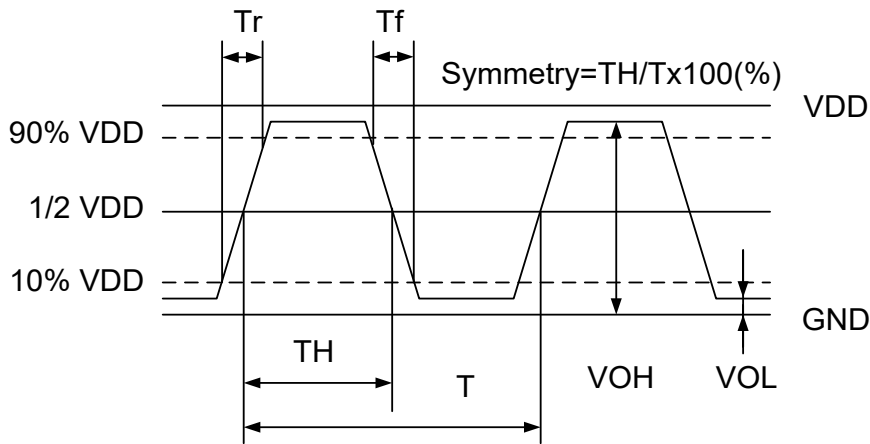
Pad 1 : Tri-State control

Pad 1(OE)	Pad 3 (Output)	Oscillator
High (or open)	OSC out	Normal operation
Low	High impedance	Stop oscillation



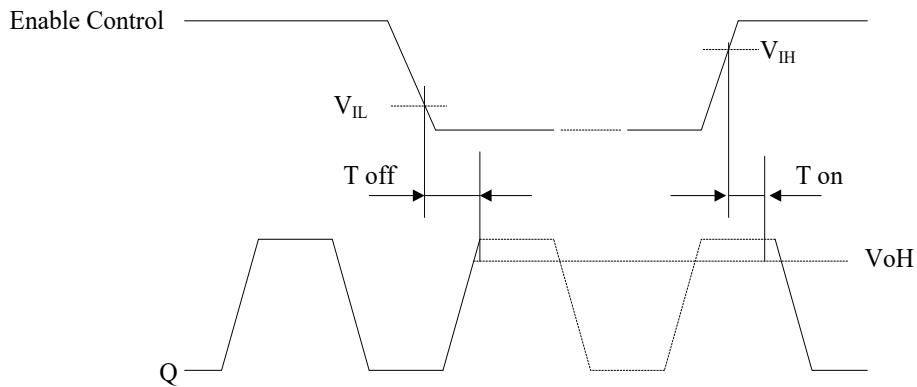
WAVEFORM CONDITIONS

Waveform measurement system should have a min. bandwidth of 5 times the frequency being tested.



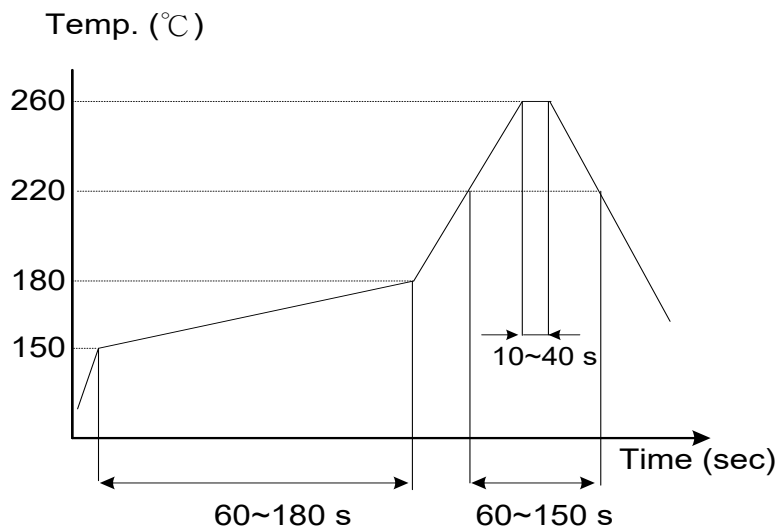
OUTPUT ENABLE / DISABLE DELAY

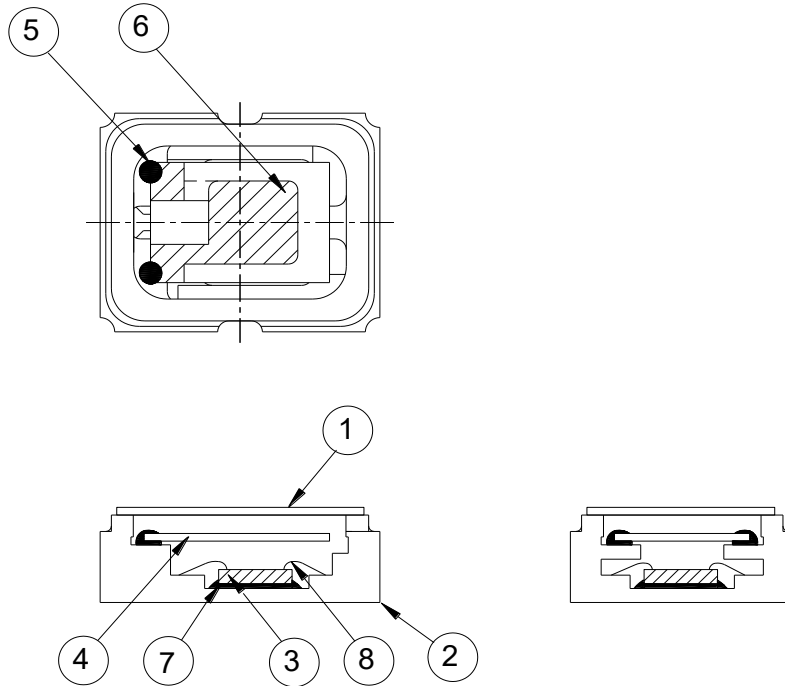
The following figure shows the oscillator timing during normal operation . Note that when the device is in standby, the oscillator stops. When standby is released, the oscillator starts and stable oscillator output occurs after a short delay.



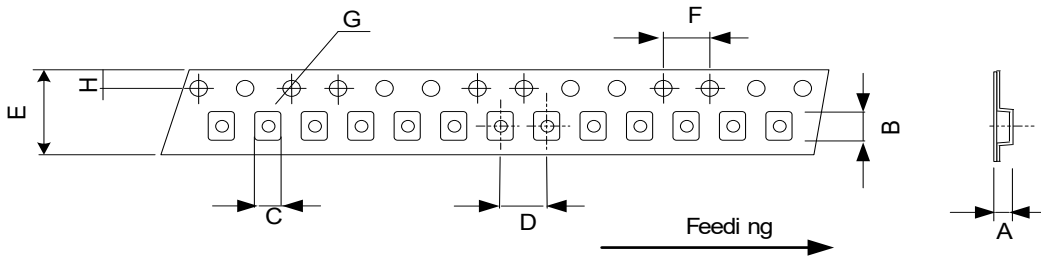
SUGGESTED REFLOW PROFILE

Total time : 600 sec. Max.
Solder melting point : 220 °C



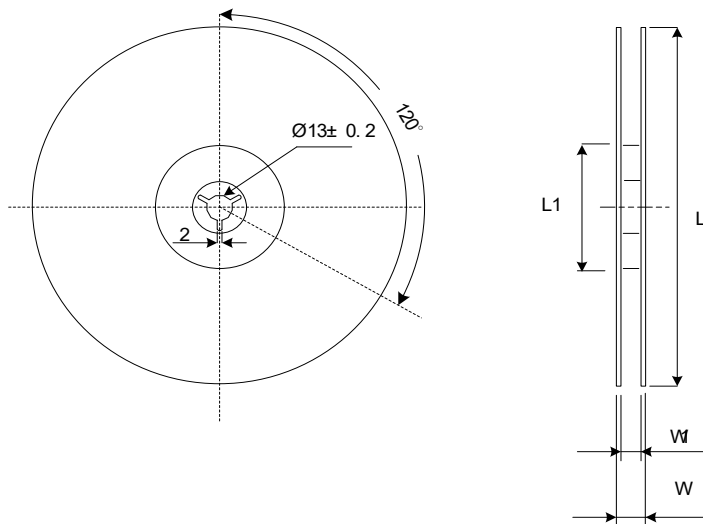
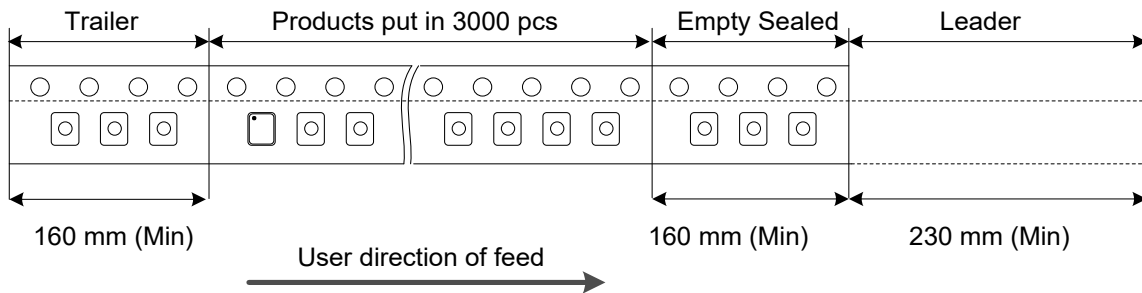
■ STRUCTURE ILLUSTRATION


NO	COMPONENTS	MATERIALS	FINISH/SPECIFICATIONS
1	Lid	Kovar (Fe/Co/Ni)	-
2	Base (Package)	Ceramic (Al ₂ O ₃) + Kovar (Fe/Co/Ni)+Pad(Au)	-
3	IC chip	-	-
4	Crystal blank	SiO ₂	-
5	Conductive adhesive	Ag	Silicon resin
6	Electrode	Noble Metal	-
7	Die attached	Epoxy	-
8	Bonding wire	Au	Pad 1 options : NC is 5 wires , EN is 6 wires.

PACKING


DIMENSIONS	A	B	C	D	E	F	G	H	(UNIT:mm)
	1.15 ± 0.05	2.70 ± 0.05	2.25 ± 0.05	4.00 ± 0.10	8.00 ± 0.20	4.00 ± 0.10	1.55 ± 0.05	1.75 ± 0.10	

REMARK :



DIMENSIONS	L	L1	W	W1	Standard Reel Quantity is 3,000 pcs per reel (UNIT:mm)
	180 0/-3	60 + 1/0	11.4 ± 0.1	9 ± 0.3	

■ RELIABILITY SPECIFICATIONS

1. Mechanical Endurance

No.	Test Item	Methods	REF. DOC
1	Free Drop	75 cm height, fall freely onto concrete floor 18 times	JIS C6701
1	Mechanical Shock	1500G, 0.5ms, 5 pulse for 6 directions	MIL-STD-883 Method 2002
1	Sine Vibration	Frequency range 10 ~ 2000 Hz Amplitude 1.52 mm Sweep time 20 minutes Perpendicular axis each test time 4 Hrs (Total test time 12 Hrs)	MIL-STD-883 Method 2007
1	Gross Leak	Standard Sample For Automatic Gross Leak Detector Test Pressure: 2kg / cm ²	MIL-STD-883 Method 1014
2	Fine Leak	Precondition - Helium bombing 4.5 Kg / cm ² for 2 hrs Tested by mass-spectrometer	MIL-STD-883 Method 1014
2	Solderability	Temperature 245 °C ± 5°C Immersing depth 0.5 mm minimum Immersion time 5 ± 1 seconds Flux Rosin resin methyl alcohol solvent (1 : 4)	J-STD-002
2	Board Flex	Duration time: 5sec, deviation: 5mm	EIAJ-RCX-0104/10

2. Environmental Endurance

No.	Test Item	Test Methods	REF. DOC
2	High Temp. Storage	125 °C ± 2 °C, 1008 hours	MIL-STD-883 Method 1005
2	Low Temp. Storage	The lowest specification of storage temperature, 1008 hours	JESD22-A119
2	Thermal Shock	Total 500 cycles of the following temperature cycle 	JESD22-A104
2	Autoclave	121°C ± 3°C, RH100%, 29.7psi, for 240 hours	JESD22-A102
3	High Temp & Humidity	85°C ± 3°C, RH 85% , 1008 hours	JESD22-A101
3	Aging	The highest specification of operation temperature, 1008 hours	JESD22-A108