

**SPECIFICATIONS**

**Material:** Standard Seoloc® washer is 300 series stainless steel, but can be made in nickel-plated carbon steel, aluminum, etc. Silicone rubber is standard.

**Temperature Range:** -160° F to +500° F (-106° C to +260° C)

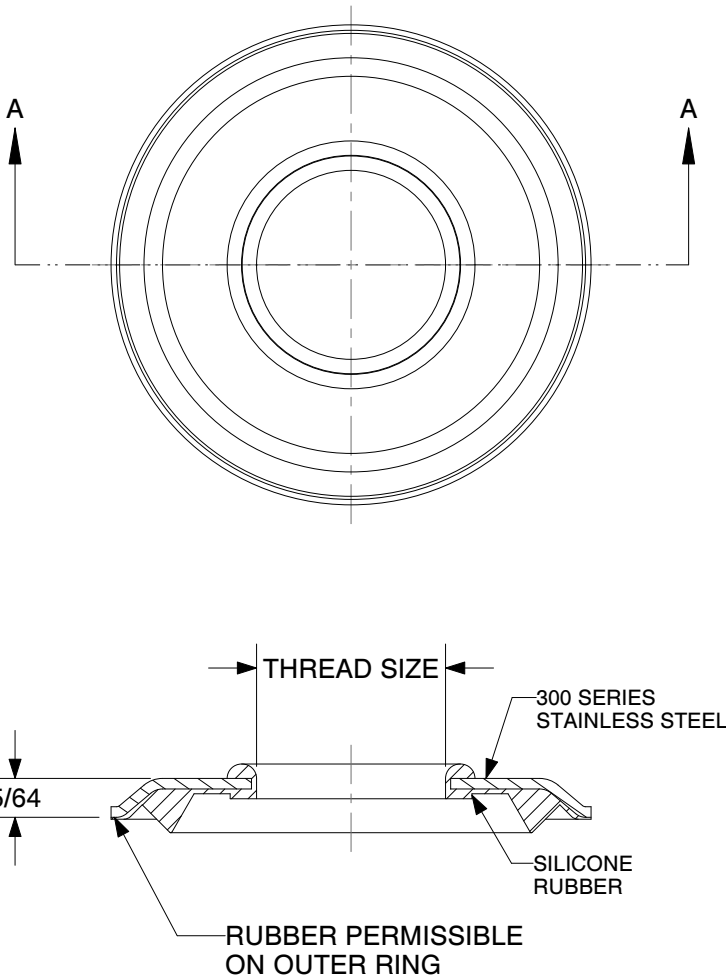
**Pressure Range:** Exceeds 100 psi internal and external

**Shelf Life:** Excess of 25 years.

**Resistant to:** Salt spray, sunlight, ozone, weather, acids and etc.

**Installation:** Seoloc® washers are installed on bolts, studs or screws in the same manner as regular washers. The rubber section should always face the panel, mounting surface.

**Rating:** IP66/68 UL Recognized for type 4X & Type 6 Enclosure Protection.



ITEM NUMBER	THREAD SIZE	WASHER O.D.
75601	#6	0.550"± 0.050
75801	#8	0.550"± 0.050
75101	#10	0.550"± 0.050
75602	#6	1"± 0.050
75802	#8	1"± 0.050
75102	#10	1"± 0.050
75082	#1/4	1"± 0.050
75107	#5/16	1"± 0.050
75122	#3/8	1"± 0.050
75142	#7/16	1"± 0.050
75162	#1/2	1"± 0.050
75603	#6	1-1/2"± 0.050
75803	#8	1-1/2"± 0.050
75103	#10	1-1/2"± 0.050
75083	#1/4	1-1/2"± 0.050
75108	#5/16	1-1/2"± 0.050
75123	#3/8	1-1/2"± 0.050
75143	#7/16	1-1/2"± 0.050
75163	#1/2	1-1/2"± 0.050
75173	#5/8	1-1/2"± 0.050
75183	#7/8	1-1/2"± 0.050

D	ECO-14-0006: ADDED PERMISSIBLE NOTE, ADDED THREAD SIZE/DIMENSION NOTE AND RATING INFOR. DWN: D. LAW CHKD BY: KF/FK.	11.17.14
C	ADDED 75183	05.19.10
B	CHANGED DWG. NO. FROM SW-100 TO 7500 SERIES, CHANGED WAS O.D. FOR 75601, 75801 AND 75101, ADDED TOLERANCE S. GOK	07.14.08
A	CAD COMPUTER GENERATED	12.23.02

REV.	DESCRIPTION	DATE
MAXIMUM AND MINIMUM MEASUREMENTS ARE STATED DIRECTLY ON EACH DIMENSION.	<b>TITLE:</b> <b>SEELOC®</b> <b>VIBRATIO-RESISTANT,</b> <b>SELF-SEALING WASHERS</b>	ENG. S. GOK 07.14.08
MAT'L: AS NOTED		DWN: S. GOK 07.14.08
FINISH: AS NOTED		CHKD. J CELLA 07.14.08
<b>APM-HEXSEAL CORPORATION</b>		<b>SCALE</b> <b>DWG.NO.</b> <b>75000 SERIES</b>

THIS DRAWING COVERS PROPRIETARY ITEM AND IS THE PROPERTY OF THE APM-HEXSEAL CORPORATION. THIS DRAWING IS NOT TO BE COPIED OR USED WITHOUT THE WRITTEN APPROVAL OF AN OFFICER OF THE APM-HEXSEAL CORPORATION.