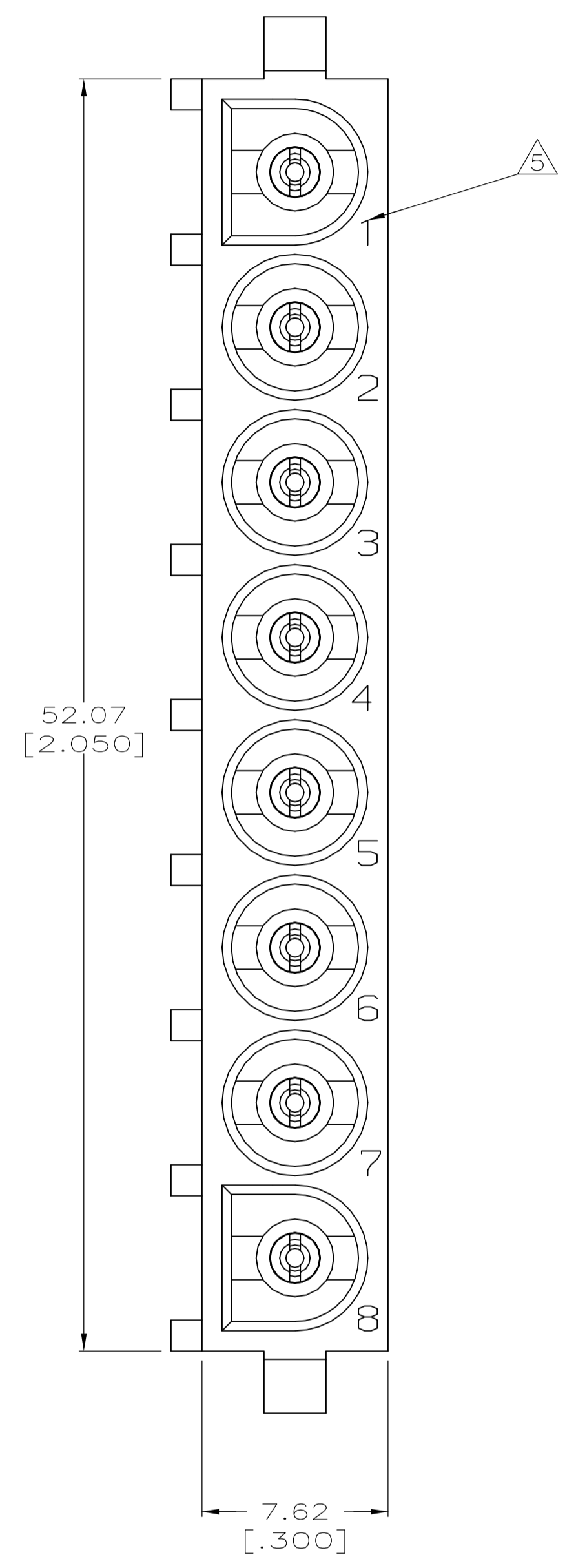
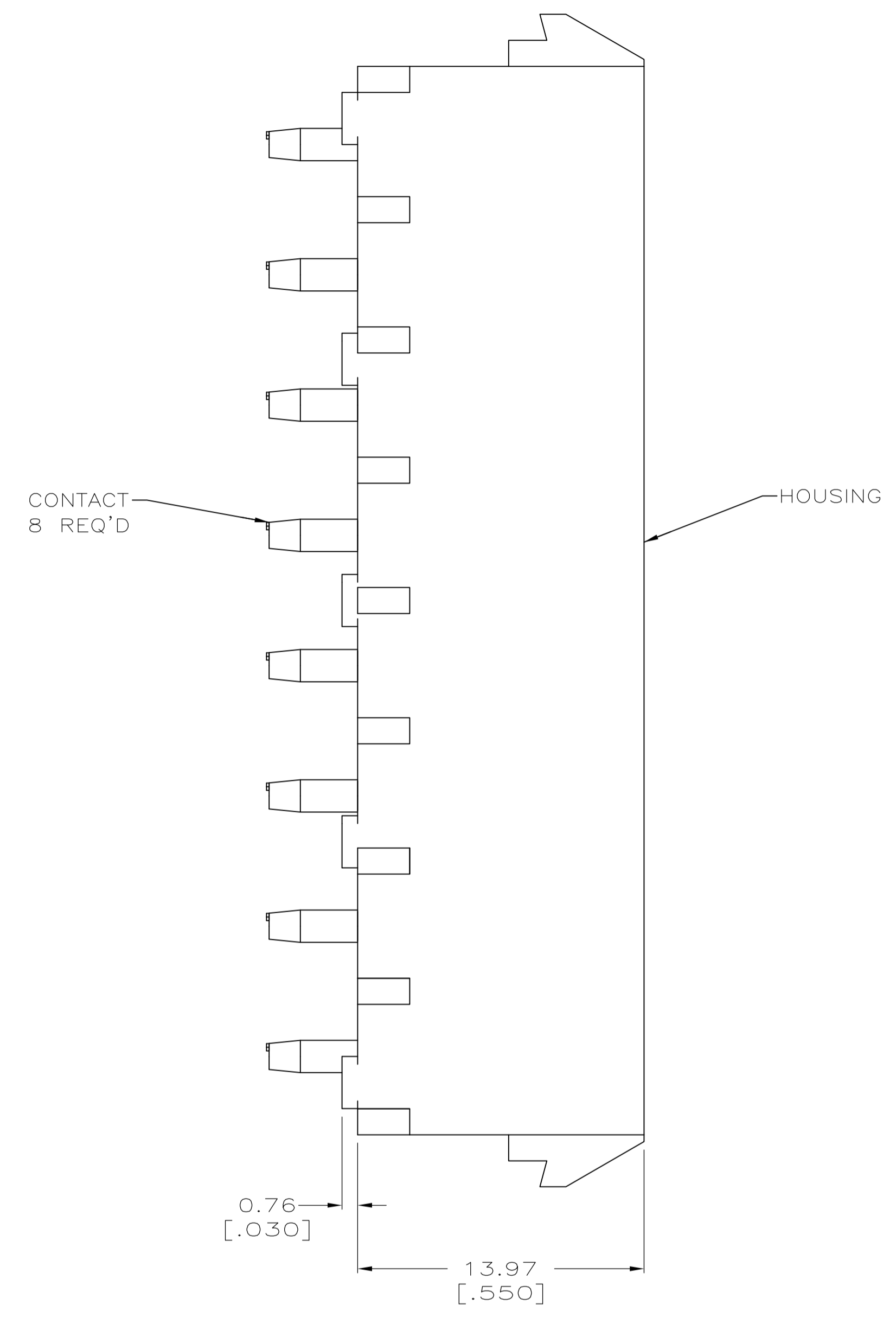
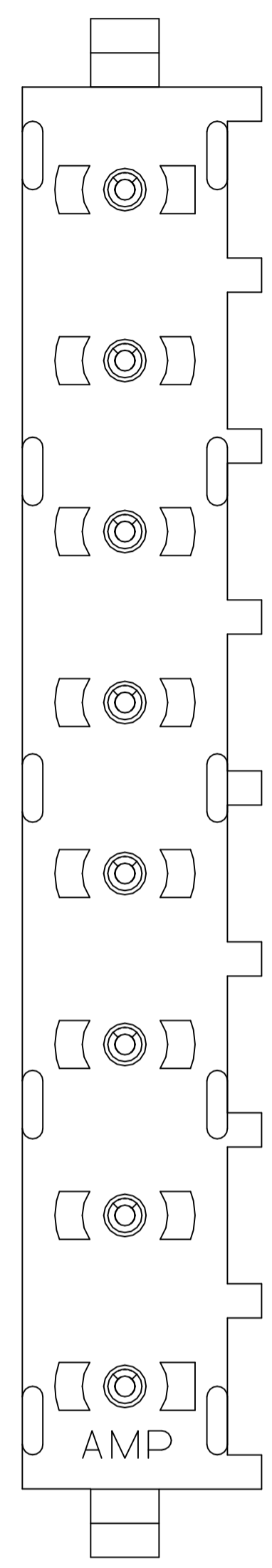
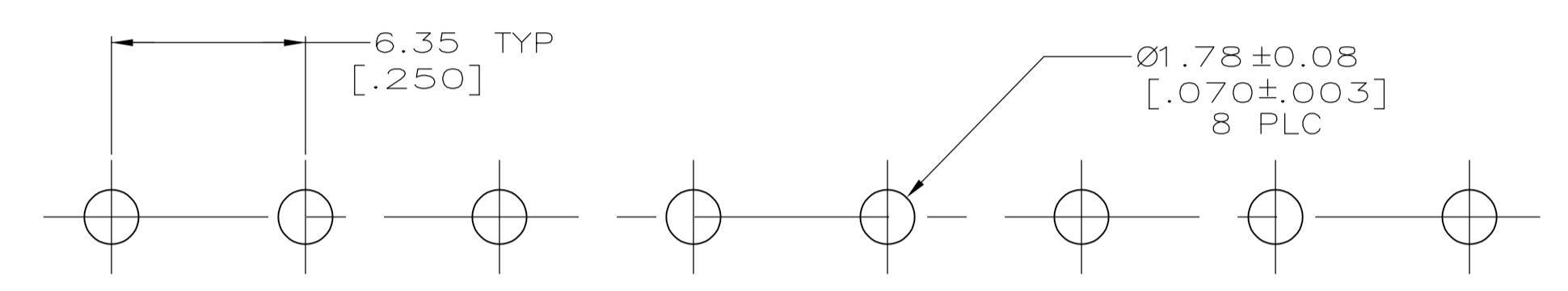


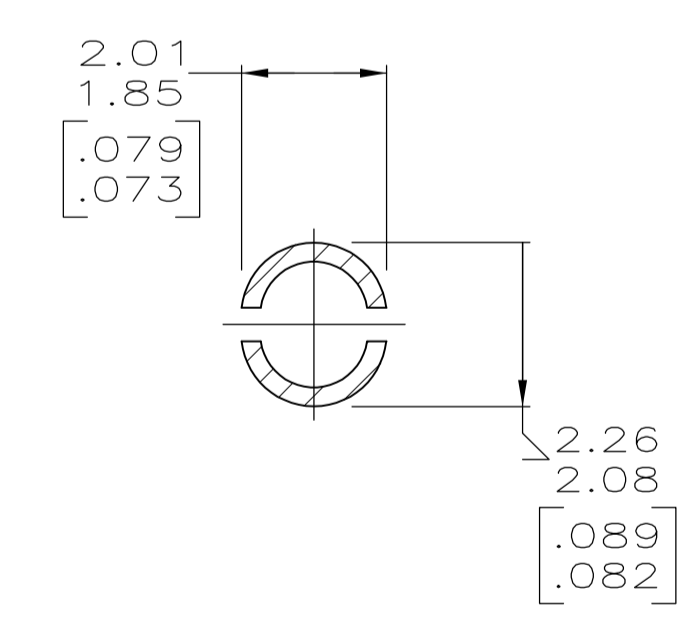
LOC		DIST		REVISIONS			
REV	BY	DATE	DESCRIPTION	DATE	BY	REV	DESCRIPTION
M	REV PER EC	02JAN15	OG1B-0261-98	28-JAN-99	BL	RS	
M1	REVISED PER ECR	02JAN15	14-017307		AV	DZ	



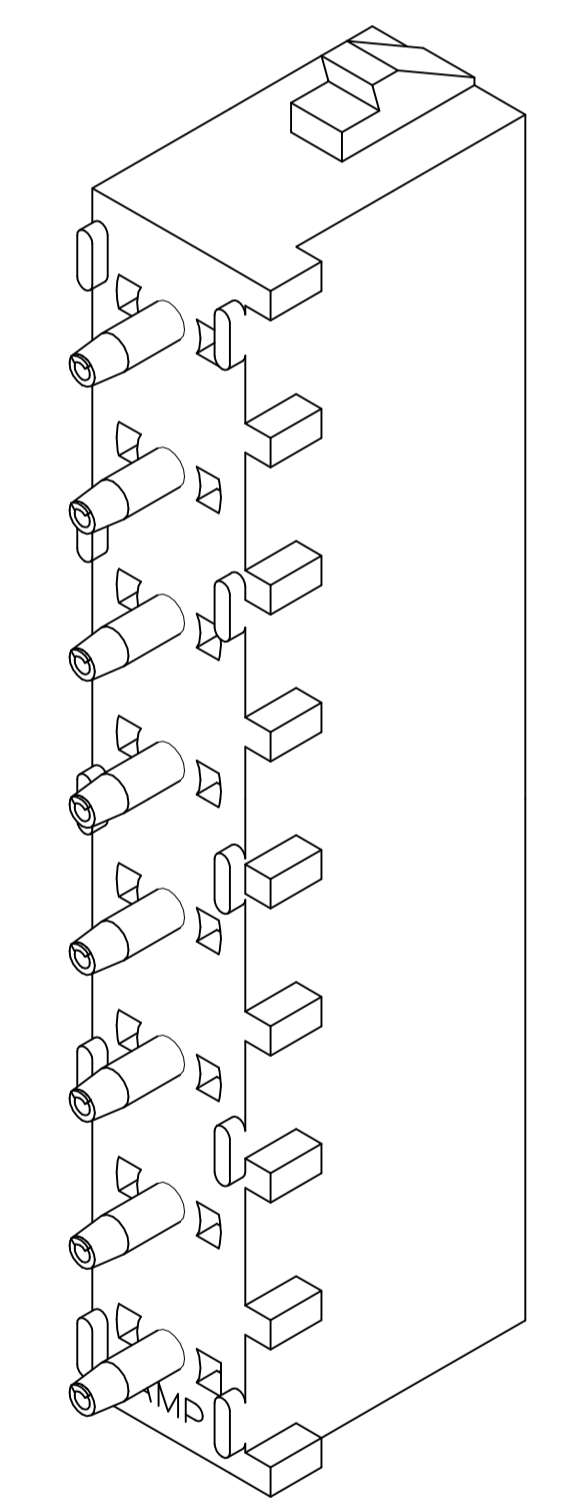
- PARTS COMPLY WITH TE SOLDERABILITY SPECIFICATION 109-11-3.
- DIMENSIONS IN BRACKETS ARE IN INCHES.
- CIRCUIT IDENTIFICATION CHARACTERS ARE ADJACENT TO THE INDICATED CAVITIES, BUT LOCATION AND ORIENTATION MAY DIFFER FROM PRINT.
- PRELIMINARY PART. NOT RELEASED FOR PRODUCTION.



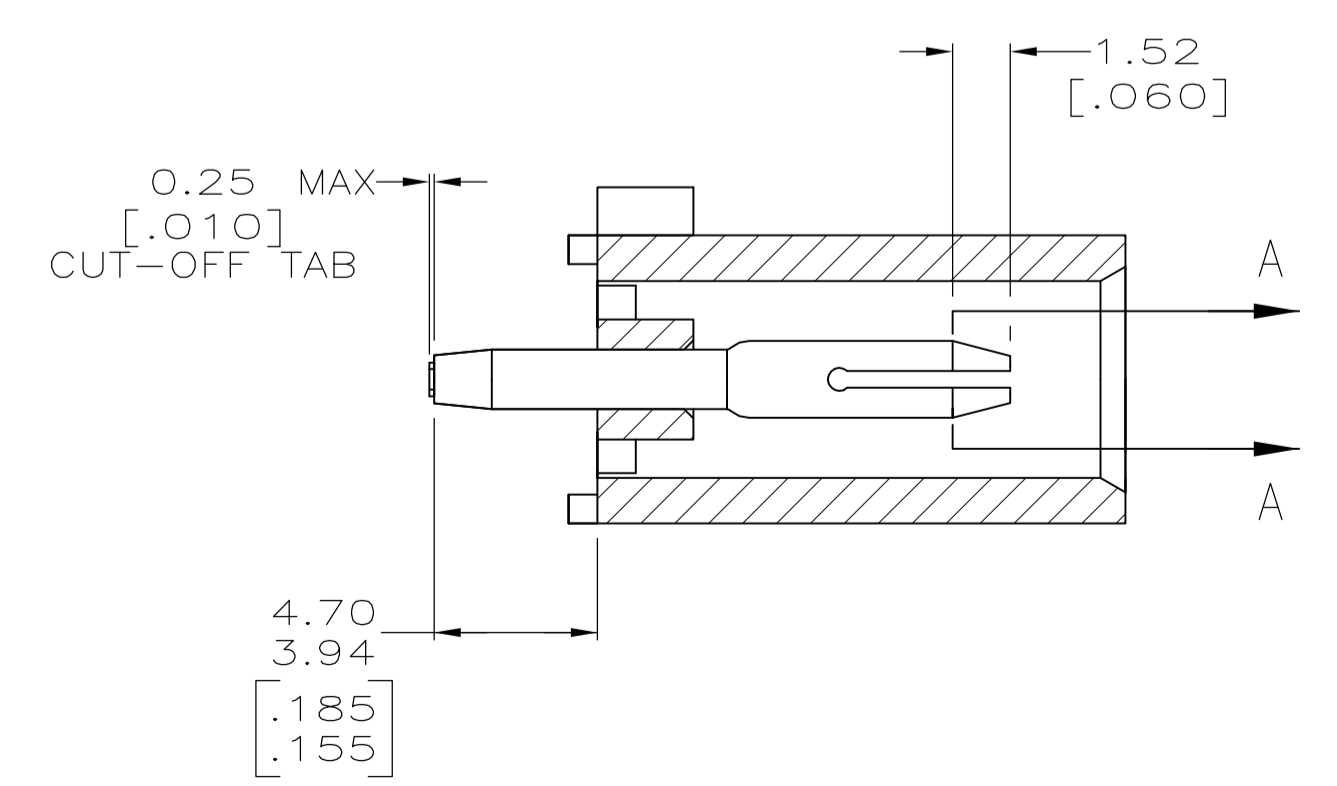
RECOMMENDED MOUNTING HOLE PATTERN FOR 1.57 [.062] THICK P.C. BOARD



SECTION A-A SCALE 10:1



3-DIMENSIONAL MODEL NTS



PHOSPHOR BRONZE, PRE-TIN	NYLON, UL94V-0, RED	641828-2
PHOSPHOR BRONZE, PRE-TIN	NYLON, UL94V-0, WHITE	641828-1
PIN CONTACT MATERIAL AND FINISH	HOUSING MATERIAL	PART NO.

THIS DRAWING IS A CONTROLLED DOCUMENT.		DIN T. BECK 12-3-93	TE Connectivity	
DIMENSIONS: mm [INCHES]		CHK R. SWING 12-3-93	NAME	
TOLERANCES UNLESS OTHERWISE SPECIFIED:		APVD D. SELF 12-14-93	PRODUCT SPEC	
0 PLC ± -	1 PLC ± -	108-1053		
2 PLC ± 0.13 [.005]	3 PLC ± -	APPLICATION SPEC		
4 PLC ± -	ANGLES ± -	SIZE 114-1010	CAGE CODE	DRAWING NO
MATERIAL SEE TABLE	FINISH SEE TABLE	WEIGHT	A1 00779	641828
		CUSTOMER DRAWING		RESTRICTED TO
		SCALE 5:1	SHEET 1 OF 1	REV M1

