

complete length when assembled app. 51.5mm

18,4

M12x1

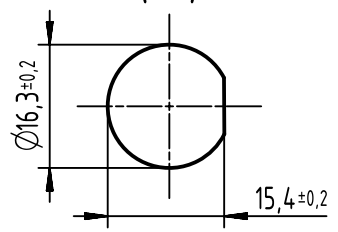
M16x1,5

SW 13

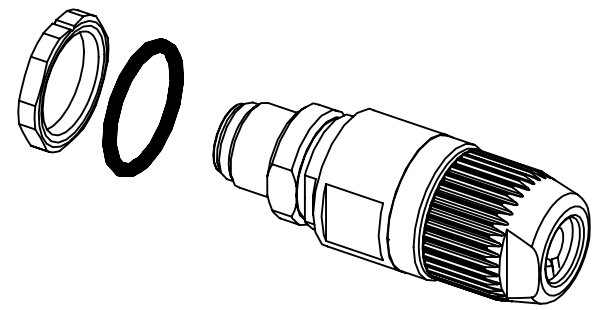
A (2:1)

panel cut out
(1:1)

contact face acc. to
IEC 61076-2-101



cable Ø			conductor cross section
5.5-7.2mm	4.5-5.4mm	7.0-8.8mm	
sealing			0.14 - 0.34mm ² AWG26-AWG22
black	transparent	beige	



	All Dimensions in mm Original Size DIN A4		Scale 1:1	Free size tol.		Ref.	
	All rights reserved Department EL PD		Created by DYCKC	Inspected by EISFELD	Standardisation 302077	Date 2020-10-22	State Final Release
HARTING Electronics GmbH D-32339 Espelkamp			Title HARTING M12 PFT male A-coded 4-pole			Doc-Key / ECM-Nr. 100182128/UGD/004/G 500000179215	
			Type TB	Number 21033211425		Rev. G	Page 1/1