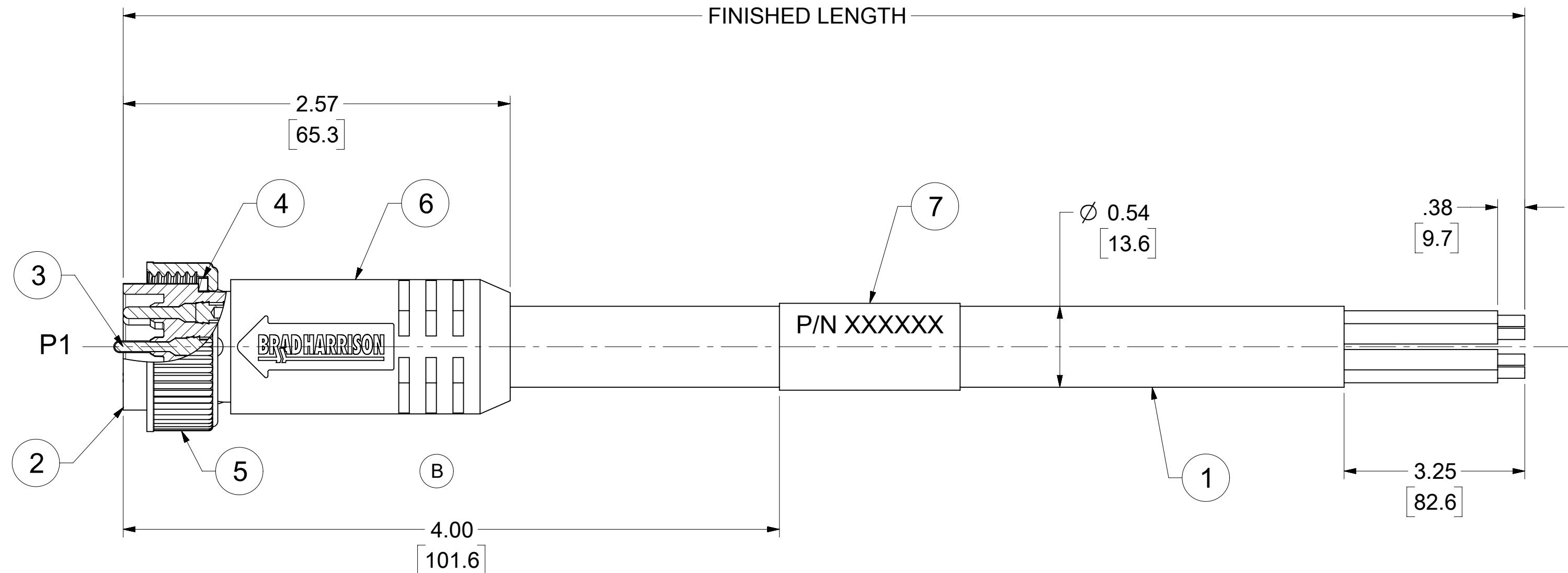
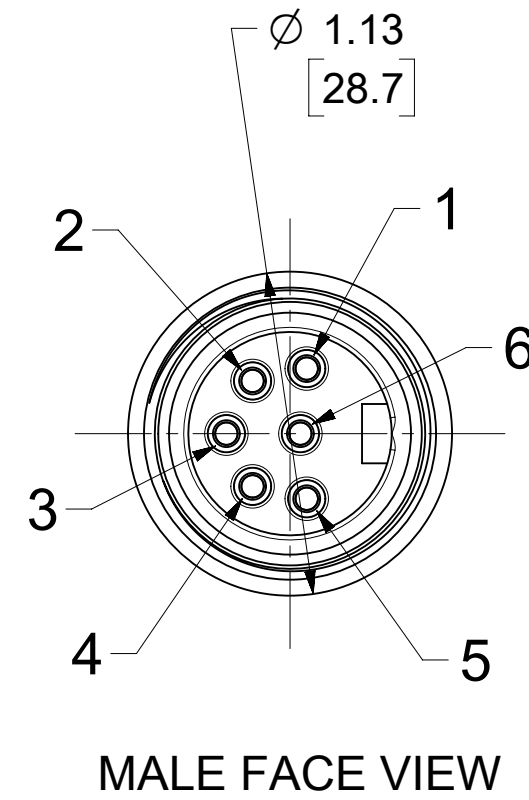
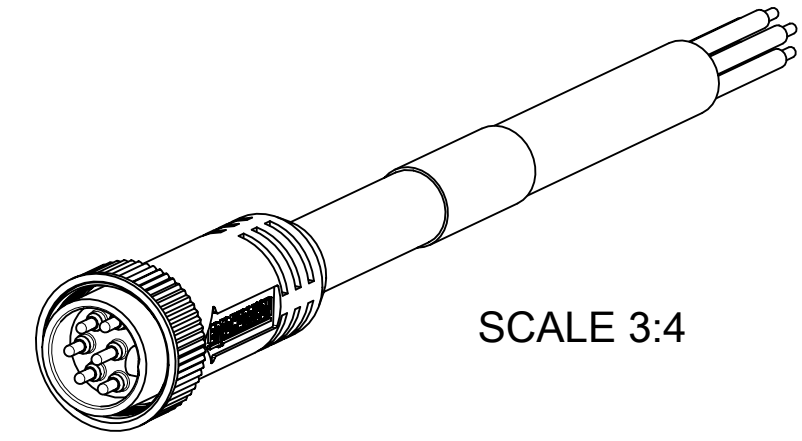


MATERIAL NO.	ENGINEERING NO.	FINISHED LENGTH
1300070049	206002A01F030	3 FT (0.91 M)
1300070054	206002A01F120	12 FT (3.66 M)
1300070057	206002A01F200	20 FT (6.10 M)

**CABLE LENGTH TOLERANCES**  
 <.3M [1FT]: +19mm-0 [ +.75in-0]  
 .3 - .9M [1 - 3FT]: +44.5mm-0 [+1.75in-0]  
 .9 - 1.8M [3 - 6FT]: +55.6mm-0 [+2.19in-0]  
 1.8 - 3.7M [6 - 12FT]: +88.9mm-0 [+3.50in-0]  
 3.7 - 7.3M [12 - 24FT]: +165.1mm-0 [+6.50in-0]  
 7.3-14.6M [24 - 48FT]: +317.5mm-0 [+12.50in-0]  
 14.6 - 30.5M [48-100FT]: +622.3mm-0 [+24.50in-0]  
 OVER 30M [100FT] +2% OF FINISHED LENGTH



- NOTES:**
1. MATERIAL: AS NOTED
  2. FINISH: AS NOTED
  3. ELECTRICAL:  
 VOLTAGE: 400V PER IEC60664  
 600V PER UL2238  
 CURRENT: 8A
  4. TEMP RATING: -20°C TO +105°C
  5. PROTECTION: IP67 (WHEN MATED)
  6. CSA CERTIFIED FILE: LR6837
  7. UL RECOGNIZED FILE: E152210
  8. COUPLING THREAD: 1"-16UN
  9. ALL DIMS ARE FOR REFERENCE UNLESS TOLERANCED OR NOTED OTHERWISE

**WIRING DIAGRAM**

P1

1	ORANGE
2	BLUE
3	BLACK
4	WHITE
5	RED
6	GREEN/YELLOW

**PART NUMBER LEGEND**

206002A01F030

FINISHED LENGTH  
 F001= .1 FT  
 F020= 2 FT  
 F200= 20 FT

ITEM	DESCRIPTION	MATERIAL	FINISH
7	WRAP LABEL	VINYL	BLACK/YELLOW
6	OVERMOLD	TPE	YELLOW
5	COUPLING NUT	ZINC DIE CAST	BLACK E-COAT
4	FRICTION RING	NYLON	WHITE
3	PIN CONTACT	Cu ALLOY	GOLD OVER NICKEL
2	MALE INSERT	TPE	YELLOW
1	#16-6 CABLE, STOOV/ST	PVC JACKET	YELLOW
ITEM	DESCRIPTION	MATERIAL	FINISH

FUNCTIONAL SYMBOLS	THIS DRAWING CONTAINS INFORMATION THAT IS PROPRIETARY TO MOLEX ELECTRONIC TECHNOLOGIES, LLC AND SHOULD NOT BE USED WITHOUT WRITTEN PERMISSION		CURRENT REV DESC: UPDATED ITEM #2,6 WERE PVC, 7 WAS PLASTIC FILM, LABEL DIM., MATERIAL TABLE. ADDED CSA, UL, IEC VOLT, TEMP & IP RATING, PART NO. LEGEND & TOL. CHART.	
	DIMENSION UNITS	SCALE	EC NO: 718076	
	INCH/MM	1.5:1	DRWN: VHANDI	2021/06/03
	GENERAL TOLERANCES (UNLESS SPECIFIED)		CHK'D: RSTONE	2022/08/18
DIVISIONAL SYMBOLS	4 PLACES	±	APPR: BWOODMAN	2022/08/22
	3 PLACES	±	INITIAL REVISION:	
	2 PLACES	±	DRWN: BRUPERT	2009/06/02
	1 PLACE	±	APPR: JFMURPHY	2009/06/10
0 PLACES		±	THIRD ANGLE PROJECTION	
ANGULAR TOL		± °	DRAWING	SERIES
DRAFT WHERE APPLICABLE MUST REMAIN WITHIN DIMENSIONS			C-SIZE	130007



MINI-CHANGE CORDSET, B-SIZE  
 6 POLE, MALE, STRAIGHT, SINGLE KEY, 16 AWG

PRODUCT CUSTOMER DRAWING

DOCUMENT NUMBER: SD-130007-002  
 DOC TYPE: PSD  
 DOC PART: 001  
 REVISION: B

MATERIAL NUMBER: SEE TABLE  
 CUSTOMER: GENERAL MARKET  
 SHEET NUMBER: 1 OF 1