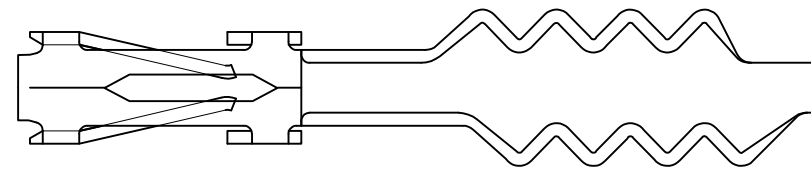
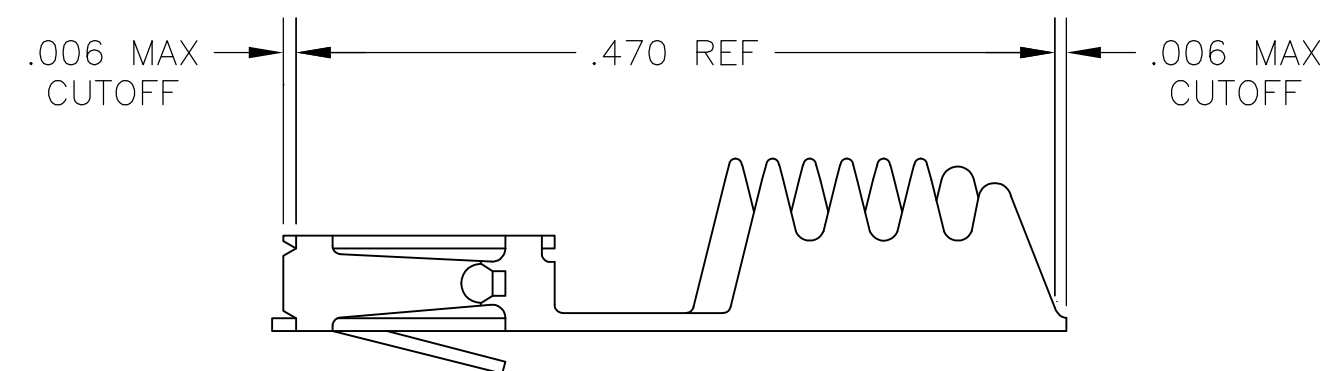


THIS DRAWING IS UNPUBLISHED. RELEASED FOR PUBLICATION  
 © COPYRIGHT - By - ALL RIGHTS RESERVED.

LOC	DIST	REVISIONS			
P	LTR	DESCRIPTION	DATE	DWN	APVD
AD	00	D	REVISED PER ECO-15-012503	27FEB2016	NK JO



- 1 LOOSE PIECE CONTACTS MUST MEET ALL APPLICABLE STRIP SPECIFICATION IN ADDITION TO THOSE SHOWN
- △2 .000030 GOLD OVER .000050 NICKEL
- △3 GOLD FLASH OVER .000050 NICKEL ENTIRE CONTACT, .000030 GOLD ON CONTACT AREA
- △4 PREPLATED:(HALT).000078-.000158 BRIGHT TIN
- △5 OBSOLETE PART NUMBER



△4	87107-6	102348-3
△3	87107-5	102348-2
△2	87107-2	△5 102348-1
FINISH	STRIP PART NO.	PART NO.

THIS DRAWING IS A CONTROLLED DOCUMENT.		DWN E.C.CLAYBAUGH 08APR98	<b>STE</b> TE Connectivity											
DIMENSIONS: INCHES		CHK -												
TOLERANCES UNLESS OTHERWISE SPECIFIED:		APVD -	NAME CONTACT,MOD IV, CRIMP SNAP-IN (LOOSE PIECE)											
<table border="0"> <tr><td>0 PLC</td><td>± -</td></tr> <tr><td>1 PLC</td><td>± -</td></tr> <tr><td>2 PLC</td><td>± -</td></tr> <tr><td>3 PLC</td><td>± -</td></tr> <tr><td>4 PLC</td><td>± -</td></tr> <tr><td>ANGLES</td><td>± -</td></tr> </table>		0 PLC			± -	1 PLC	± -	2 PLC	± -	3 PLC	± -	4 PLC	± -	ANGLES
0 PLC	± -													
1 PLC	± -													
2 PLC	± -													
3 PLC	± -													
4 PLC	± -													
ANGLES	± -													
MATERIAL COPPER ALLOY	FINISH SEE TABLE	APPLICATION SPEC -	SIZE A3	CAGE CODE 00779	DRAWING NO C-102348	RESTRICTED TO -								
CUSTOMER DRAWING			SCALE N.T.S	SHEET 1 OF 1	REV D									