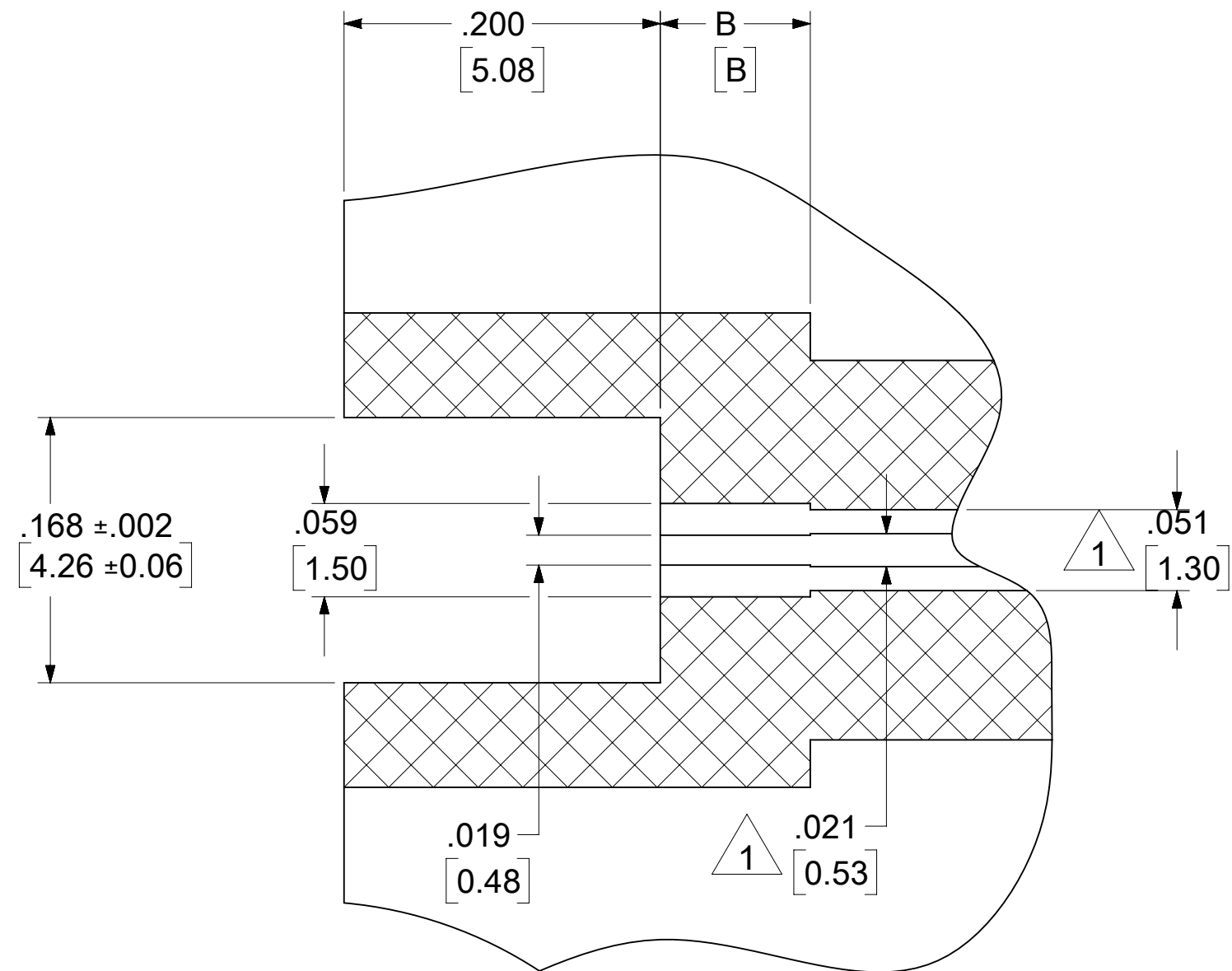
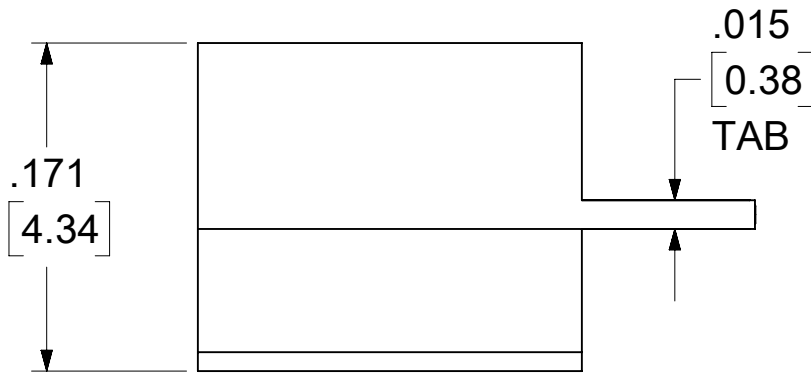
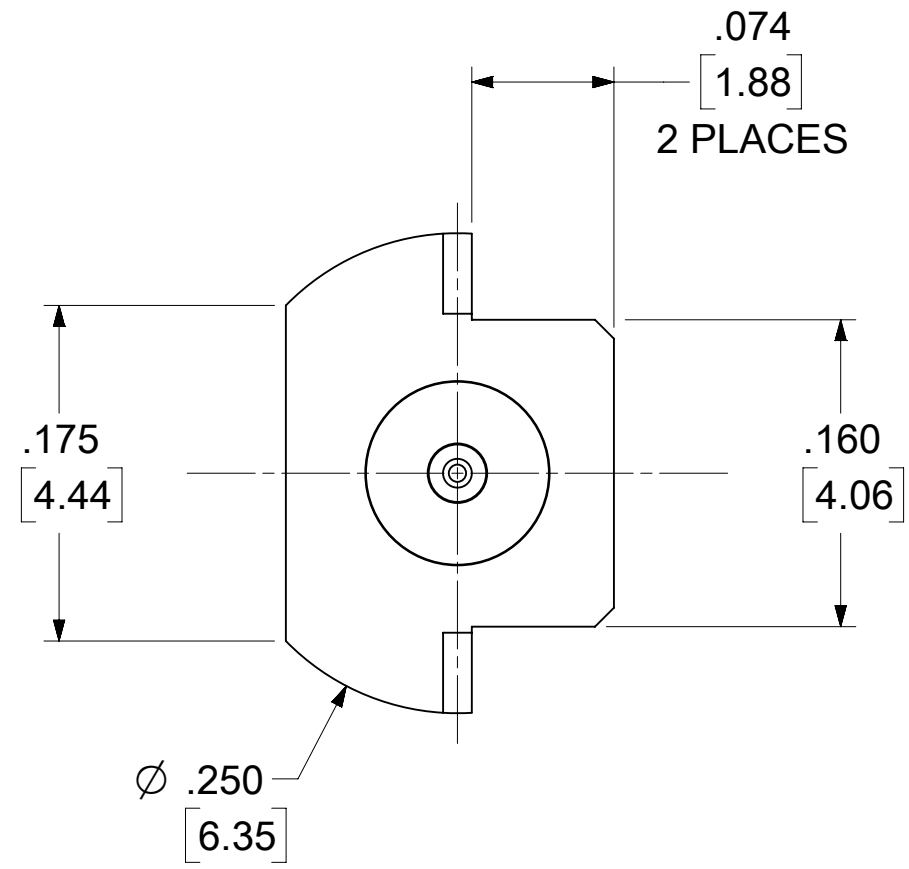
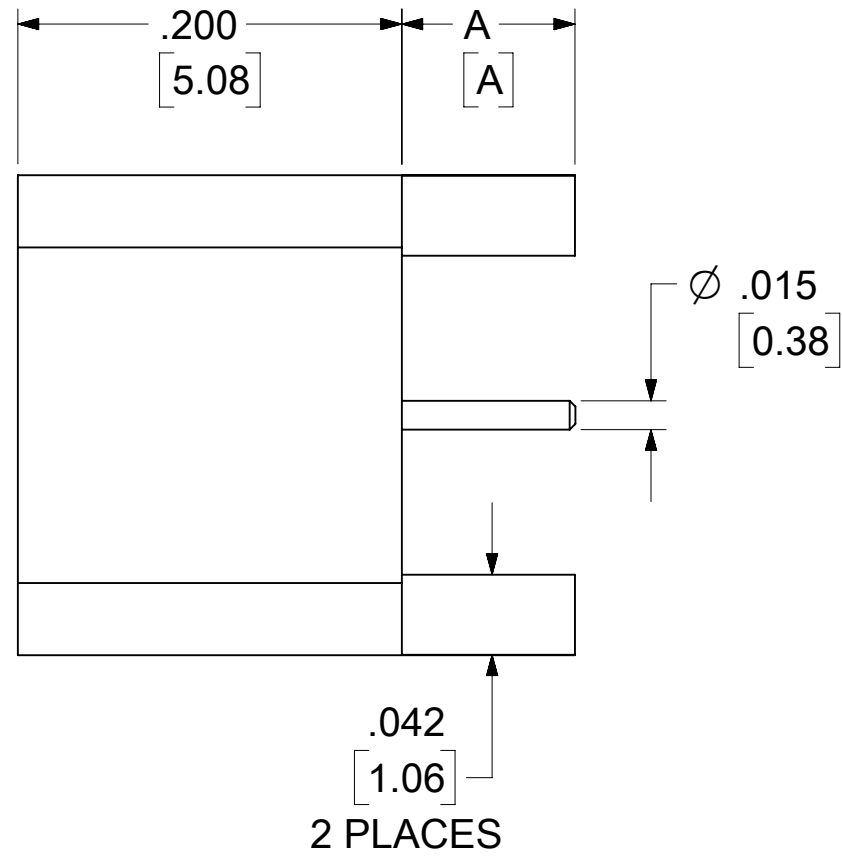
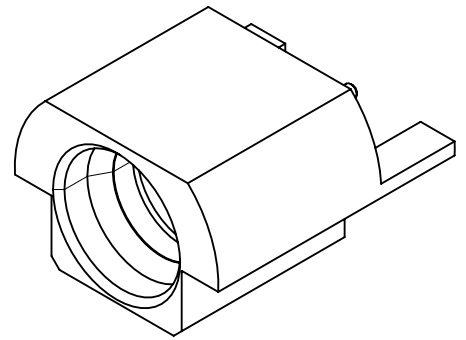


MATERIALS AND FINISHES:

BODY: BRASS
 PLATED GOLD
 SEE TABLE FOR THICKNESS

CENTER CONTACT: BRASS
 PLATED GOLD

INSULATOR: PTFE



RECOMMENDED PCB LAYOUT

1 DIMENSIONS APPLICATION FOR ROGERS 4350 PCB MATERIAL ONLY

LABEL FORMAT FOR
 73415-3597

PART NUMBER: 73415-3594
 ORDER NUMBER: 73415-3597
 MOLEX
 DATE: YYWW

LABEL FORMAT FOR
 73415-3595

PART NUMBER: 73415-3591
 ORDER NUMBER: 73415-3595
 MOLEX
 DATE: YYWW

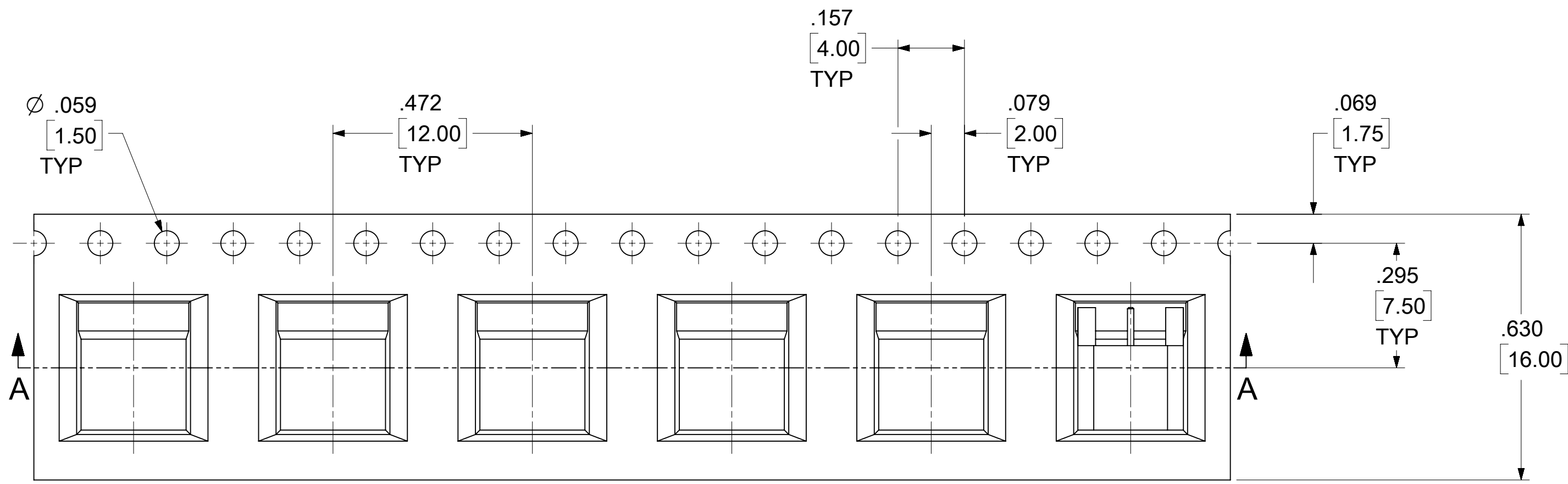
73415-3597	.090 REF	2.29 REF	.095	2.41	30 u" GOLD	73415-3594 ONE PER BAG	895420470
73415-3596	.050 REF	1.27 REF	.055	1.40	10 u" GOLD	73415-3591 TAPE AND REEL	SHEET 2 & 3
73415-3595						73415-3591 ONE PER BAG	895420088
73415-3594	.090 REF	2.29 REF	.095	2.41	30 u" GOLD	73415-3594 TRAY	895420040
73415-3593	.050 REF	1.27 REF	.055	1.40	10 u" GOLD	73415-3591 SMALL TRAY	895420060
73415-3592	.090 REF	2.29 REF	.095	2.41		73415-3590 SMALL TRAY	
73415-3591	.050 REF	1.27 REF	.055	1.40		73415-3591 TRAY	895420040
73415-3590	.090 REF	2.29 REF	.095	2.41	73415-3590 TRAY		
PART NO.	IN	MM	IN	MM	BODY PLATING	DESCRIPTION	PACKING SPEC
	DIM A		DIM B				

PS-89675-3320	PRODUCT SPECIFICATION
MIL-STD-348A, FIG. 326-3	INTERFACE
SPECIFICATION	DESCRIPTION

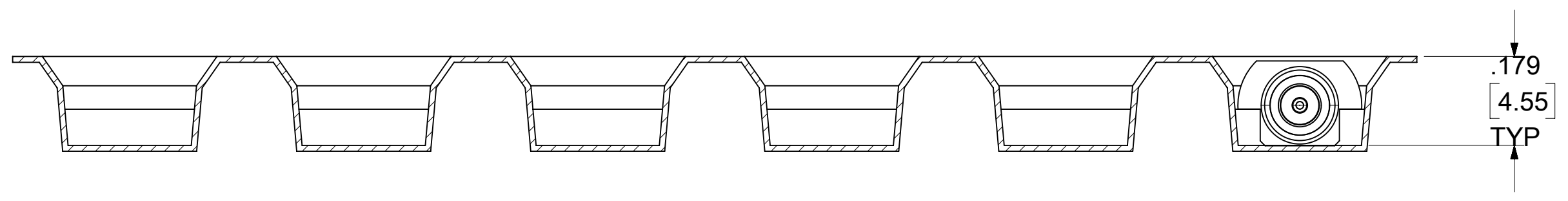
DOCUMENT STATUS	P1	RELEASE DATE	2022/08/29	06:23:08
-----------------	----	--------------	------------	----------

THIS DRAWING CONTAINS INFORMATION THAT IS PROPRIETARY TO MOLEX ELECTRONIC TECHNOLOGIES, LLC AND SHOULD NOT BE USED WITHOUT WRITTEN PERMISSION

DIMENSION UNITS INCH/MM	SCALE NTS	CURRENT REV DESC: ADD 73415-3597 PER EWR #15321-B	molex		
GENERAL TOLERANCES (UNLESS SPECIFIED)	ANGULAR TOL ± 2.0°	EC NO: 719074			
4 PLACES ±		DRWN: RYEH	PRODUCT CUSTOMER DRAWING		
3 PLACES ±		CHK'D: YCHENG	DOCUMENT NUMBER		
2 PLACES ±		APPR: YCHENG	SD-73415-359		
1 PLACE ±		INITIAL REVISION:	DOC TYPE	DOC PART	REVISION
0 PLACES ±		DRWN: RFC_PLMIMP	PSD	001	A9
		APPR: MHUANG	MATERIAL NUMBER	CUSTOMER	SHEET NUMBER
DRAFT WHERE APPLICABLE MUST REMAIN WITHIN DIMENSIONS	THIRD ANGLE PROJECTION	DRAWING C-SIZE	73415	GENERAL MARKET	1 OF 3



FOR 73415-3596

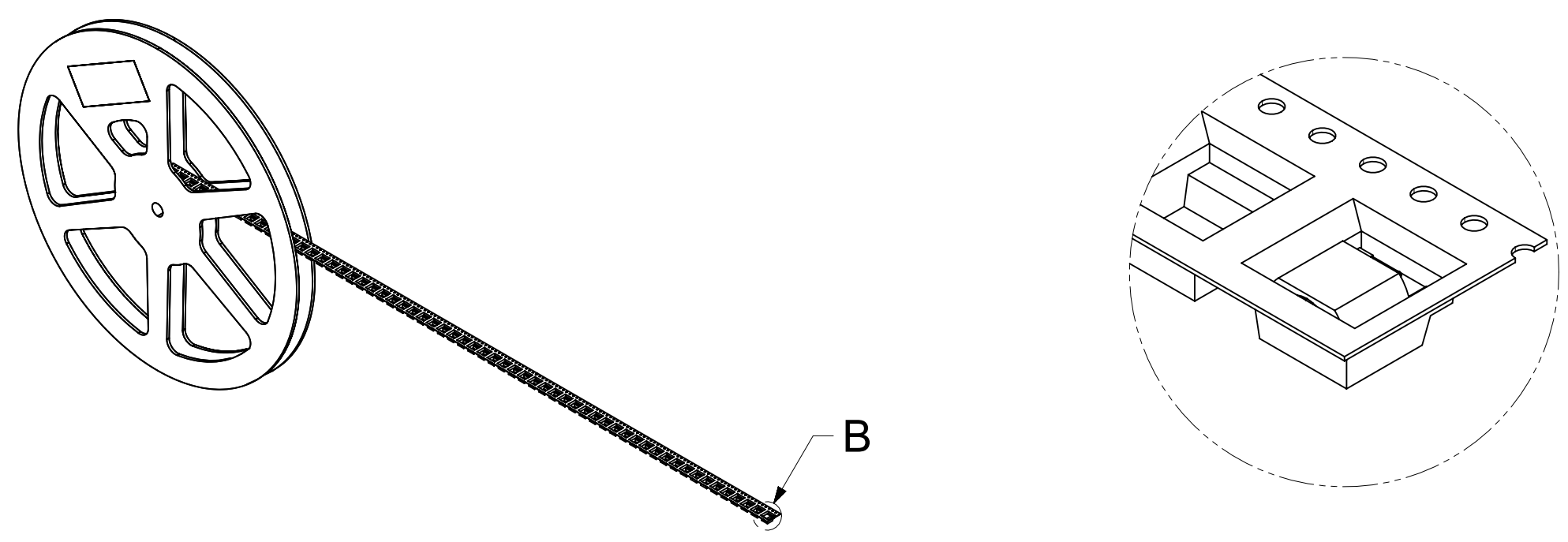
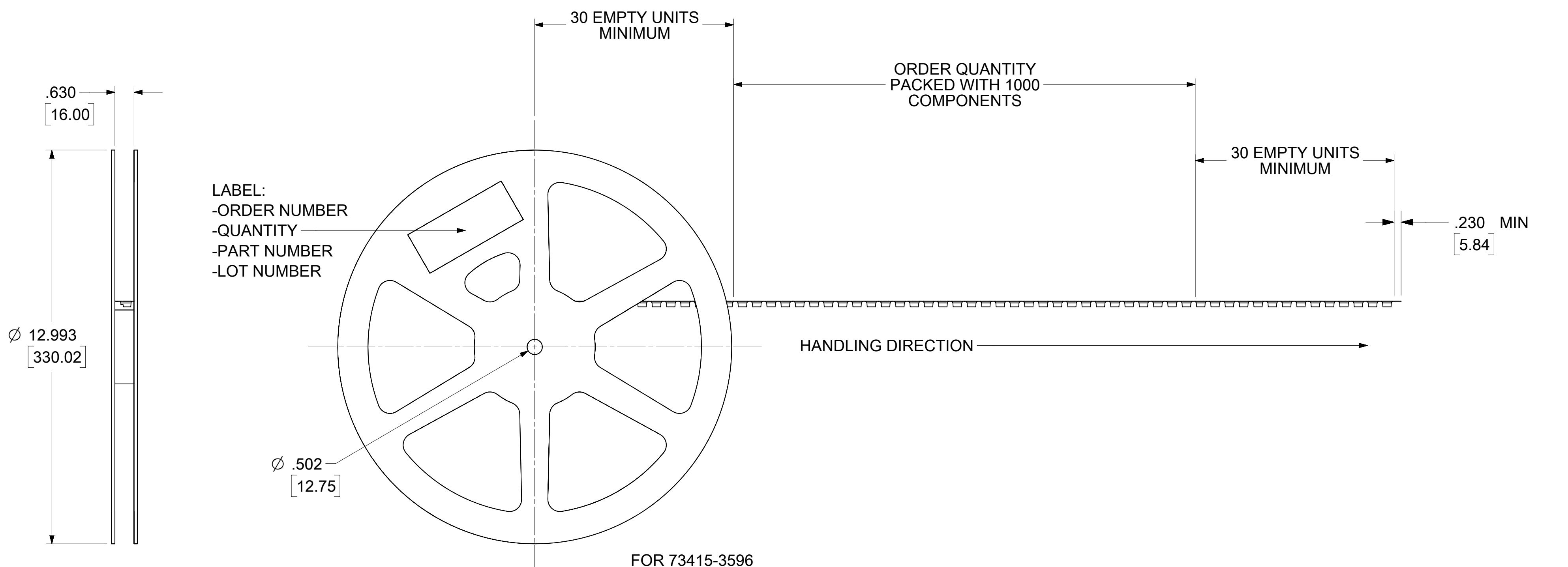


SECTION A-A

THIS DRAWING CONTAINS INFORMATION THAT IS PROPRIETARY TO MOLEX ELECTRONIC TECHNOLOGIES, LLC AND SHOULD NOT BE USED WITHOUT WRITTEN PERMISSION

DIMENSION UNITS INCH/MM		SCALE NTS		CURRENT REV DESC: ADD 73415-3597 PER EWR #15321-B		molex									
GENERAL TOLERANCES (UNLESS SPECIFIED)				EC NO: 719074						SMP PLUG, PCB EDGEMOUNT 50 OHMS LIMITED DETENT SMP-P/PCB					
ANGULAR TOL		± 2.0°		DRWN: RYEH		2022/08/15		PRODUCT CUSTOMER DRAWING							
4 PLACES		±		CHK'D: YCHENG		2022/08/29						DOCUMENT NUMBER SD-73415-359			
3 PLACES		±		APPR: YCHENG		2022/08/29		DOC TYPE		DOC PART					
2 PLACES		±		INITIAL REVISION:		2017/12/28		PSD		001		A9			
1 PLACE		±		DRWN: RFC_PLMIMP		2007/02/05		MATERIAL NUMBER		CUSTOMER		SHEET NUMBER			
0 PLACES		±		APPR: MHUANG		C-SIZE		73415		GENERAL MARKET		2 OF 3			
DRAFT WHERE APPLICABLE MUST REMAIN WITHIN DIMENSIONS				THIRD ANGLE PROJECTION		DRAWING		SERIES		MATERIAL NUMBER		CUSTOMER		SHEET NUMBER	

DOCUMENT STATUS	P1	RELEASE DATE	2022/08/29	06:23:08
-----------------	----	--------------	------------	----------



THIS DRAWING CONTAINS INFORMATION THAT IS PROPRIETARY TO MOLEX ELECTRONIC TECHNOLOGIES, LLC AND SHOULD NOT BE USED WITHOUT WRITTEN PERMISSION											
DIMENSION UNITS		SCALE		CURRENT REV DESC: ADD 73415-3597 PER EWR #15321-B						molex	
INCH/MM		NTS									
GENERAL TOLERANCES (UNLESS SPECIFIED)				EC NO: 719074							
ANGULAR TOL ± 2.0°				DRWN: RYEH				2022/08/15			
4 PLACES ±				CHK'D: YCHENG				2022/08/29			
3 PLACES ±				APPR: YCHENG				2022/08/29			
2 PLACES ±				INITIAL REVISION:							
1 PLACE ±				DRWN: RFC_PLMIMP				2017/12/28			
0 PLACES ±				APPR: MHUANG				2007/02/05			
DRAFT WHERE APPLICABLE MUST REMAIN WITHIN DIMENSIONS		THIRD ANGLE PROJECTION		DRAWING		SERIES		DOCUMENT NUMBER		DOC TYPE DOC PART REVISION	
				C-SIZE		73415		SD-73415-359		PSD 001 A9	
								MATERIAL NUMBER		CUSTOMER	
								SEE TABLE		GENERAL MARKET	
										SHEET NUMBER	
										3 OF 3	