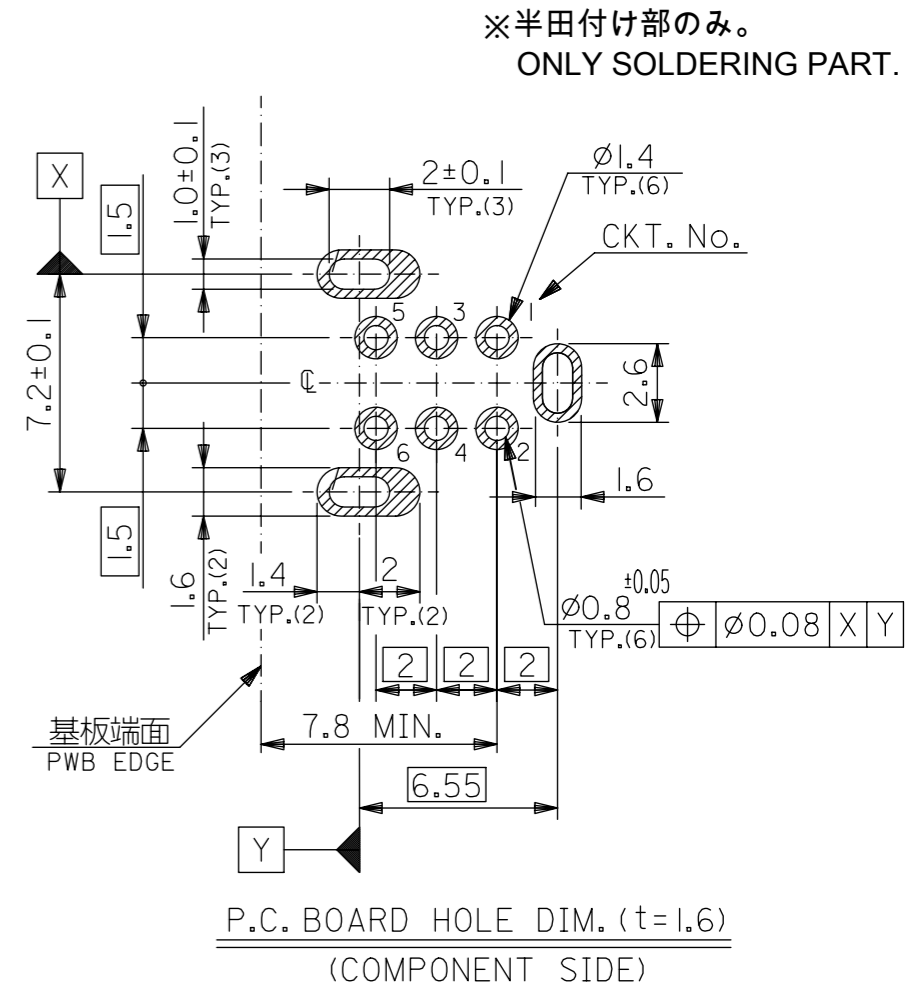
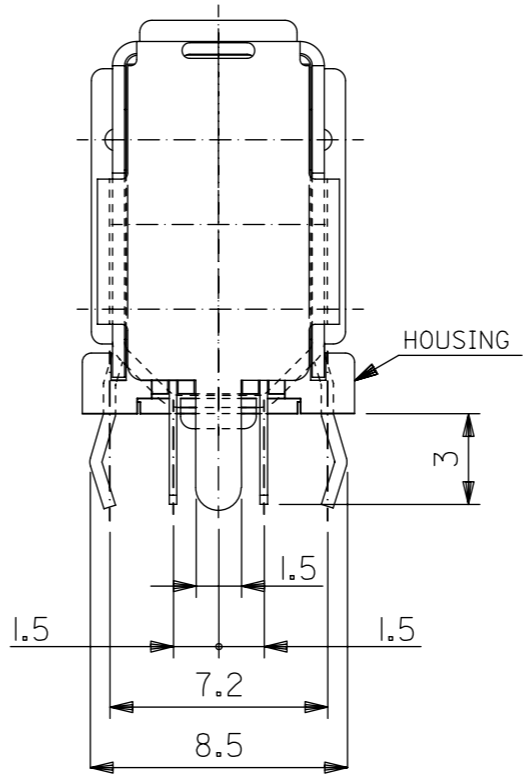
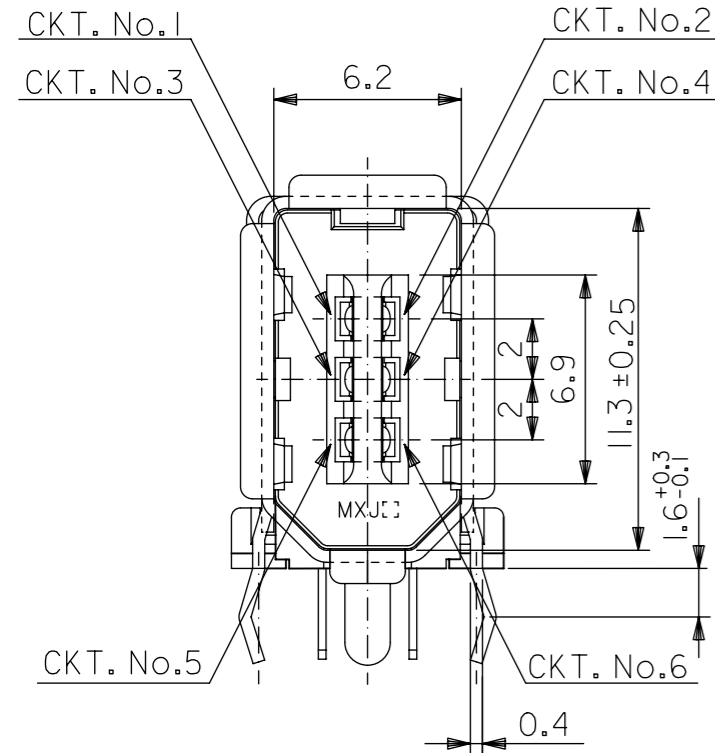


部番 No.	部品名 PARTS NAME	材質 MATERIAL	記事 ARTICLE
①	ハウジング HOUSING	ガラス入り耐熱樹脂 G.F. HEAT RESISTANT PLASTIC	UL94V-0, 色:黒 UL94V-0, COLOR : BLACK
②	ピン PIN	黄銅 t0.25 BRASS t0.25	接点部 : 金メッキ0.76μmMIN. CONTACT AREA : GOLD 0.76μmMIN. 半田付け部 : 錫メッキ1μmMIN. SOLDER TAIL AREA : TIN 1μmMIN. 下地メッキ : ニッケルメッキ2μmMIN. UNDER-PLATING : NICKEL 2 μmMIN.
③	シエル SHELL	りん青銅 t0.4 PHOSPHOR BRONZE t0.4	錫メッキ : 1.0μmMIN.* TIN : 1.0 μmMIN. 下地メッキ : ニッケルメッキ1.27μmMIN.* UNDER-PLATING : NICKEL 1.27 μmMIN.



注記 :
NOTES :
1. 本製品は53460-0629の生産地変更品である。
THIS PRODUCT IS PRODUCTION TRANSFER OF 53460-0629.

6	53460-0639	53460-**39
CKT	MATERIAL NO.	MODEL NO.

THIS DRAWING CONTAINS INFORMATION THAT IS PROPRIETARY TO MOLEX ELECTRONIC TECHNOLOGIES, LLC AND SHOULD NOT BE USED WITHOUT WRITTEN PERMISSION		CURRENT REV DESC:		molex	
DIMENSION UNITS	SCALE	EC NO: 659204			
mm	4:1	DRWN: KNAGUMO 2021/03/09		2.0 I/O CONN.SOCKET RIGHT-ANGLE UPRIGHT WITH KINK -LEAD FREE-	
GENERAL TOLERANCES (UNLESS SPECIFIED)		CHK'D: SHOSHIKAWA 2021/09/15			
ANGULAR TOL	± 3.0°	APPR: SHOSHIKAWA 2021/09/15		PRODUCT CUSTOMER DRAWING	
4 PLACES	± 0.2	INITIAL REVISION:		DOCUMENT NUMBER	
3 PLACES	± 0.2	DRWN: KTAKEUCHI01 2016/12/13		534600000	
2 PLACES	± 0.2	APPR: RTAKEUCHI 2018/03/15		DOC TYPE DOC PART REVISION	
1 PLACE	± 0.2	DRAFT WHERE APPLICABLE MUST REMAIN WITHIN DIMENSIONS		PSD 001 B	
0 PLACES	± 0.2	THIRD ANGLE PROJECTION	DRAWING	SERIES	SHEET NUMBER
			A3-SIZE	53460	1 OF 1