

## Cat.6A UTP 28AWG Slim Patch Cord - AXT PASS



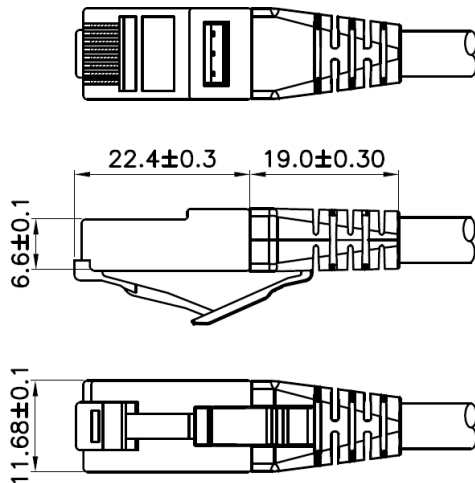
### Features

- Small, flexibly cable and extreme performance design for Hyper-Scale and Edge Data Center
- Compliant with ISO/IEC11801-1 class EA and ANSI/TIA 568.2-D Cat.6A 4 points channel included the AXT - Alien Cross Talk
- Compliant with ANSI/TIA 568.2-D Cat.6A patch cord performance
- Power over HDBaseT™ (PoH) applications up to 100 watts

### Standard Compliance

- ANSI/TIA-568.2-D
- ISO/IEC 11801-1, Class EA
- IEC 60603-7
- IEEE 802.3bt type 4 PoE++(4PPoE) 100 watts
- ANSI/TIA-1096-A (formerly FCC Part 68)
- IEC 61034-2 Smoke
- IEC 60754-2 Halogen / Acid
- IEC 61935-2
- IEC 60512-99-002
- RoHS /REACH compliant

Dimensions (mm)



### Length Information, at 20 °C

- **Length Available :**

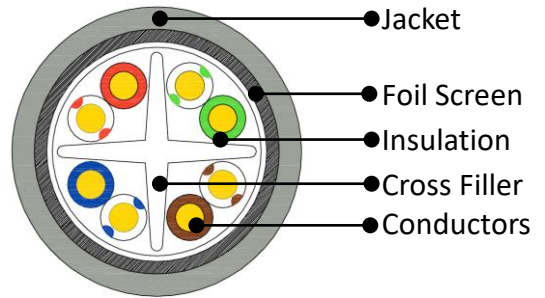
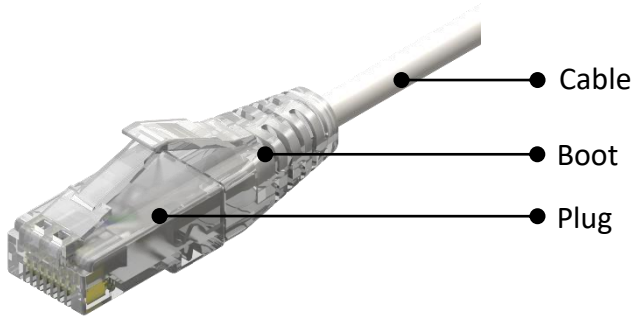
2-connector Channel: 1m to 15m

Point to Point (w/o Perm. Link): 0.5m to 40m

- **Channel Linking Length Information :**

Cord A	Perm. Link	Cord B	Performance
5m	90m	1m	Channel & 4PPoE
15m	70m	1m	Channel & 4PPoE
1m	10m	1m	Channel & 4PPoE

## Cat.6A UTP 28AWG Slim Patch Cord - AXT PASS



### Specifications

#### Patch cord Reliability

• Life (mating cycles)	Min. 750 cycles
• Pulling tension	50N for 60sec.
• Strain relief	50N for 60sec. in all direction
• Flexing	2N for 500 cycles, 20cycles per 60sec.
• Bend radius	Min. 180mm
• Insulation resistance	≥ 500 MΩ at 100 Vd.c., for 60sec.
• Voltage proof	Contact to contact 1000 Vd.c., for 60sec.
• Installing temperature	0°C to 50°C (32°F to 122°F)
• Storage temperature	-40°C to 70°C (-40°F to 158°F), under static conditions
• Operating temperature	-10°C to 60°C (14°F to 140°F), under static conditions

#### Cable

• Conductors	Bare copper, 28AWG
• Insulation	PE, OD 0.62 ±0.03mm
• Foil Screen	Aluminum/PET
• Jacket	0.5mm(nominal) thickness, OD 4.6±0.2mm
• Cross filler(separator)	PE

#### Cable Marking

• LSZH	SOLID CABLE 28AWG 4PR LSZH ISO/IEC 11801 CLASS EA & ANSI/TIA-568.2-D CAT.6A XXXXXXX-X
--------	--

#### Plug

• Conductors	Phosphor bronze, min. 0.3mm thickness
• Gold plating	50 micro-inch gold plating over 50 micro-inch nickel plating on contact area
• Housing	2 rows type, polycarbonate, UL rated, transparent color
• Load bar	2 rows type, polycarbonate, UL rated, transparent color
• Contact resistances	≤ 20mΩ

#### Boot

• Boot	Polycarbonate, UL rated, transparent color
--------	--