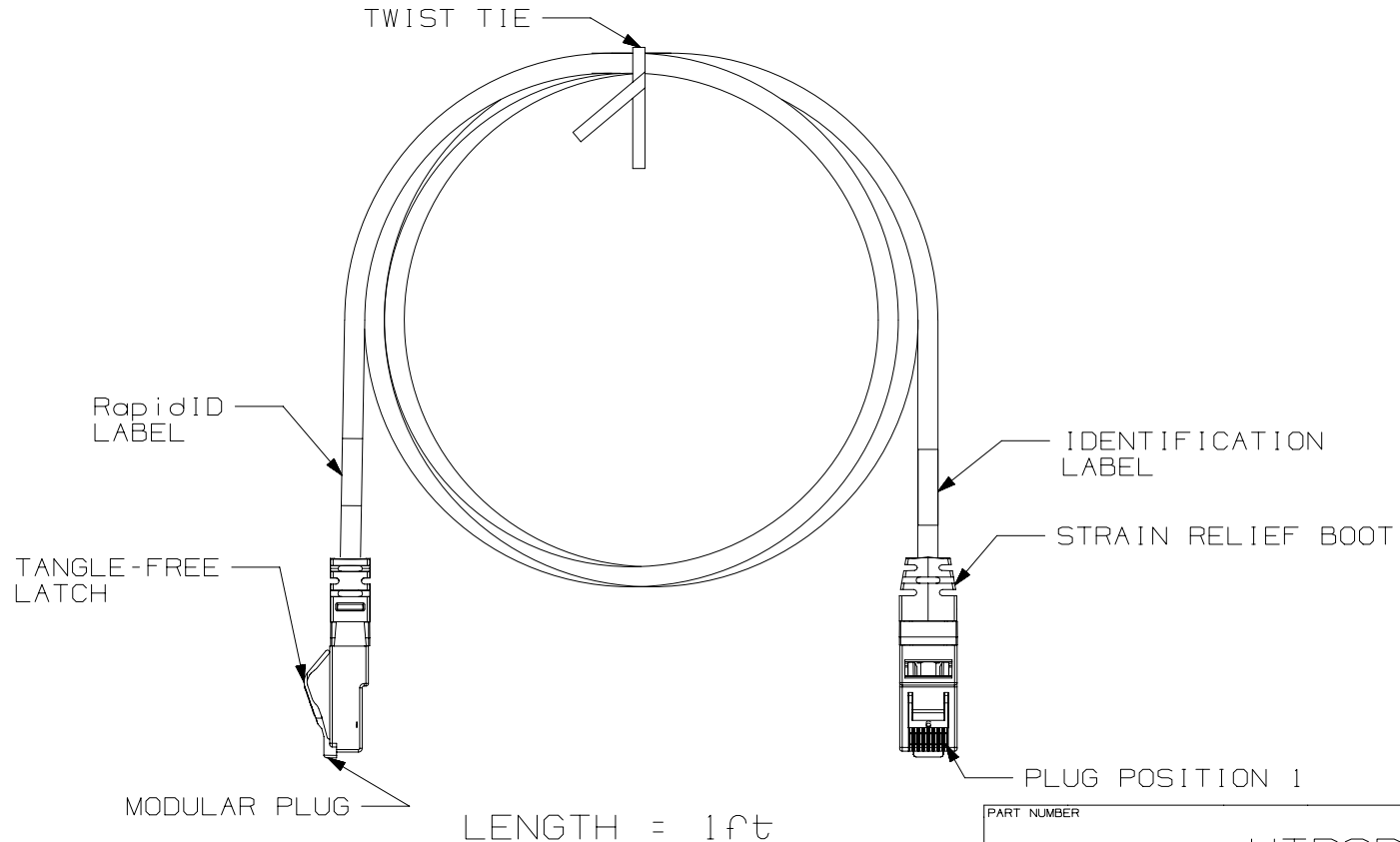
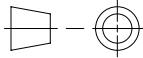




THIS COPY IS PROVIDED ON A RESTRICTED BASIS AND IS NOT TO BE USED IN ANY WAY DETRIMENTAL TO THE INTERESTS OF PANDUIT CORP.



SEE SHEET 3 FOR  
PATCH CORD LENGTHS  
AND PART NUMBERS

|                                                                                       |  |                              |  |
|---------------------------------------------------------------------------------------|--|------------------------------|--|
| PART NUMBER                                                                           |  | UTPSPXX**Y                   |  |
| TITLE                                                                                 |  | TX6 PLS UTP PATCH CORDS (CM) |  |
|                                                                                       |  | CUSTOMER DRAWING             |  |
| ITEM REVISION NAME                                                                    |  | M02479NV/05                  |  |
| DATASET FILE NAME                                                                     |  | M02479NV_DC360/05A           |  |
|  |  | THIRD ANGLE PROJECTION       |  |
| MATERIAL                                                                              |  | SEE NOTE 4                   |  |
| DRAWING NUMBER                                                                        |  | 02479-360                    |  |
| DRAWN BY                                                                              |  | NER                          |  |
| DATE                                                                                  |  | 3-28-06                      |  |
| CHK                                                                                   |  | WJC                          |  |
| SCALE                                                                                 |  | NONE                         |  |
| SHEET 2 OF 3                                                                          |  | A                            |  |

| 05A | 5-20-21 | BJN | REFR | RWI | SEE SHEET 1 FOR REVISION HISTORY | 02479-360 |
|-----|---------|-----|------|-----|----------------------------------|-----------|
| REV | DATE    | BY  | CHK  | APR | DESCRIPTION                      | ECN       |

A-SIZE CUSTOMER

2

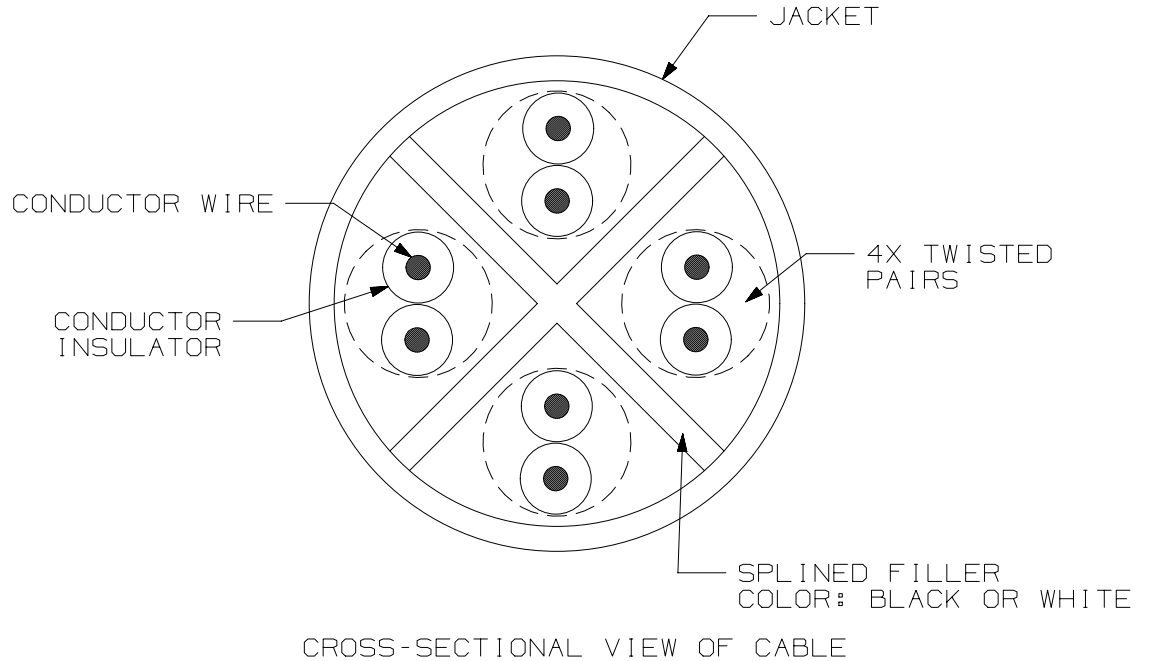
1

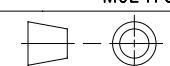
2

1

THIS COPY IS PROVIDED ON A RESTRICTED BASIS AND IS NOT TO BE USED IN ANY WAY DETRIMENTAL TO THE INTERESTS OF PANDUIT CORP.  
TX6 PLUS UTP PATCH CORDS

| PANDUIT PART NUMBER | MIN. CABLE LENGTH | PANDUIT PART NUMBER | MIN. CABLE LENGTH |
|---------------------|-------------------|---------------------|-------------------|
| UTPSP1**Y           | 1 FT.             | UTPSP0.5M**Y        | 0.5 METER         |
| UTPSP2**Y           | 2 FT.             | UTPSP1M**Y          | 1 METER           |
| UTPSP3**Y           | 3 FT.             | UTPSP1.5M**Y        | 1.5 METER         |
| UTPSP4**Y           | 4 FT.             | UTPSP2M**Y          | 2 METERS          |
| UTPSP5**Y           | 5 FT.             | UTPSP2.5M**Y        | 2.5 METERS        |
| UTPSP6**Y           | 6 FT.             | UTPSP3M**Y          | 3 METERS          |
| UTPSP7**Y           | 7 FT.             | UTPSP4M**Y          | 4 METERS          |
| UTPSP8**Y           | 8 FT.             | UTPSP5M**Y          | 5 METERS          |
| UTPSP9**Y           | 9 FT.             | UTPSP6M**Y          | 6 METERS          |
| UTPSP10**Y          | 10 FT.            | UTPSP7M**Y          | 7 METERS          |
| UTPSP11**Y          | 11 FT.            | UTPSP8M**Y          | 8 METERS          |
| UTPSP12**Y          | 12 FT.            | UTPSP9M**Y          | 9 METERS          |
| UTPSP13**Y          | 13 FT.            | UTPSP10M**Y         | 10 METERS         |
| UTPSP14**Y          | 14 FT.            | UTPSP15M**Y         | 15 METERS         |
| UTPSP15**Y          | 15 FT.            | UTPSP20M**Y         | 20 METERS         |
| UTPSP16**Y          | 16 FT.            | UTPSP25M**Y         | 25 METERS         |
| UTPSP17**Y          | 17 FT.            | UTPSP30M**Y         | 30 METERS         |
| UTPSP18**Y          | 18 FT.            | UTPSP35M**Y         | 35 METERS         |
| UTPSP19**Y          | 19 FT.            | UTPSP40M**Y         | 40 METERS         |
| UTPSP20**Y          | 20 FT.            |                     |                   |
| UTPSP25**Y          | 25 FT.            |                     |                   |
| UTPSP30**Y          | 30 FT.            |                     |                   |
| UTPSP35**Y          | 35 FT.            |                     |                   |
| UTPSP40**Y          | 40 FT.            |                     |                   |



|                                                                                       |         |                               |       |
|---------------------------------------------------------------------------------------|---------|-------------------------------|-------|
| PART NUMBER                                                                           |         | UTPSPXX**Y                    |       |
| TITLE                                                                                 |         | TX6 PLUS UTP PATCH CORDS (CM) |       |
|                                                                                       |         | CUSTOMER DRAWING              |       |
| ITEM REVISION NAME                                                                    |         | M02479NV/05                   |       |
| DATASET FILE NAME                                                                     |         | M02479NV_DC360/05A            |       |
|  |         | THIRD ANGLE PROJECTION        |       |
| MATERIAL                                                                              |         | SEE NOTE 4                    |       |
| DRAWING NUMBER                                                                        |         | 02479-360                     |       |
| DRAWN BY                                                                              | DATE    | CHK                           | SCALE |
| NER                                                                                   | 3-28-06 | WJC                           | NONE  |
| SHEET 3 OF 3                                                                          |         |                               | SIZE  |
|                                                                                       |         |                               | A     |

A-SIZE CUSTOMER

| 05A | 5-20-21 | BJN | REFR | RWI | SEE SHEET 1 FOR REVISION HISTORY | 02479-360 |
|-----|---------|-----|------|-----|----------------------------------|-----------|
| REV | DATE    | BY  | CHK  | APR | DESCRIPTION                      | ECN       |