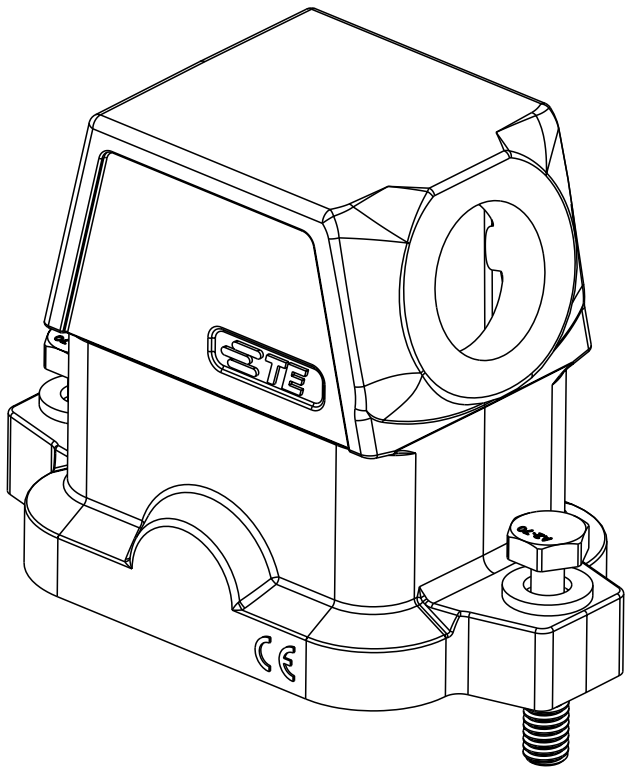
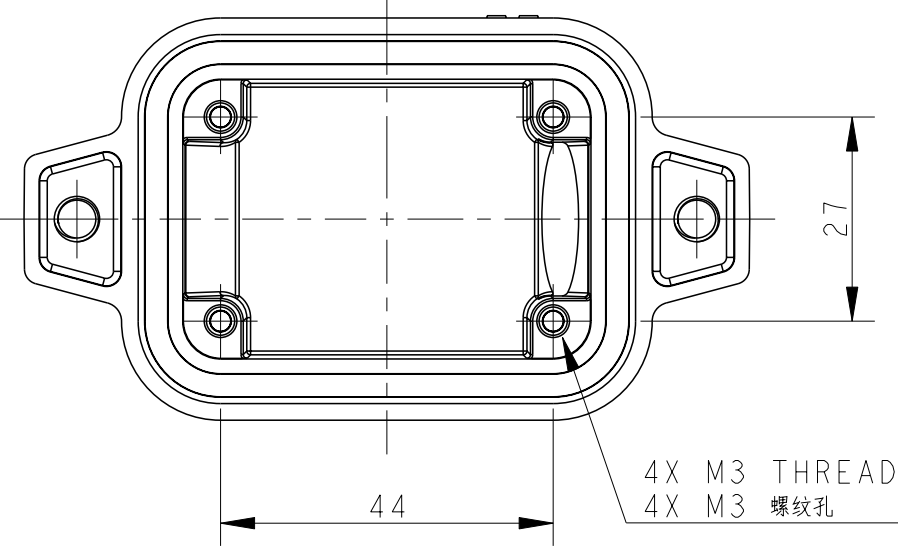
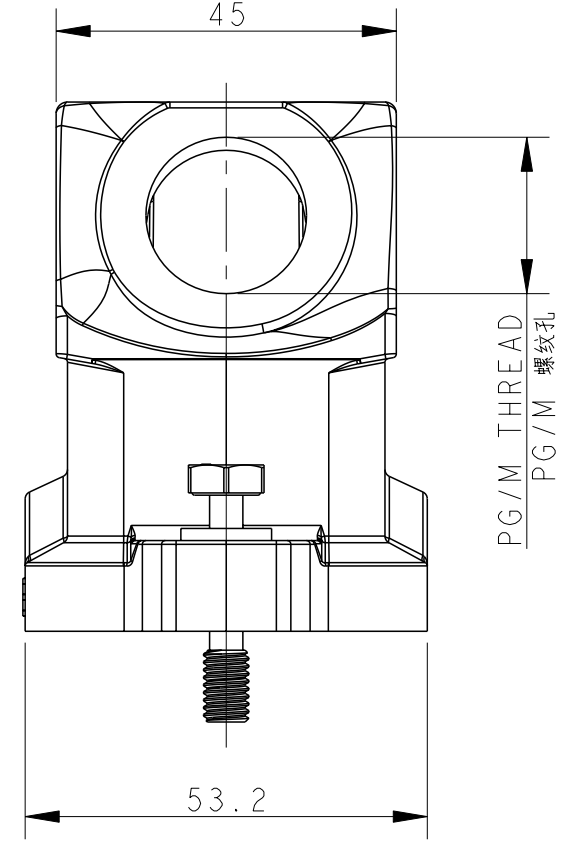
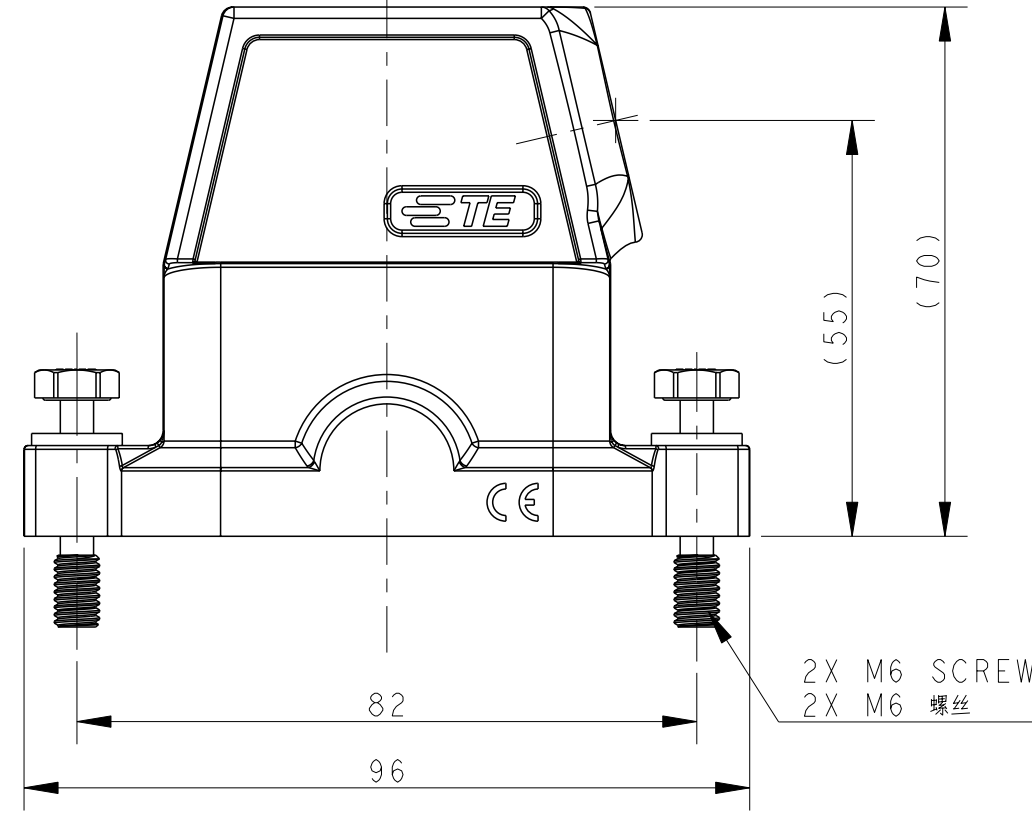


THIS DRAWING IS UNPUBLISHED. RELEASED FOR PUBLICATION 20
 © COPYRIGHT 20 BY - ALL RIGHTS RESERVED.

REVISIONS				
P	LTR	DESCRIPTION	DATE	APVD
A		INITIAL RELEASE	18OCT2016	DW CW
B		ECR-20-016312	03JUN2021	BS CW



NOTES:
 1. TECHNICAL CHARACTERISTICS:
 HOOD MATERIAL: DIE CAST ALUMINIUM ALLOY
 SURFACE: SEE TABLE
 DEGREE OF PROTECTION: IP68 (MATED)

注释
 1. 技术参数:
 壳体材料: 铝合金
 表面处理: 见表格
 防护等级: IP68 (配合)

PART NUMBER 料号	DESCRIPTION 描述	PG/M THREAD PG/M 螺纹
T1912062125-009	H6BPR-TSHC-M25-EMC-C H6BPR中部锁定侧出上壳M25 灰色	M25
T1912062121-009	H6BPR-TSHC-PG21-EMC-C H6BPR中部锁定侧出上壳PG21 灰色	PG21
T1912062120-009	H6BPR-TSHC-M20-EMC-C H6BPR中部锁定侧出上壳M20 灰色	M20
T1912062116-009	H6BPR-TSHC-PG16-EMC-C H6BPR中部锁定侧出上壳PG16 灰色	PG16
T1912061125-009	H6BPR-TSHC-M25-EMC-C H6BPR中部锁定侧出上壳M25 银白色	M25
T1912061121-009	H6BPR-TSHC-PG21-EMC-C H6BPR中部锁定侧出上壳PG21 银白色	PG21
T1912061120-009	H6BPR-TSHC-M20-EMC-C H6BPR中部锁定侧出上壳M20 银白色	M20
T1912061116-009	H6BPR-TSHC-PG16-EMC-C H6BPR中部锁定侧出上壳PG16 银白色	PG16
T1912060125-009	H6BPR-TSHC-M25-EMC-C H6BPR中部锁定侧出上壳M25 黑色	M25
T1912060121-009	H6BPR-TSHC-PG21-EMC-C H6BPR中部锁定侧出上壳PG21 黑色	PG21
T1912060120-009	H6BPR-TSHC-M20-EMC-C H6BPR中部锁定侧出上壳M20 黑色	M20
T1912060116-009	H6BPR-TSHC-PG16-EMC-C H6BPR中部锁定侧出上壳PG16 黑色	PG16

THIS DRAWING IS A CONTROLLED DOCUMENT. DWN DAVID WANG 18OCT2016
 CHK CHRIS WANG 18OCT2016
 APVD XIANG XU 18OCT2016

STE TE Connectivity

NAME: H6BPR-TSHC-PG/M-EMC-C

PRODUCT SPEC: 108-137191
 APPLICATION SPEC: 114-137191

SIZE: A2 CAGE CODE: - DRAWING NO: C-T191206XXXX009 RESTRICTED TO: -
 WEIGHT: - SCALE: 1:1 SHEET: 1 OF 1 REV: B

Customer Drawing

Printed on 7 Jun 2021 15:31 (China Standard Time) from IE236667