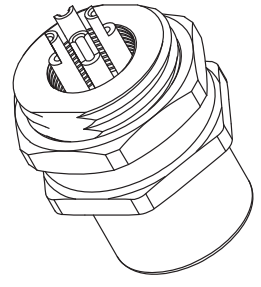
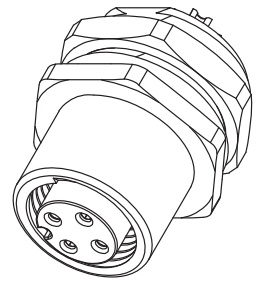
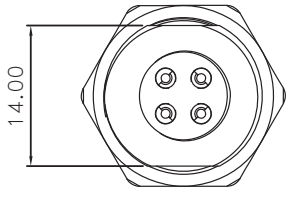
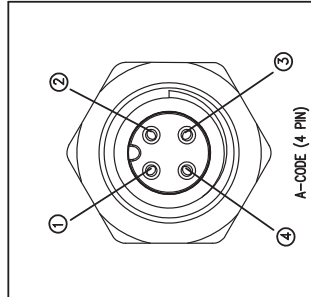
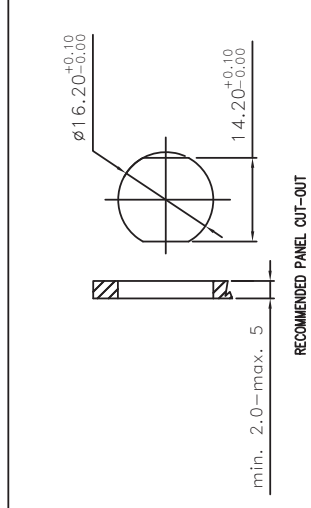
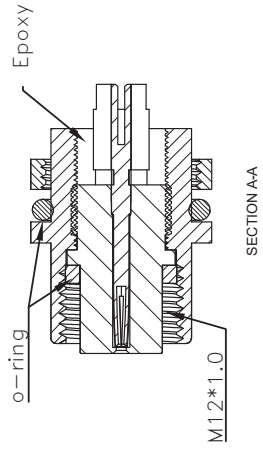
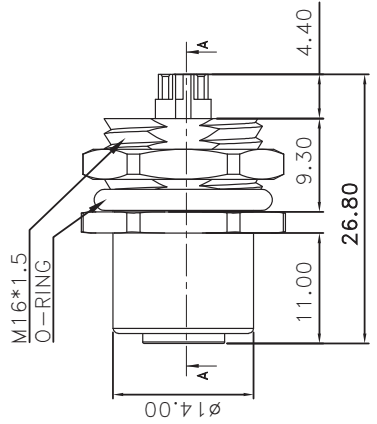
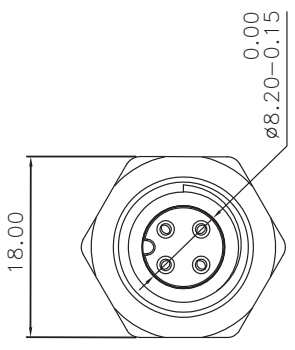


12	11	10	9	8	7	6	5	4	3	2	1



- NOTES:**
- CONNECTOR MATERIALS:
HOUSING: THERMOPLASTIC UL94 V-0
CONTACTS/SHEILD: COPPER ALLOY
O-RING MATERIAL: SILICONE UL94 V-0
EPOXY POTTING COMPOUND IN REAR CAVITY
SHIELD PLATING: NICKEL
CONTACT PLATING: SELECTIVE GOLD (1 μIN) OR EQUIVALENT IN THE CONTACT AREA
 - FOR PRODUCT SPECIFICATIONS SEE PRO39-01
 - DIMENSIONS AND TOLERANCES COMPLY WITH IEC 61076-2-101 STANDARD.
 - THE SUGGESTED PANEL OPENING IS INTENDED TO GIVE USER THE ABILITY TO HAVE REASONABLE JACK/PANEL CLEARANCES
 - CODING: A-STANDARD
 - SOLDER CUP CONTACTS ACCOMMODATE 22 AWG WIRE
 - CURRENT RATING: 4 AMPS MAX
 - INSULATION RESISTANCE: 100 MOHMS MIN @ 500 VDC
 - DEGREE OF PROTECTION: IP67
 - TEMPERATURE RANGE: -20°C TO +85°C
 - MATING CYCLES: 100 INSERTIONS

4	SS-12000-005
NUMBER OF CONTACTS	PART NUMBER

THIRD ANGLE PROJECTION

DO NOT SCALE DRAWING

FOR DIMENSIONS AND TOLERANCES SEE PRO39-01

STEWART
1118 Steeles Ave. East
Scarborough, ON M1V 5P8
(416) 291-2321
<http://www.stewartconnector.com>

Part: Front Panel Mount Receptacle, M12 A-Code, Female

DATE	REV	BY	CHKD
08/27/18	01	AD	AD
09/19/18	02	AD	AD
09/19/18	03	AD	AD
09/19/18	04	AD	AD
09/19/18	05	AD	AD
09/19/18	06	AD	AD
09/19/18	07	AD	AD
09/19/18	08	AD	AD
09/19/18	09	AD	AD
09/19/18	10	AD	AD
09/19/18	11	AD	AD



Number of Items

12	11	10	9	8	7	6	5	4	3	2	1
----	----	----	---	---	---	---	---	---	---	---	---