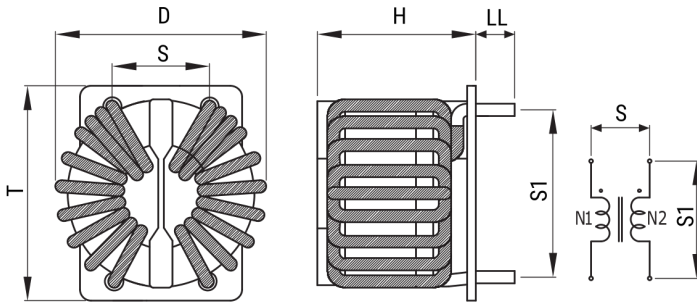


SC-17-E27JH

Aliases (UALSC17E27JH00)

KEMET, SC-JH, AC Line Filters, Common Mode, 2.75 mH



Click [here](#) for the 3D model.

Dimensions

D	44mm MAX
T	41mm MAX
H	32mm MAX
LL	5mm +/-1mm
S	17mm NOM
S1	30mm NOM
Wire Size	1.6mm

Packaging Specifications

Packaging	Tray
Packaging Quantity	100
Component Weight	83.1 g

General Information

Series	SC-JH
Style	Through-Hole
RoHS	Yes
Notes	Lead Spacing (S/S1) Are For Reference Only.
Miscellaneous	Temperature Rise Maximum: 110 K.
Core	Mn-Zn Ferrite

Specifications

Voltage AC	250 VAC
Inductance	2.75 mH (100 kHz)
Current	17 A
Temperature Range	-25/+120°C
DC Resistance	14 mOhms