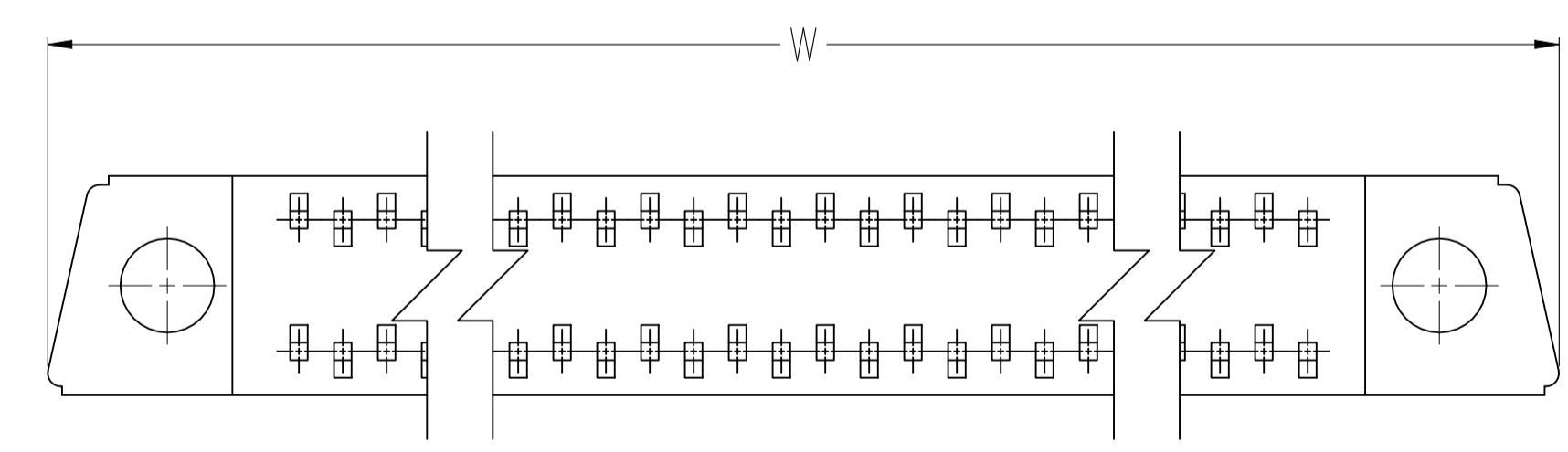
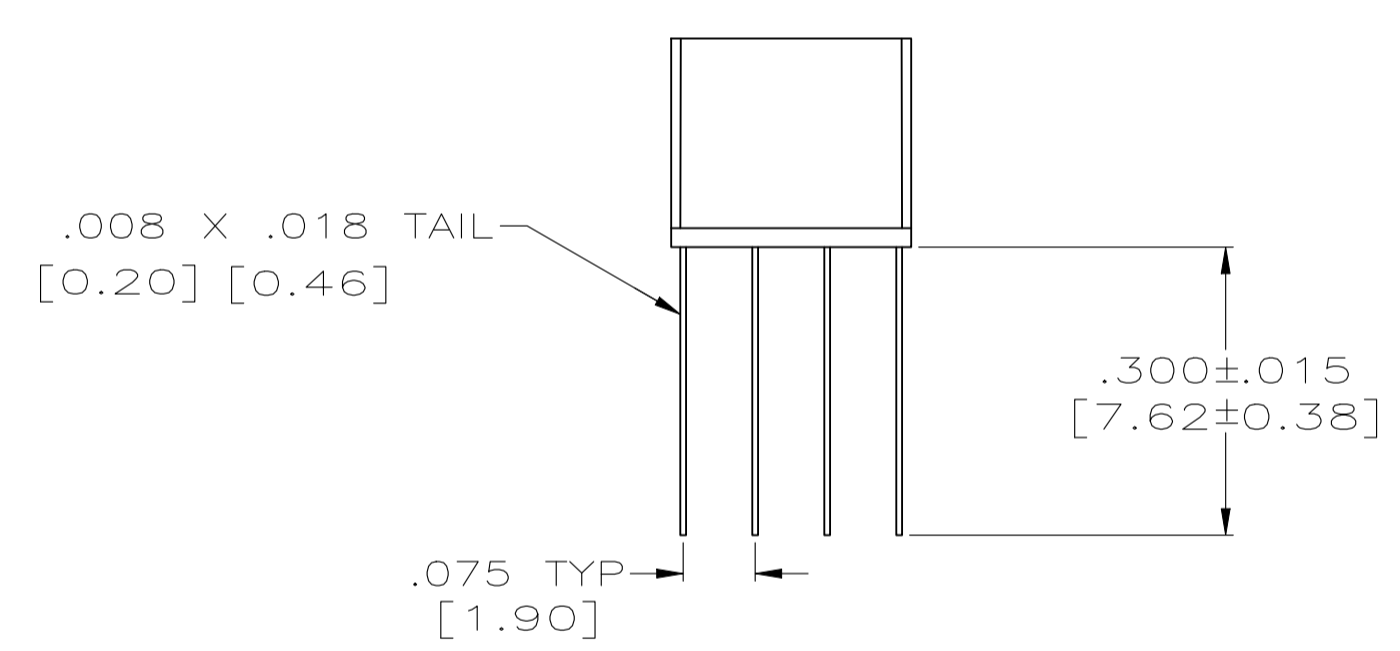
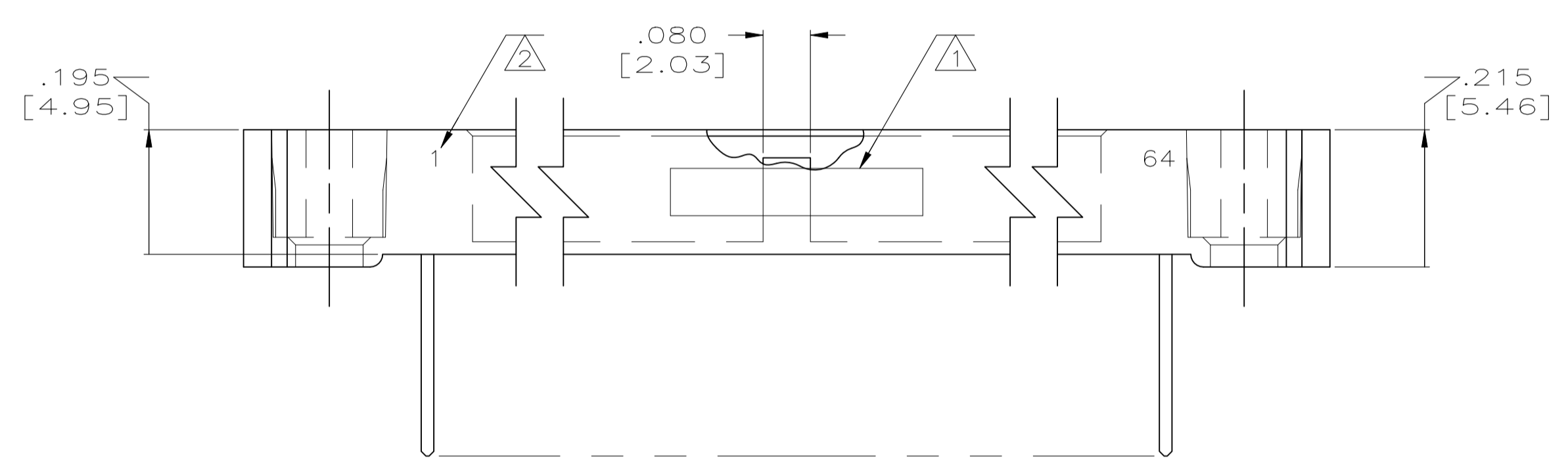
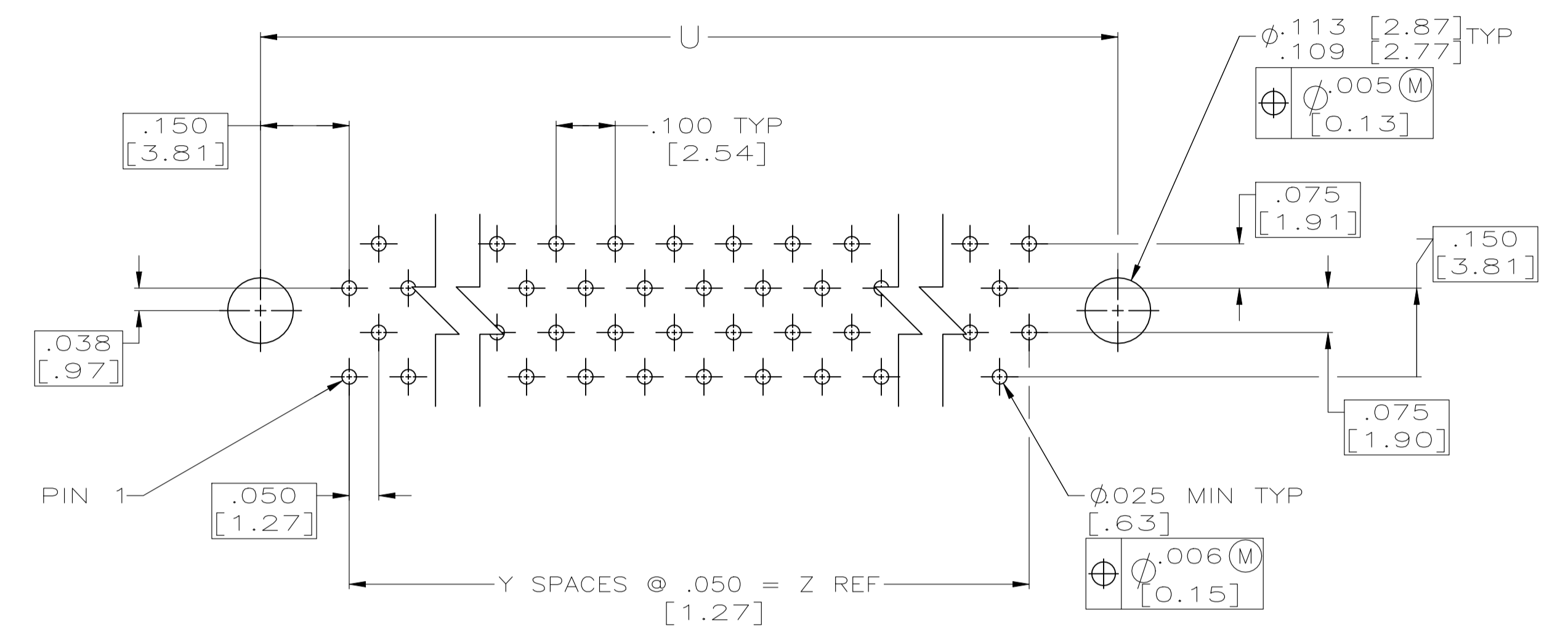
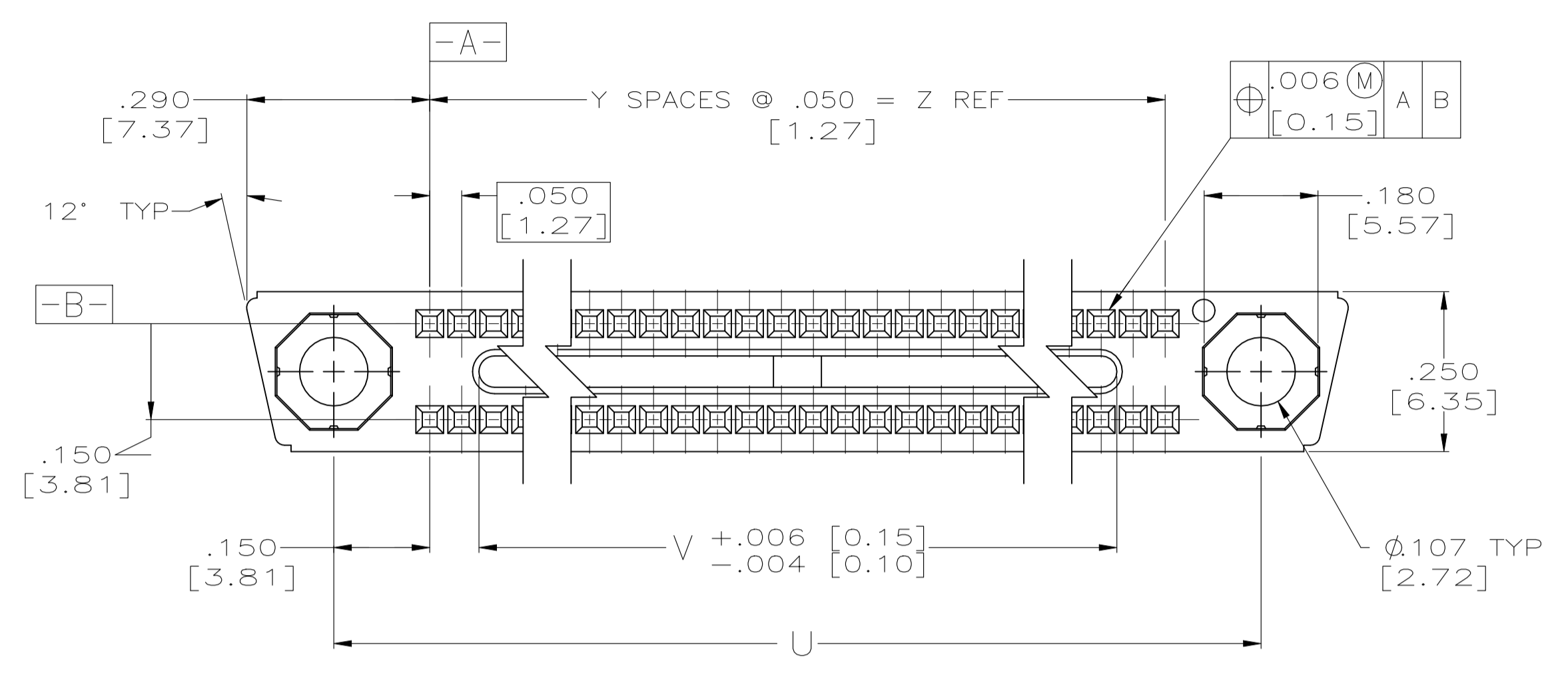


| REVISIONS | | | | | |
|-----------|-----|---------------------------|-----------|-----|------|
| P | LTR | DESCRIPTION | DATE | DWN | APVD |
| J | | REVISED PER ECO-20-017084 | 09FEB2021 | LN | CT |



- △ AMP, PART NUMBER, CUSTOMER PART NUMBER & DATE CODE MARKED THIS APPROXIMATE AREA.
- △ NUMBERS INDICATING END POSITIONS MARKED THIS SIDE ONLY.
- 3. MEETS ALL APPLICABLE REQUIREMENTS OF MIL-C-55302.
- △ .000050 GOLD OVER NICKEL UNDERPLATE IN CONTACT AREA, TIN-LEAD OVER NICKEL ON CONTACT TAILS.
- △ HOUSING MATERIAL: LIQUID CRYSTAL POLYMER PER MIL-M-24519, GLCP-30F; COLOR: GRAY.
- 6. PART NUMBERS 530746-2 TO 530746-6 ARE OBSOLETE.
- △ CONTACT FINISH FOR -1 ONLY: 50 MICROINCHES MIN GOLD MINIMUM IN CONTACT MATING AREA
100 MICROINCHES MIN TIN-LEAD ON CONTACT TAILS
OVER 30 MICROINCHES MIN NICKEL ENTIRE CONTACT.

| | | | | | | | | |
|--|-----------------------|--|----|-----------------------|---------------|--------------------------------------|--------------------|-------------|
| △ | 1 - 64 | 3.150 [80.01] | 63 | 3.740 [95.00] | 3.000 [76.20] | 3.450 [87.63] | 128 | 530746-1 |
| HOUSING MATERIAL | CONTACT IDENT NUMBERS | Z | Y | W | V | U | NUMBER OF CONTACTS | PART NUMBER |
| THIS DRAWING IS A CONTROLLED DOCUMENT. | | DIN T. ALEXANDER 11-20-91 | | STE TE Connectivity | | RECEPTACLE HOUSING ASSEMBLY MINI-BOX | | |
| DIMENSIONS: INCHES | | TOLERANCES UNLESS OTHERWISE SPECIFIED: | | APVD D. GUTTER 1-3-92 | | NAME | | |
| 0. PLC ± - | | 1. PLC ± - | | PRODUCT SPEC | | APPLICATION SPEC | | |
| 2. PLC ± - | | 3. PLC ± .005 [0.13] | | WEIGHT | | SIZE CASE CODE DRAWING NO | | |
| 3. PLC ± - | | 4. PLC ± - | | A1 00779 | | RESTRICTED TO | | |
| 4. PLC ± - | | ANGLES ± 0.30° | | CUSTOMER DRAWING | | SCALE 5:1 SHEET 1 of 1 REV J | | |