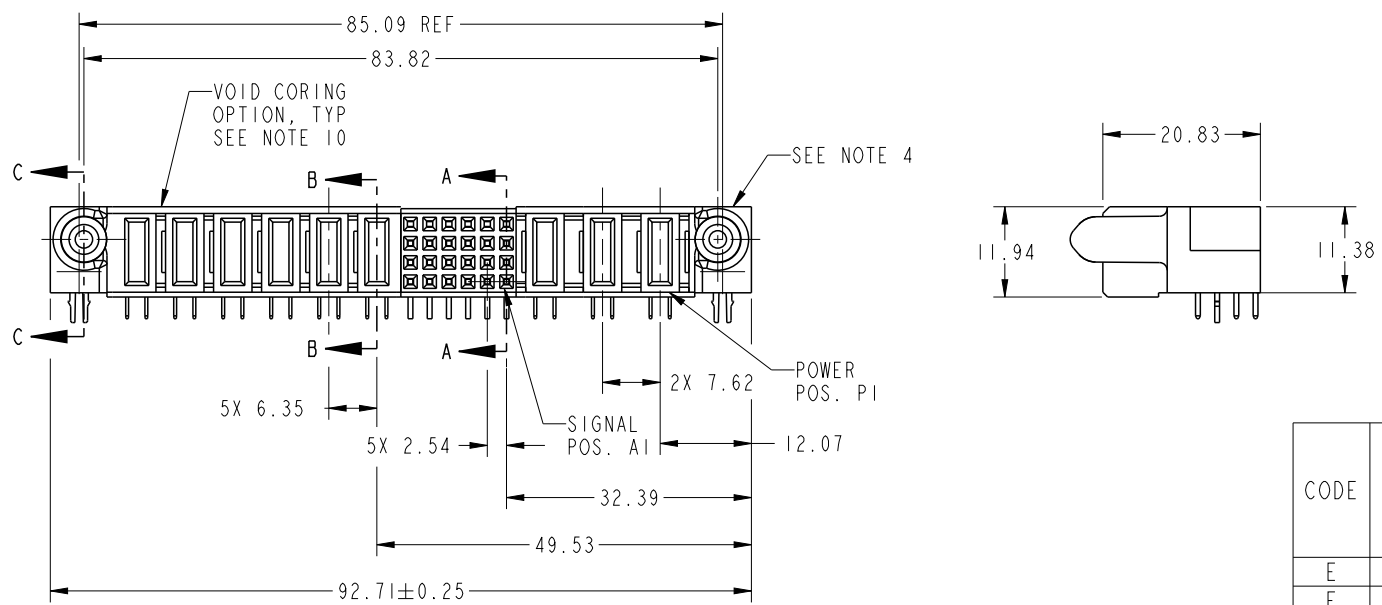


PRODUCT No.	ROWS	POWER						SIGNAL					E1				
		E2	P9	P8	P7	P6	P5	P4	6	5	4	3		2	1	P3	P2
51810-004 -- NOTE: 3	D		PC	PC	PC	PC	PC	PC	H	H	H	H	H	PA	PC	PC	
	G								G	G	G	G					
	F								F	F	F	F					
	E								E	E	E	E					



CODE	DIM "M" MATING LENGTH	CONTACT TYPE
E	N/A [N/A]	SIGNAL
F	N/A [N/A]	SIGNAL
G	N/A [N/A]	SIGNAL
H	N/A [N/A]	SIGNAL
PA	0.042 [1.07]	POWER
PC	0.092 [2.34]	POWER
HA	N/A [N/A]	HOLD-DOWN



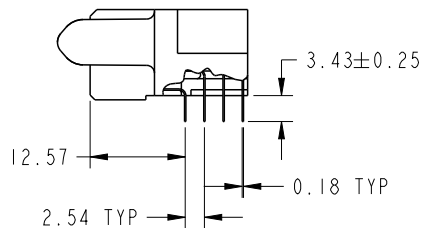
Copyright FCI.

spec ref		dr Helen Zhang		2010/11/16		projection		size		scale	
tolerance std		eng Luo Weller		2013/02/21				A4		1:1	
SEE NOTES		chr -		-		← MM →		ecn no		ELX-DG-14072-1	
TOLERANCES UNLESS OTHERWISE SPECIFIED		appr Pei-Ming Zheng		2013/02/21		product family		PwrBlade		rel level	
surface ✓		linear		0.X ±0.50				title		rev	
SEE NOTES		angular		0° ±2°							
		www.fci.com		cat. no.		-		Product - Customer Drw		sheet 1 of 3	
				3ACP+24S+6P Δ		dwg no		51810-004		D	
				RIGHT ANGLE SOLDER RECEPTACLE							

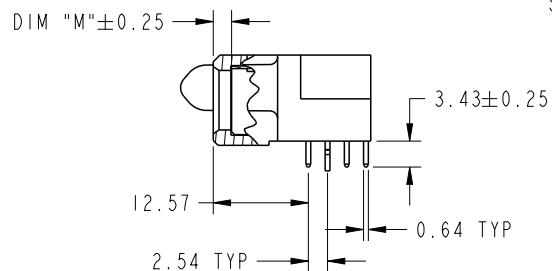
Prod File - REV C - 2009-06-09

PRODUCT NUMBER

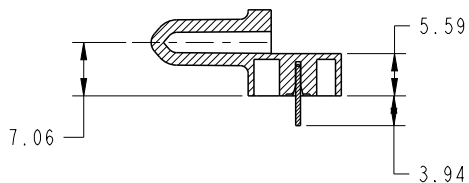
51810-004 --
NOTE 3



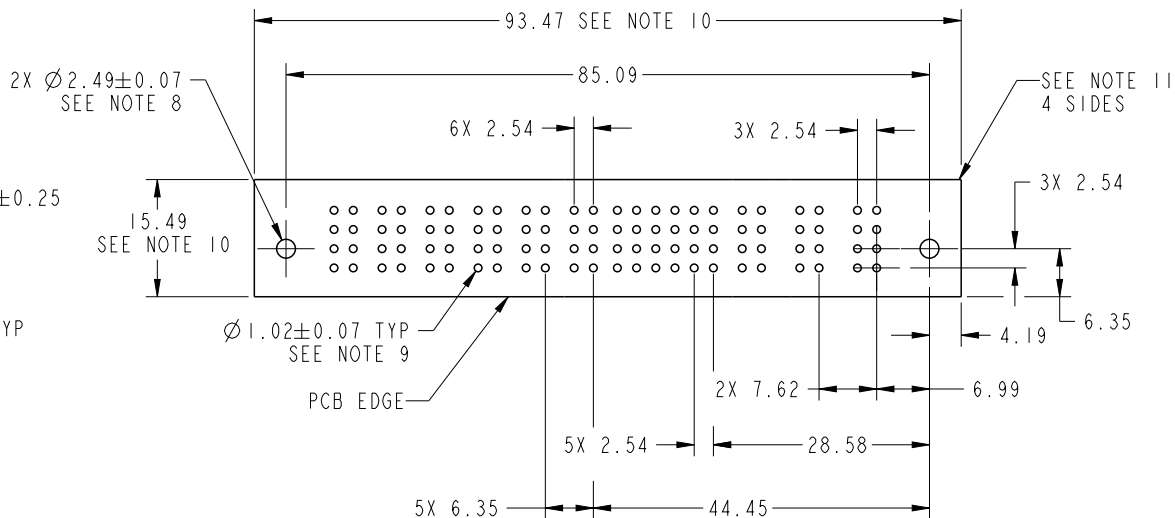
SECTION A-A



SECTION B-B



SECTION C-C



dr	Helen Zhang	2010/11/16	projection 	MM ←→	size	A4	scale	1:1			
eng	Luo Weller	2013/02/21			ecn no	ELX-DG-14072-1					
chr	-	-			product family	PwrBlade		rel level	Released		
appr	Pei-Ming Zheng	2013/02/21	www.fci.com		title	3ACP+24S+6P Δ RIGHT ANGLE SOLDER RECEPTACLE		dwg no	51810-004	rev	D
			cat. no.	-	Product - Customer Drw			sheet 2 of 3			



Copyright FCI.

PRODUCT NUMBER

51810-004 --
NOTE:3

NOTES:

1. DIMENSIONS AND TOLERANCES ARE IN ACCORDANCE WITH ASME Y14.5M, 1994 UNLESS OTHERWISE SPECIFIED.
- CONNECTOR NOTES:
2. HOUSING MATERIAL: UL 94 V-0 GLASS FILLED HIGH-TEMP THERMOPLASTIC
POWER CONTACT MATERIAL: COPPER ALLOY
SIGNAL PIN MATERIAL: COPPER ALLOY
 3. SEE ITEM 5 & 6 IN PRINT 10064183 FOR PLATING SPEC OF 51810-004 AND 51810-004LF RESPECTIVELY.
 4. MANUFACTURER'S NAME, DATE CODE AND OPTIONAL P/N TO APPEAR ON THIS SURFACE. THE MARK CAN BE OMITTED IF THERE IS NOT ENOUGH SPACE ON THIS SURFACE.
 5. PRODUCT SPECIFICATION GS-12-149.
APPLICATION SPECIFICATION BUS-20-067.
 6. PACKAGED IN TRAYS.
- PCB NOTES:
7. ALL HOLE DIAMETERS ARE FINISHED HOLE SIZE.
 8. MOUNTING HOLES, WHERE APPLICABLE, ARE UNPLATED.
 9. $\varnothing 1.151 \pm 0.025$ DRILLED HOLES PLATED WITH 0.008 MIN SnPb OR Sn OVER 0.03 TO 0.08 Cu PLATING TO ACHIEVE $\varnothing 1.02 \pm 0.07$ HOLE.
 10. CONNECTOR KEEP_OUT_ZONE.
 11. THE VOID CORING IN BETWEEN POWER MODULES, SIGNAL MODULES AND END MODULES ARE OPTIONAL AND THE SHAPE MAY BE DIFFERENT FOR OPTIMIZE THE MOLDING PROCESS. THE VOID CORING WILL NOT EFFECT TO PRODUCT FUNCTION.
 12. A \triangle SYMBOL WILL BE NEXT TO ANY DIMENSION, VIEW, OR NOTE WHICH HAS BEEN MODIFIED WITH THE CURRENT DRAWING REVISION.



Copyright FCI.

dr	Helen Zhang	2010/11/16	projection 	MM 	size	A4	scale	1:1			
eng	Luo Weller	2013/02/21			ecn no	ELX-DG-14072-1					
chr	-	-			product family	PwrBlade	rel level	Released			
appr	Pei-Ming Zheng	2013/02/21			title	3ACP+24S+6P \triangle		dwg no	51810-004	rev	D
www.fci.com		cat. no.	-			Product - Customer Drw		sheet 3 of 3			