

DAUGHTERCARD HOLE PATTERN (CONNECTOR SIDE)

- NOTES:**
1. MATERIALS: HOUSING - LCP (LIQUID CRYSTAL POLYMER), GLASS FILLED, UL94V-0. TERMINALS - HIGH PERFORMANCE COPPER ALLOY.
 2. FINISH: 30 MICROINCHES MINIMUM GOLD IN CONTACT AREA; SELECTIVE MATTE TIN ON PCB TAILS; NICKEL UNDERPLATE OVERALL.
 3. REFER TO MOLEX PRODUCT SPECIFICATION PS-170540-999 FOR PERFORMANCE SPECIFICATIONS AND ADDITIONAL PCB INFORMATION.
 4. EACH SIGNAL WAFER CONTAINS 2 COLUMNS OF TERMINALS.
 5. PRODUCT IS PACKAGED PER PK-70873-589.
 6. THIS PART CONFORMS TO CLASS B REQUIREMENTS OF COSMETIC SPECIFICATION PS-45499-002.
 7. REFER TO MOLEX SALES DRAWING SD-170535-0001 AND RSD-170532-**** FOR THE MATING HEADERS.
 8. REFER TO MOLEX PCB ROUTING GUIDE AS-76060-990 FOR ANTIPAD AND ROUTING RECOMMENDATIONS.
 9. GROUND PATHS ARE NOT DISCRETE CIRCUITS WITHIN CONNECTOR DUE TO PRESENCE OF PLUS CLIP.
 10. PART NUMBER 170540-1020 SHOWN ON DRAWING. KEYING FEATURES WILL CHANGE WITH COLUMN SIZE.
 11. MINIMUM BOARD THICKNESS IS 1.00mm FOR COMPLIANT PIN FUNCTIONALITY.
 12. MARKING: LOCATED APPROXIMATELY AS SHOWN, PART NUMBER AND DATE CODE.

SYMBOLS										THIS DRAWING CONTAINS INFORMATION THAT IS PROPRIETARY TO MOLEX ELECTRONIC TECHNOLOGIES, LLC AND SHOULD NOT BE USED WITHOUT WRITTEN PERMISSION									
= 0		mm		SCALE		3:1		CURRENT REV		DESC: ADD 14 COL OPTIONS		<p>IMPACT 6 PAIR PLUS 85OHM DAUGHTERCARD SIGNAL UNGUIDED SALES DRAWING</p> <p>PRODUCT CUSTOMER DRAWING</p>							
= 0		GENERAL TOLERANCES (UNLESS SPECIFIED)		ANGULAR TOL		± 0.5°		EC NO: 603057		DRWN: DMORGAN 2018/04/09									
= 0		4 PLACES		±		INITIAL REVISION:		DRWN: KBENES 2012/08/17		APPR: TELO 2012/08/23		DOCUMENT NUMBER		DOC TYPE		DOC PART		REVISION	
= 0		3 PLACES		±		DRAWING		C-SIZE		SERIES		SD-170540-0001		PSD		001		D	
= 0		2 PLACES		± 0.13		THIRD ANGLE PROJECTION		DRAWING		SERIES		MATERIAL NUMBER		CUSTOMER		SHEET NUMBER		1 OF 2	
= 0		1 PLACE		± 0.25		DRAFT WHERE APPLICABLE MUST REMAIN WITHIN DIMENSIONS		C-SIZE		170540		SEE TABLE		GENERAL MARKET		1 OF 2			
= 0		0 PLACES		±															

MATERIAL NUMBER	NUMBER OF COLUMNS	NUMBER OF DIFF PAIR	DIMNEISON A MAXIMUM	DIMENSION B	PTH Ø
1705401008	8	48	15.20	13.30	0.46±0.05
1705401010	10	60	19.00	17.10	
1705401014	14	84	26.60	24.70	
1705401016	16	96	30.40	28.50	
1705401038	8	48	15.20	13.30	0.39±0.05
1705401020	10	60	19.00	17.10	
1705401024	14	84	26.60	24.70	
1705401026	16	96	30.40	28.50	

170540- 1 0 * *

MODULE & TAIL PLATING TYPE
1 = UNGUIDED, LEAD-FREE

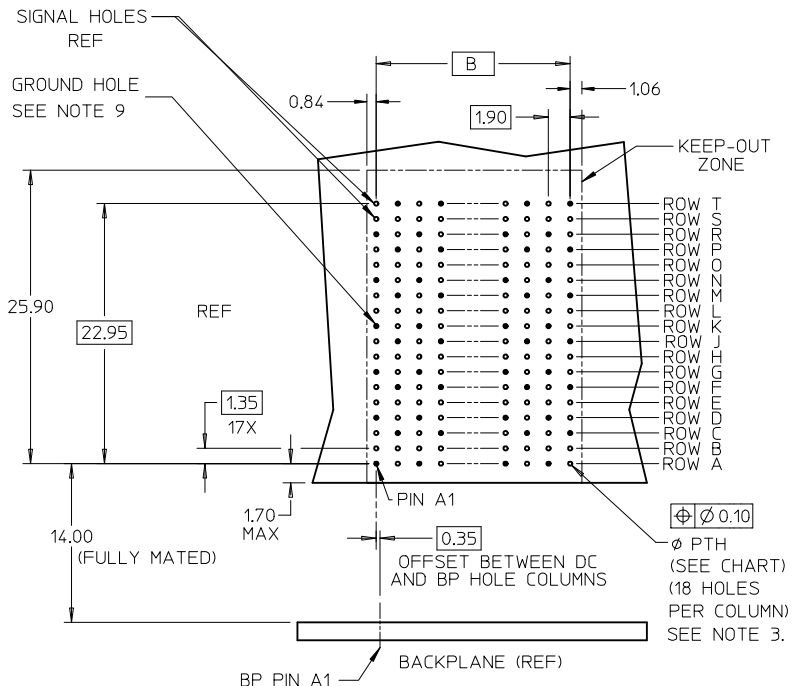
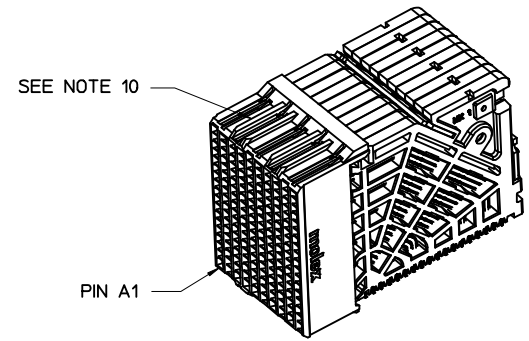
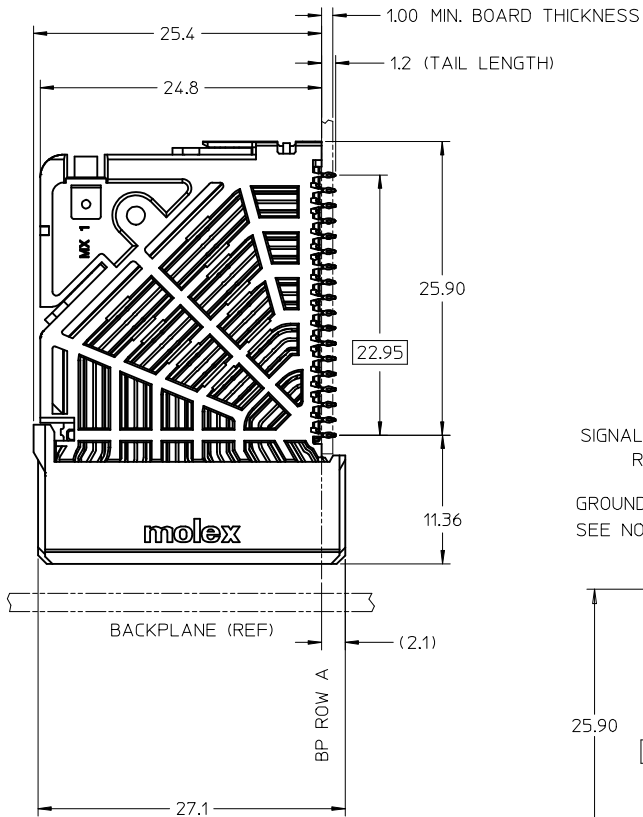
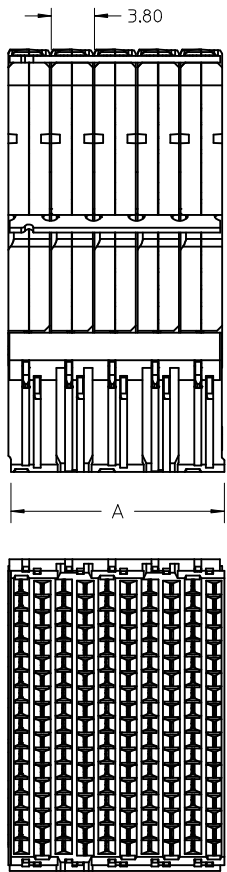
NUMBER OF COLUMNS

08 = 8 COLUMN 0.46 PTH
10 = 10 COLUMN 0.46 PTH
14 = 14 COLUMN 0.46 PTH
16 = 16 COLUMN 0.46 PTH

38 = 8 COLUMN 0.39 PTH
20 = 10 COLUMN 0.39 PTH
24 = 14 COLUMN 0.39 PTH
26 = 16 COLUMN 0.39 PTH

SYMBOLS										THIS DRAWING CONTAINS INFORMATION THAT IS PROPRIETARY TO MOLEX ELECTRONIC TECHNOLOGIES, LLC AND SHOULD NOT BE USED WITHOUT WRITTEN PERMISSION									
DIMENSION UNITS					SCALE					CURRENT REV DESC: ADD 14 COL OPTIONS									
mm					1:1					molex IMPACT 6 PAIR PLUS 85OHM DAUGHTERCARD SIGNAL UNGUIDED SALES DRAWING PRODUCT CUSTOMER DRAWING									
GENERAL TOLERANCES (UNLESS SPECIFIED)																			
ANGULAR TOL ± 0.5°					INITIAL REVISION:					DOCUMENT NUMBER					DOC TYPE DOC PART REVISION				
4 PLACES ±					DRWN: KBENES 2012/08/17					SD-170540-0001					PSD 001 D				
3 PLACES ±					APPR: TELO 2012/08/23					MATERIAL NUMBER					CUSTOMER				
2 PLACES ± 0.13					DRAFT WHERE APPLICABLE MUST REMAIN WITHIN DIMENSIONS					THIRD ANGLE PROJECTION					SHEET NUMBER				
1 PLACE ± 0.25					C-SIZE					170540					SEE TABLE GENERAL MARKET 2 OF 2				
0 PLACES ±					DRAFT WHERE APPLICABLE MUST REMAIN WITHIN DIMENSIONS					C-SIZE					170540				

DOCUMENT STATUS	P1	RELEASE DATE	2018/08/28	17:05:04
-----------------	----	--------------	------------	----------



DAUGHTERCARD HOLE PATTERN (CONNECTOR SIDE)

- NOTES:
1. MATERIALS: HOUSING - LIQUID CRYSTAL POLYMER (LCP), GLASS-FILLED, UL94V-0
TERMINALS - HIGH PERFORMANCE COPPER ALLOY
 2. FINISH: 10μN MIN GOLD IN CONTACT AREA, SELECTIVE TIN
ON PCB TAILS, NICKEL OVERALL.
 3. REFER TO MOLEX PRODUCT SPEC PS-170540-999 FOR PERFORMANCE SPECIFICATIONS
AND ADDITIONAL PCB INFORMATION.
 4. EACH SIGNAL WAFER CONTAINS 2 COLUMNS OF TERMINALS.
 5. PRODUCT IS PACKAGED PER PK-70873-589.
 6. THIS PART CONFORMS TO CLASS B REQUIREMENTS OF COSMETIC SPEC PS-45499-002.
 7. REFER TO MOLEX SALES DRAWING SD-170535-0001 AND RSD-170532-XXXX FOR THE
MATING HEADERS.
 8. REFER TO MOLEX PCB ROUTING GUIDE AS-76060-990 FOR ANTIPAD AND ROUTING
RECOMMENDATIONS.
 9. GROUND PATHS ARE NOT DISCRETE CIRCUITS WITHIN CONNECTOR DUE TO
PRESENCE OF PLUS CLIP.
 10. PART NUMBER 170540-1020 SHOWN ON DRAWING. KEYING FEATURES WILL CHANGE
WITH COLUMN SIZE.
 11. MINIMUM BOARD THICKNESS IS 1.00MM FOR COMPLIANT PIN FUNCTIONALITY.

INITIAL CREATION MAPS PLATING EC NO: UCP2015-3240 DRW:MKRAUSE 2015/02/09 CHKD: TELO APPR:TELO 2015/03/02	QUALITY SYMBOLS 	GENERAL TOLERANCES (UNLESS SPECIFIED) <table border="1"> <tr> <th></th> <th>mm</th> <th>INCH</th> </tr> <tr> <td>4 PLACES</td> <td>± 0.13</td> <td>± 0.005</td> </tr> <tr> <td>3 PLACES</td> <td>± 0.25</td> <td>± 0.010</td> </tr> <tr> <td>2 PLACES</td> <td>± 0.38</td> <td>± 0.015</td> </tr> <tr> <td>1 PLACE</td> <td>± 0.51</td> <td>± 0.020</td> </tr> <tr> <td>0 PLACE</td> <td>± 0.64</td> <td>± 0.025</td> </tr> </table>		mm	INCH	4 PLACES	± 0.13	± 0.005	3 PLACES	± 0.25	± 0.010	2 PLACES	± 0.38	± 0.015	1 PLACE	± 0.51	± 0.020	0 PLACE	± 0.64	± 0.025	DIMENSION STYLE MM ONLY DRAWN BY: MKRAUSE DATE: 2015/02/09 CHECKED BY: _____ DATE: _____ APPROVED BY: TELO DATE: 2015/03/02	SCALE: 3:1 DESIGN UNITS: METRIC THIRD ANGLE PROJECTION	TITLE: IMPACT 6 PAIR PLUS 850HM DAUGHTERCARD SIGNAL UNGUIDED SALES DWG MAPS 	MATERIAL NO.: SEE CHART DOCUMENT NO.: SD-173120-0001 SHEET NO.: 1 OF 2
		mm	INCH																					
	4 PLACES	± 0.13	± 0.005																					
	3 PLACES	± 0.25	± 0.010																					
2 PLACES	± 0.38	± 0.015																						
1 PLACE	± 0.51	± 0.020																						
0 PLACE	± 0.64	± 0.025																						
DRAFT WHERE APPLICABLE MUST REMAIN WITHIN DIMENSIONS		ANGULAR ±1/2°	SIZE: C	THIS DRAWING CONTAINS INFORMATION THAT IS PROPRIETARY TO MOLEX INCORPORATED AND SHOULD NOT BE USED WITHOUT WRITTEN PERMISSION																				
REV: A																								
DESCRIPTION: INITIAL CREATION MAPS PLATING																								

MATERIAL NUMBER	# OF COLUMNS	# OF DIFF PAIR	DIM "A" MAX	DIM "B"	PTH ϕ
173120-1008	8	48	15.20	13.30	0.46 ± 0.05
173120-1010	10	60	19.00	17.10	
173120-1016	16	96	30.40	28.50	
173120-1038	8	48	15.20	13.30	0.39 ± 0.05
173120-1020	10	60	19.00	17.10	
173120-1026	16	96	30.40	28.50	

173120-10**

MODULE & TAIL PLATING TYPE
1 = UNGUIDED, LEAD-FREE

OF COLUMNS
08 = 8 COL 0.46 PTH
10 = 10 COL 0.46 PTH
16 = 16 COL 0.46 PTH
20 = 10 COL 0.39 PTH
26 = 16 COL 0.39 PTH
38 = 08 COL 0.39 PTH

SEE SHEET 1 EC NO: UCP2015-3240 DRW: MKRAUSE 2015/02/09 CHKD: APPR: TELO 2015/03/02	QUALITY SYMBOLS	GENERAL TOLERANCES (UNLESS SPECIFIED)	DIMENSION STYLE MM ONLY	SCALE 3:1	DESIGN UNITS METRIC	THIRD ANGLE PROJECTION
		mm INCH	DRAWN BY DATE MKRAUSE 2015/02/09	TITLE IMPACT 6 PAIR PLUS 850HM DAUGHTERCARD SIGNAL UNGUIDED SALES DWG MAPS		
		4 PLACES \pm --- \pm ---	CHECKED BY DATE			
		3 PLACES \pm --- \pm ---	APPROVED BY DATE TELO 2015/03/02	DOCUMENT NO. SD-173120-0001		
	2 PLACES \pm 0.13 \pm ---	MATERIAL NO.				
	1 PLACE \pm 0.25 \pm ---	DRAFT WHERE APPLICABLE MUST REMAIN WITHIN DIMENSIONS	SIZE C	SHEET NO. 2 OF 2		
	0 PLACE \pm \pm		THIS DRAWING CONTAINS INFORMATION THAT IS PROPRIETARY TO MOLEX INCORPORATED AND SHOULD NOT BE USED WITHOUT WRITTEN PERMISSION			