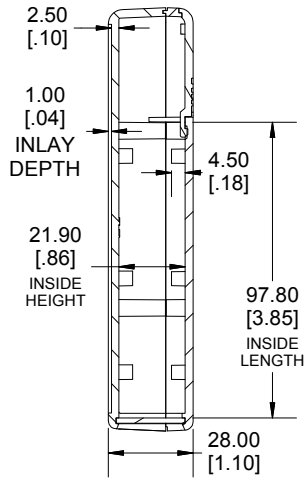
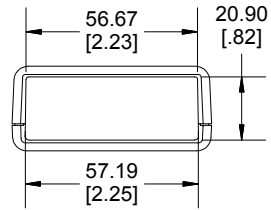
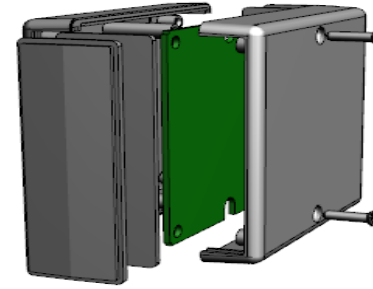


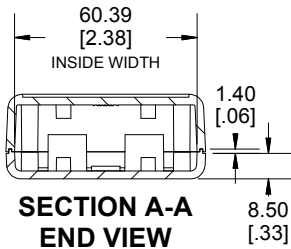
**TOP VIEW**



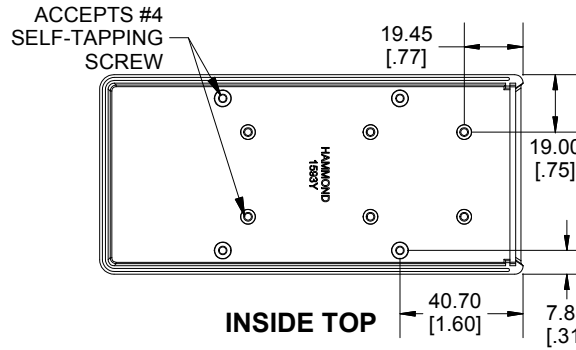
**SECTION B-B  
SIDE VIEW**



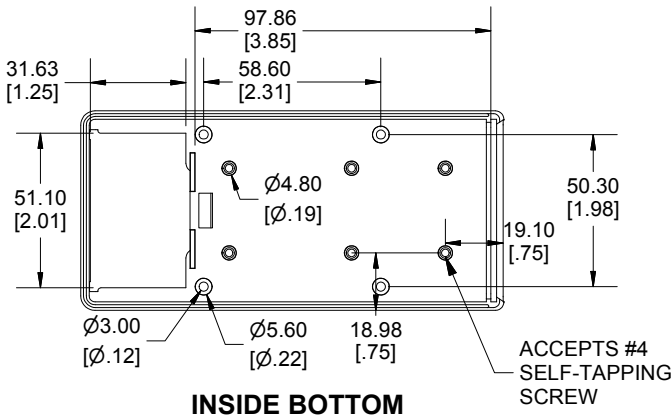
**END VIEW**



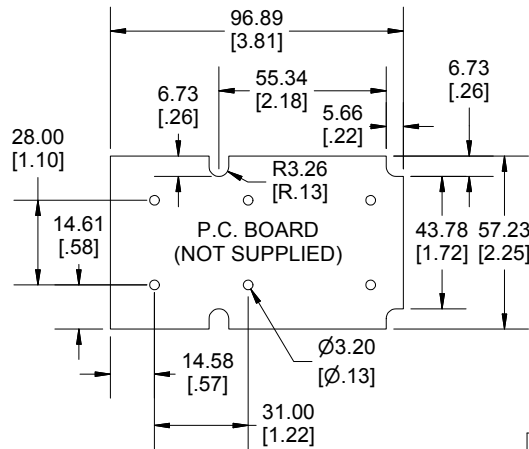
**SECTION A-A  
END VIEW**



**INSIDE TOP**



**INSIDE BOTTOM**



**P.C. BOARD  
(NOT SUPPLIED)**

Enclosures can be Factory Modified ( Milling, Drilling, Printing etc.)  
 Contact Factory [mjm@hammondmfg.com](mailto:mjm@hammondmfg.com) for quotes  
 Solid models of this enclosure available in STEP or IGES.  
 (Part number and text placement/orientation on our products are subject to change,  
 we do not recommend using them as a locating reference for modification purposes)

<b>NOTE</b>	
Enclosure molded from GP ABS (UL94-HB) plastic.	
Purchased assembly includes top and bottom cover, 1 plastic flat panel for front, battery door and 4 cover screws.	
<b>Recommended Cover Screw Torque - 57lbf-in ( 40cN-m)</b>	

<b>1593</b>		
<b>1593Y Regular Enclosure</b>		
Black Enclosure	1593YBK	
Grey Enclosure	1593YGY	
Translucent Blue Enclosure	1593YTBU	
<b>ACCESSORIES</b>		
Cover Screws #4 X 3/4" Self-Tapping (100 Pkg)	1593QS100 (Silver)	
	1593QS100BK (Black)	
P.C. Board Screws #4 X 1/4" Self-Tapping	1593ATS50 (Pkg 50)	
	1593ATS100 (Pkg 100)	
Nylon Belt Clip	1599CLIP (Black)	
	1599CLIPGY (Grey)	
1-AAA Battery Holder (Single)	BH1AAAW	
2-AAA Battery Holder (Single)	BH2AAAW	
2-AA Battery Holder (Single)	BH2AAW	
1-9V Battery Holder (Single)	BS61	
1593Y STD FLAT PANEL (SINGLE PANEL)	Black	1593PLBK-BULK
	Grey	1593PLGY-BULK
	Translucent Blue	1593PLTBU-BULK
	Infrared	1593PIR10
1593Y STD CONTOURED PANEL (SINGLE PANEL)	Black	1593KLBK-BULK
	Grey	1593KCLGY-BULK
	Translucent Blue	1593KCLTBU-BULK

**HAMMOND  
MANUFACTURING**

**1593Y**

[www.hammondmfg.com](http://www.hammondmfg.com)

**Dimensions:**  
 mm  
 [inches]