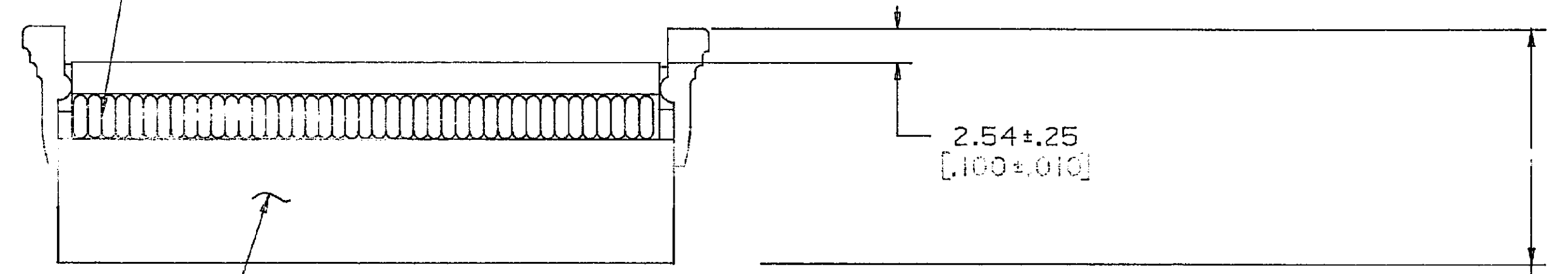


REV	REVISION RECORD	DATE	DWN	APVD
A	REVISED PER ECN-0513-0331-05	27-Sep-06	JDP	CWR
A1	ECR-21-119918	5-Nov-21	E.Z	N.S
B	ECR-22-145893	14-Feb-23	G.C	N.S

FEMALE SOCKET TRANSITION CONNECTOR WITHOUT STRAIN RELIEF (SERIES 609-XX00M, 609-XX30, 609-XX00CE AND 609-XX30CE)

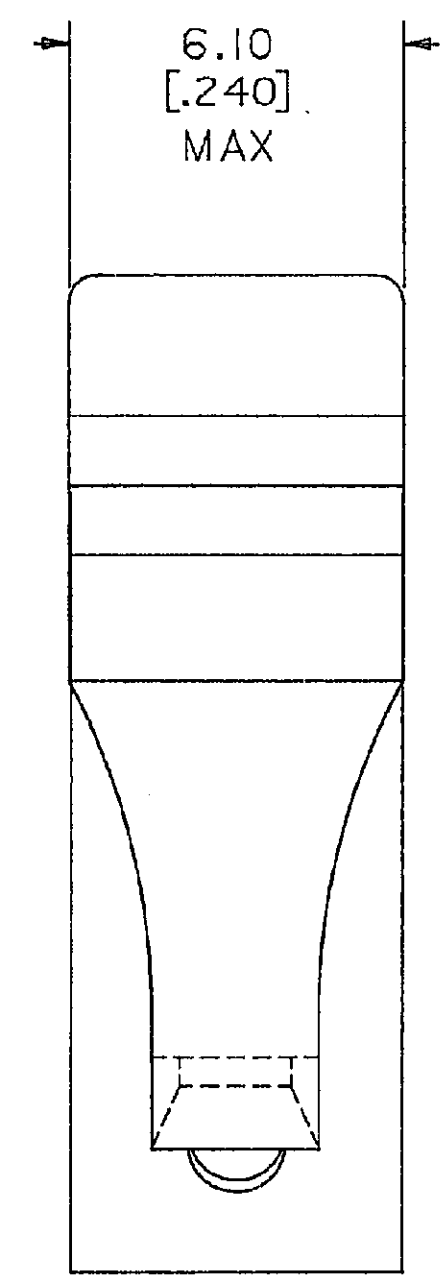
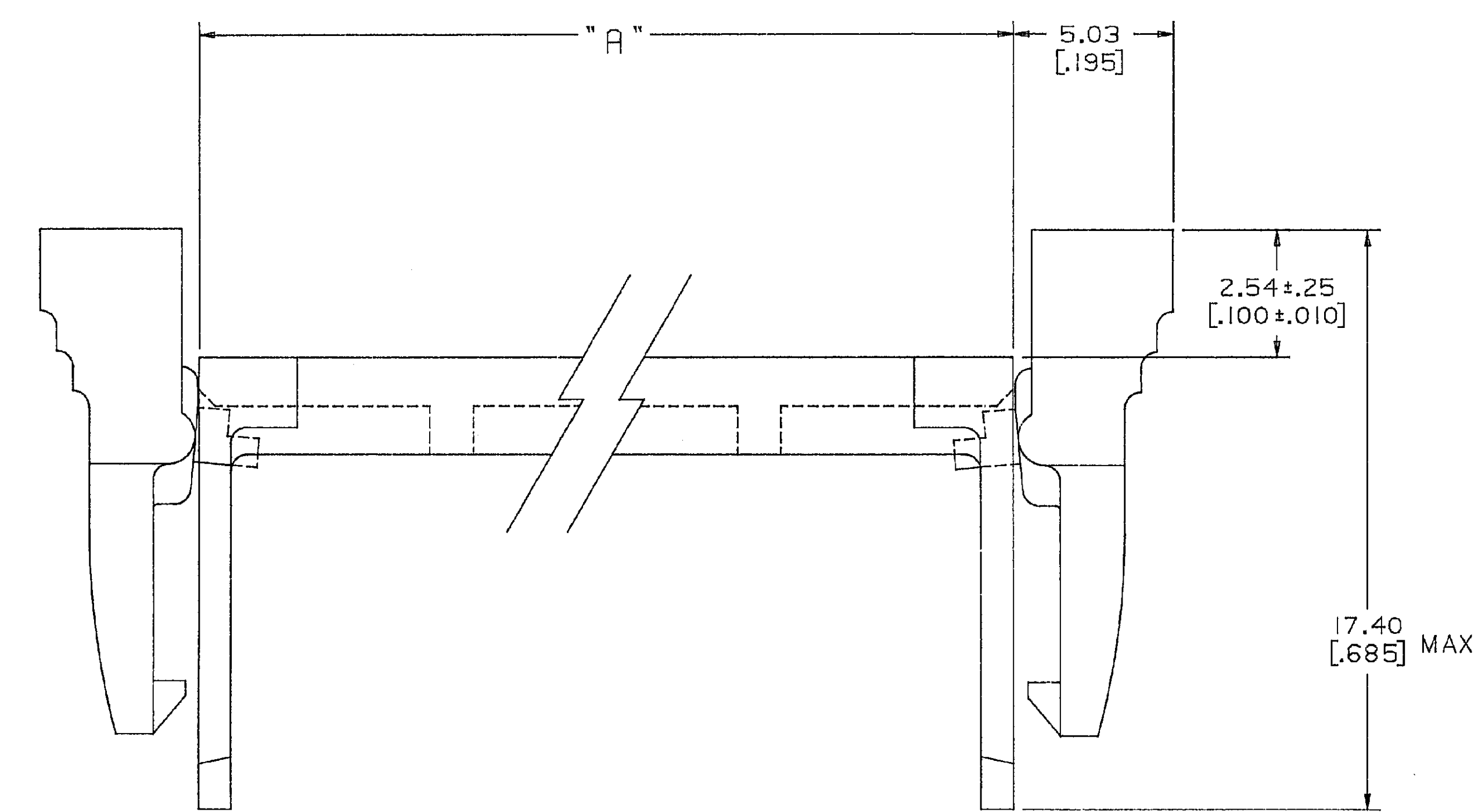


2.54±.25  
[.100±.010]

HEADER: 20.85 MAX.  
[.821]

LOW PROFILE HEADER (SERIES 609-XXX7, 609-XXX8)

TYPICAL MATING APPLICATION



3. supersede parts:

PN	supersede parts	
	strain relief QTY=1	RETAINER QTY=2
1437020-2	1364804-1	1364810-1
1437020-3	1364804-2	1364810-1
1437020-4	1364804-3	1364810-1
1437020-5	1364804-4	1364810-1
1437020-8	1364804-7	1364810-1

OBSOLETE	85.85[3.380]	64	609-0008-64	1-1437020-6
OBSOLETE	80.77[3.180]	60	609-0008-60	1-1437020-5
OBSOLETE	75.69[2.980]	56	609-0008-56	1-1437020-4
OBSOLETE	68.07[2.680]	50	609-0008-50	1-1437020-3
OBSOLETE	60.45[2.380]	44	609-0008-44	1-1437020-2
OBSOLETE	55.37[2.180]	40	609-0008-40	1-1437020-1
OBSOLETE	50.29[1.980]	36	609-0008-36	1-1437020-0
OBSOLETE	47.75[1.880]	34	609-0008-34	1437020-9
OBSOLETE	37.59[1.480]	26	609-0008-26	1437020-8
OBSOLETE	35.05[1.380]	24	609-0008-24	1437020-7
OBSOLETE	29.97[1.180]	20	609-0008-20	1437020-6
OBSOLETE	24.89[.980]	16	609-0008-16	1437020-5
OBSOLETE	22.35[.880]	14	609-0008-14	1437020-4
OBSOLETE	17.27[.680]	10	609-0008-10	1437020-3
OBSOLETE	12.19[.480]	6	609-0008-06	1437020-2

- MATERIAL: STRAIN RELIEF - 30% GLASS-FILLED POLYESTER.  
LATCHES - NYLON.  
COLOR: BLUE
- ASSEMBLE LATCHES TO STRAIN RELIEF AS SHOWN.

DESCRIPTION FEMALE SOCKET TRANSITION CONNECTOR RETAINER CLIP AND STRAIN RELIEF

REV: B DATE: 3-31-86 DWS. NO. 1437020-2