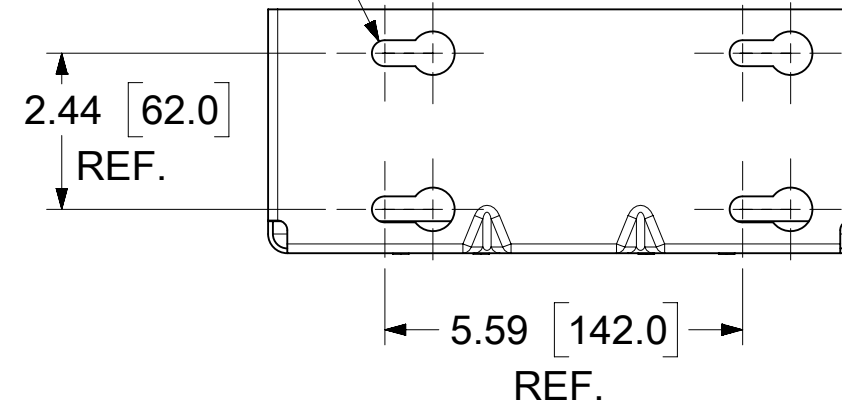


ORDER NO	130091-0210
WOODHEAD ENG. NO	997L
WIRE GAUGE	12
CONDUCTORS	3
AMPERAGE	15A
WORKING CORD	35 FT. BLACK
CORD TYPE	SJTOW
CONSTRUCTION	STEEL
PAINT	YELLOW POWDER COAT
REEL ENCLOSURE RATING	INDOOR
RETRACTION WEIGHT	3.0 LB [1.4 KG]

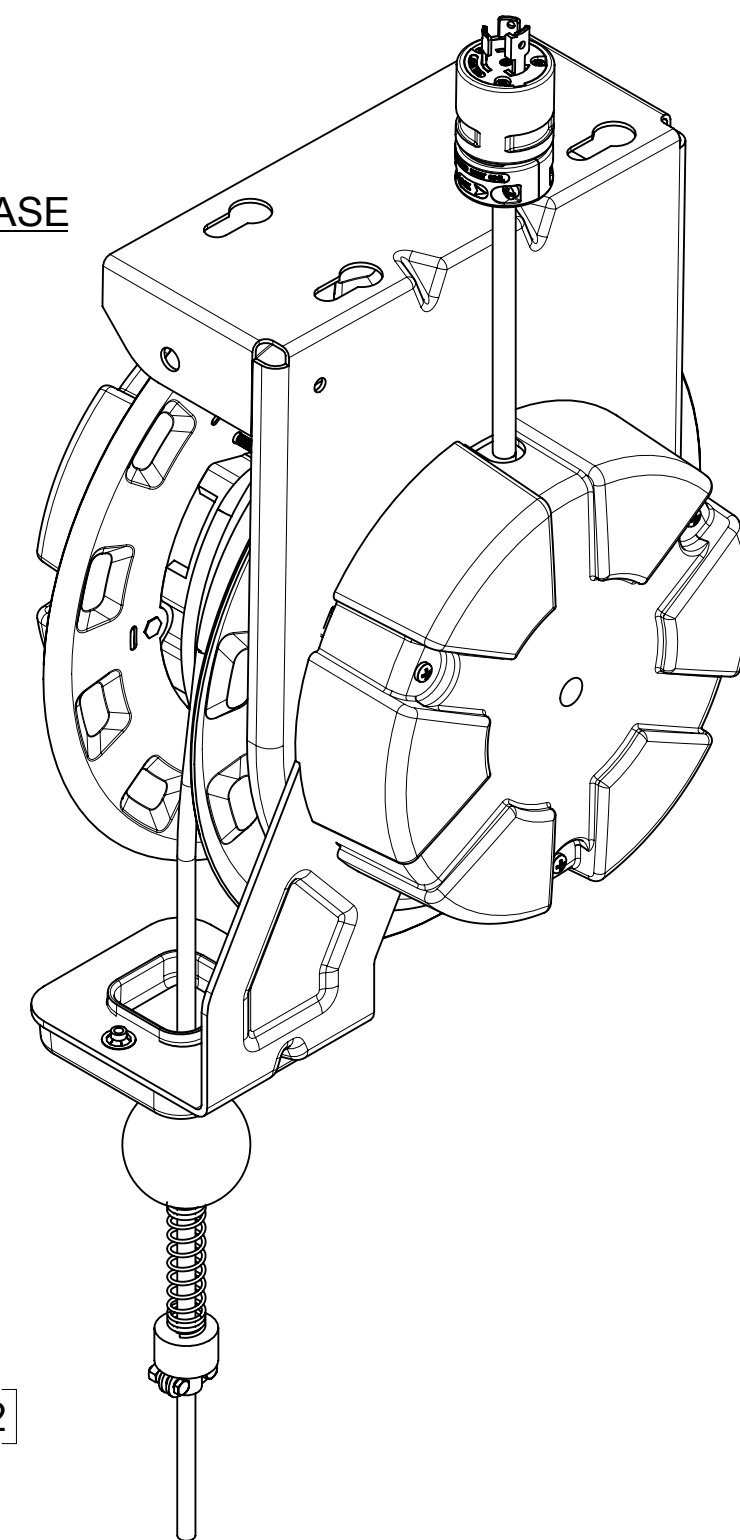
FACE VIEW OF LOCKING PLUG



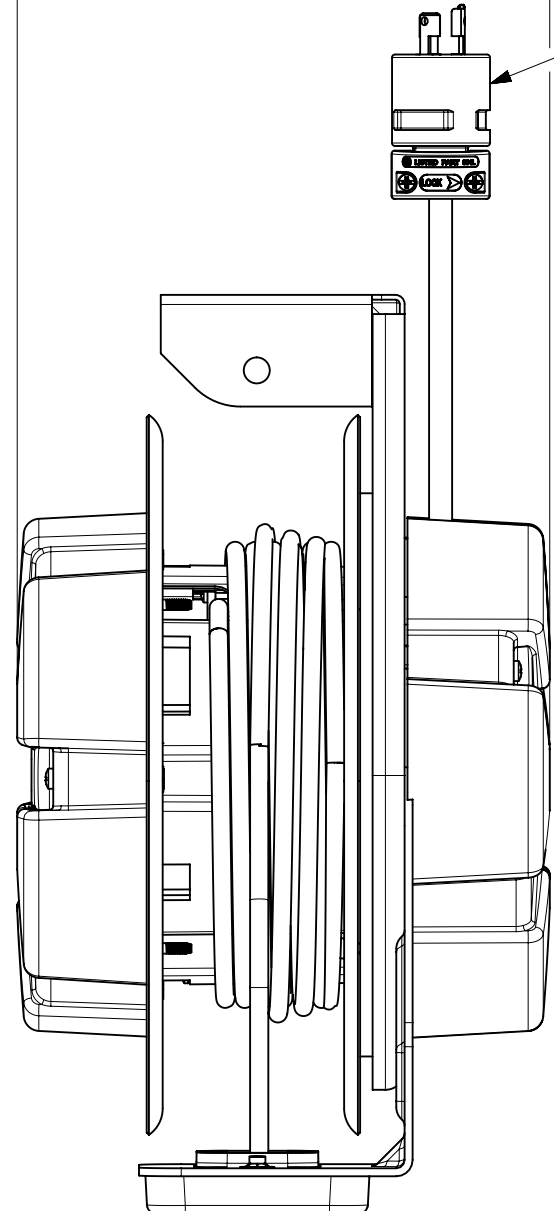
Ø.41 [10.3] REF.
(4-PLACES)



MOUNTING BASE



7.75 [197] REF.

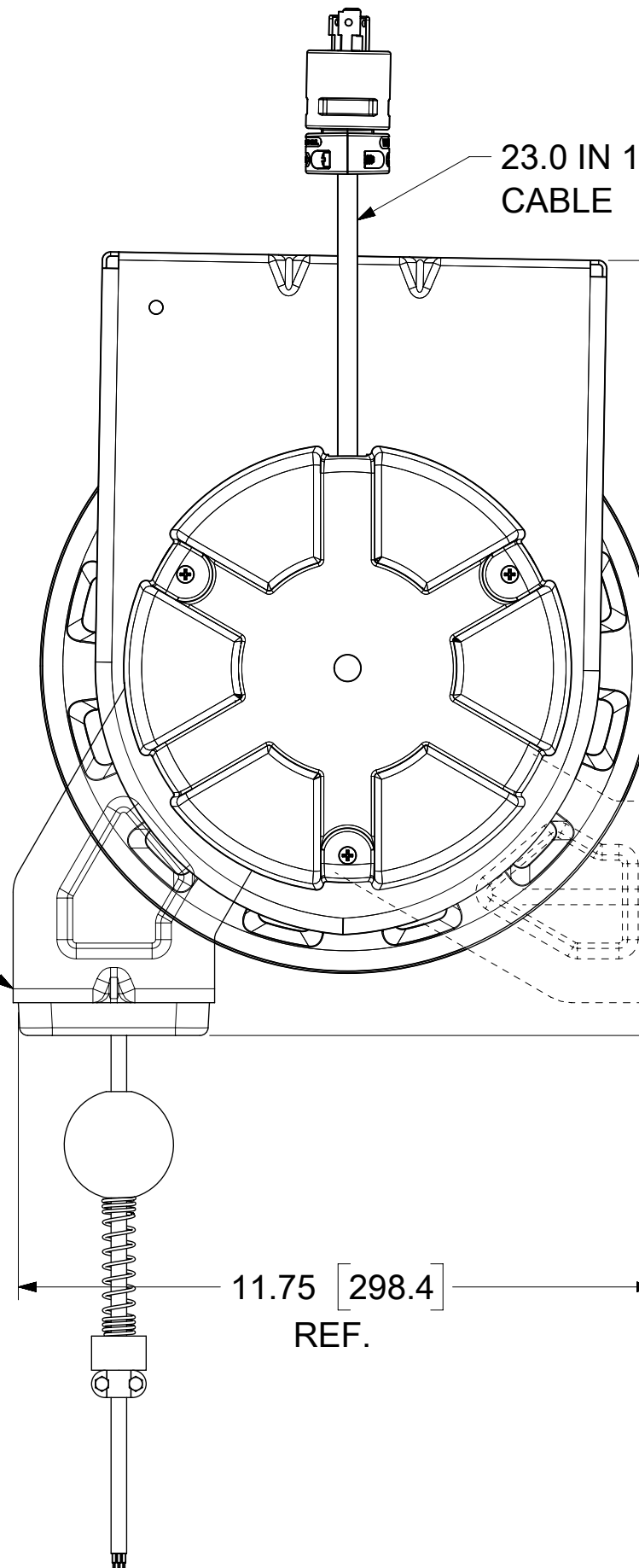


NEMA L5-15
LOCKING PLUG
COLOR: YELLOW

23.0 IN 12-3 SJTOW
CABLE

GUIDE ARM
CAN ROTATE 90°

14.25 [362] REF.



CABLE STOP

ADJUSTABLE
CLAMP

FLYING
LEADS

NOTES:

1. CABLE GUIDE IS ADJUSTABLE - DUAL POSITION
2. RATCHET LOCK IS EASY TO DISENGAGE FOR CONSTANT TENSION.
3. REEL CANNOT BE "LOCKED OUT" AT FULL TENSION.
4. CABLE STOP INCLUDED

FUNCTIONAL SYMBOLS	THIS DRAWING CONTAINS INFORMATION THAT IS PROPRIETARY TO MOLEX ELECTRONIC TECHNOLOGIES, LLC AND SHOULD NOT BE USED WITHOUT WRITTEN PERMISSION			
	DIMENSION UNITS	SCALE		CURRENT REV DESC: RELEASE CUSTOMER DRAWING
$\frac{F}{A} = 0$	INCH/MM	NTS		<p>EC NO: 670807 DRWN: DSOPPIN 2020/06/16 CHK'D: DSOPPIN 2022/06/08 APPR: HKNEELAND 2022/06/09</p> <p>INITIAL REVISION: DRWN: KCOX01 2015/07/30 APPR: JFMURPHY 2015/09/17</p>
$\frac{F}{E} = 0$	GENERAL TOLERANCES (UNLESS SPECIFIED)			
$\frac{F}{P} = 0$		MM	INCH	
DIVISIONAL SYMBOLS	4 PLACES	±	±	
	3 PLACES	±	± 0.005	
	2 PLACES	± 0.13	± 0.01	
	1 PLACE	± 0.25	± 0.02	
	0 PLACES	±	±	
	ANGULAR TOL	± 0.5°		
DRAFT WHERE APPLICABLE MUST REMAIN WITHIN DIMENSIONS		THIRD ANGLE PROJECTION	DRAWING C-SIZE	SERIES 130091
DOCUMENT STATUS	P1	RELEASE DATE	2022/06/09 15:55:53	<p>molex</p> <p>15A CORDREEL FLYING LEADS 35' #12-3 SJTOW NEMA L5-15 LOCKING PLUG</p> <p>PRODUCT CUSTOMER DRAWING</p> <p>DOCUMENT NUMBER: SD-130091-020 DOC TYPE: PSD DOC PART: 001 REVISION: A1</p> <p>MATERIAL NUMBER: SEE TABLE CUSTOMER: GENERAL MARKET SHEET NUMBER: 1 OF 1</p>