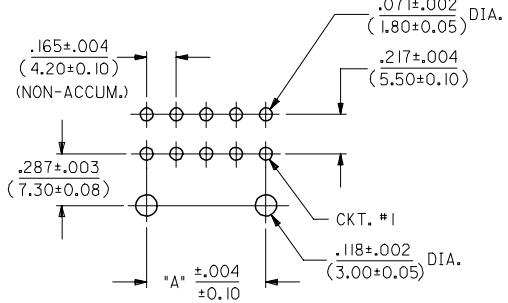
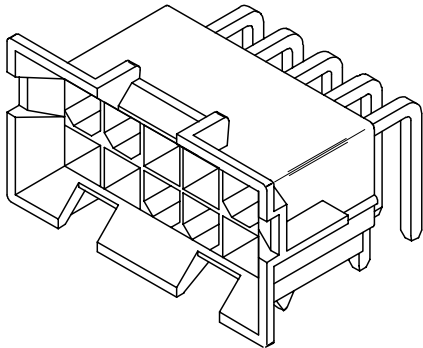
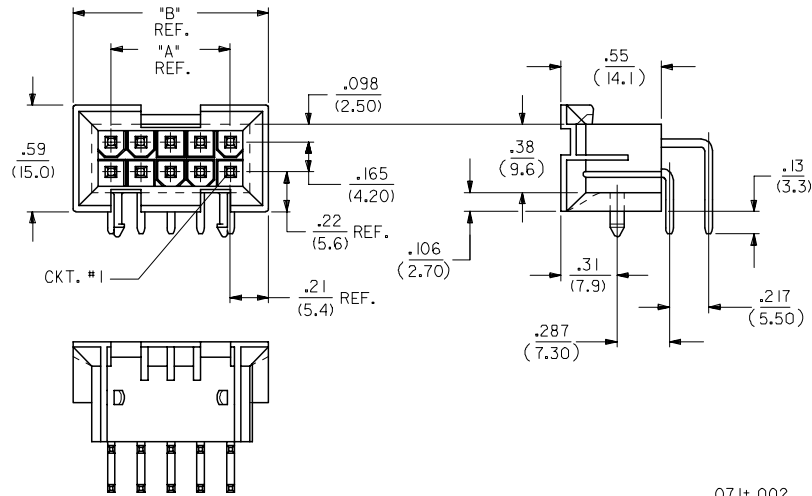
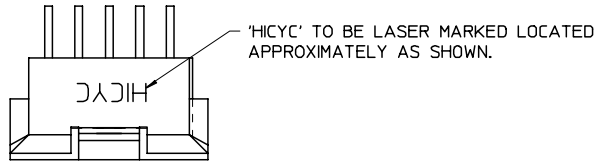


PART NUMBER	CIRCUIT SIZE	DIM. "A"	DIM. "B"
46100-0411	4	SEE SHEET 2	SEE SHEET 2
46100-0611	6	.331 (8.40)	.76 (19.2)
46100-1011	10	.661 (16.80)	1.09 (27.6)
46100-1411	14	.992 (25.20)	1.42 (36.0)
46100-1811	18	1.323 (33.60)	1.75 (44.4)
46100-2411	24	1.819 (46.20)	2.24 (57.0)

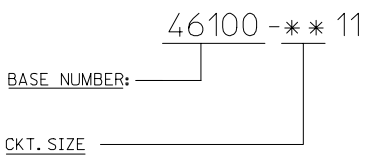


RECOMMENDED HOLE LAYOUT FOR .070/(1.78) MAX. THICK P.C. BOARD VIEWED FROM COMPONENT SIDE

NOTES:

- HOUSING MATERIAL: NYLON 6/6, U.L. 94V-0, COLOR: NATURAL
- TERMINAL MATERIAL: BRASS, ALLOY 260.
- PARTS MATE WITH MINI-FIT RECEPTACLES #44516, #46101 AND #42474.
- PART ALLOWS FOR UP TO .100/(2.54) MISALIGNMENT WITH MATING RECEPTACLE IN ANY DIRECTION. SEE MATING CONNECTOR DRAWINGS FOR SPECIFIC ALLOWANCES.
- TERMINAL PLATING: .000002/(.00005) MIN. GOLD OVER .000030/(.00076) MIN. PALLADIUM NICKEL IN THE CONTACT AREA. .000100/(.00254) MIN. TIN IN CRIMP AREA OVER .000050/(.00127) MIN. NICKEL OVERALL.
- PRODUCT SPECIFICATION AND PROCESSING PARAMETERS: SEE TBD
- CONNECTOR ASSEMBLIES ARE NOT TO BE MATED OR UNMATED WHILE CIRCUITS ARE LIVE.
- A MAXIMUM TOLERANCE OF .050/(1.27) ALLOWS FOR 2 POINTS OF ELECTRICAL CONTACT. A MAXIMUM TOLERANCE OF .020/(.51) ALLOWS FOR 4 POINTS OF CONTACT.
- DISCOLORATION IN THE BANDOLIER CARRIER AREA OF THE PIN IS INHERENT TO THE PLATING PROCESS AND IS DUE TO THE MASKING EFFECT OF THE CARRIER. THIS DISCOLORATION IS IN A NON-FUNCTIONAL AREA OF THE PIN AND WILL NOT AFFECT THE PERFORMANCE OF THE HEADER ASSEMBLY.

FINISHED PART LEGEND

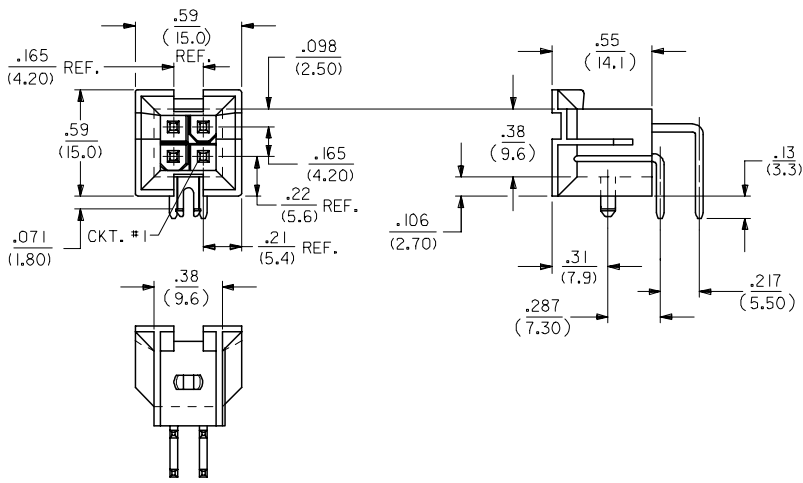


46100-***11

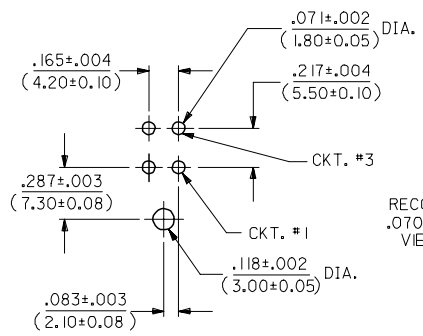
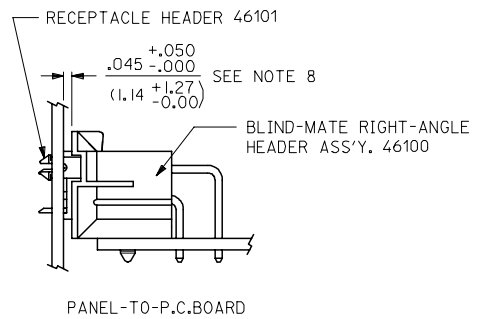
REVISED NOTE 3 EC NO: UCP2006-2876 DRAWING STEWART 2006/06/06 CHKD: TREGORI 2006/06/06 APPR: JCOMERC I 2006/06/07 A2	QUALITY SYMBOLS 	GENERAL TOLERANCES (UNLESS SPECIFIED)		DIMENSION STYLE IN/MM		SCALE	DESIGN UNITS METRIC	THIRD ANGLE PROJECTION		
		mm	INCH	DRAWN BY TREGORI	DATE 2006/01/17	TITLE	MINI-FIT RIGHT ANGLE BMI HEADER ASSEMBLY (HIGH CYCLE SERIES)			
		4 PLACES ±---	±---	CHECKED BY JCOMERC I	DATE	DOCUMENT NO.				
		3 PLACES ±---	±.01	APPROVED BY JCOMERC I	DATE	SHEET NO. 1 OF 2				
2 PLACES ±0.25	±.015	DRAFT WHERE APPLICABLE MUST REMAIN WITHIN DIMENSIONS		SEE CHART		THIS DRAWING CONTAINS INFORMATION THAT IS PROPRIETARY TO MOLEX INCORPORATED AND SHOULD NOT BE USED WITHOUT WRITTEN PERMISSION				
1 PLACE ±0.38	±---									

13 12 11 10 9 8 7 6 5 4 3 2 1

J
I
H
G
F
E
D
C
B
A



46100-0411



RECOMMENDED HOLE LAYOUT FOR
.070 (1.78) MAX. THICK P.C. BOARD
VIEWED FROM COMPONENT SIDE

SEE SHEET ONE P.C. NO. UICP2006-2876 DRAWING STEWART 2006/06/06 CHKD: TGREGORI 2006/06/06 APPR: JCOMERC I 2006/06/07	QUALITY SYMBOLS ▽=0 ▽=0	GENERAL TOLERANCES (UNLESS SPECIFIED)		DIMENSION STYLE IN/MM	SCALE 1:1	DESIGN UNITS METRIC	THIRD ANGLE PROJECTION		
		4 PLACES ± --- ± ---	3 PLACES ± --- ± .01	2 PLACES ± 0.25 ± .015	1 PLACE ± 0.38 ± ---	DRAWN BY TGREGORI	DATE 2006/01/17	TITLE MINI-FIT RIGHT ANGLE BMI HEADER ASSEMBLY (HIGH CYCLE SERIES)	
		ANGULAR ±1/2°				CHECKED BY JCOMERC I	DATE	MOLEX INCORPORATED	
		DRAFT WHERE APPLICABLE MUST REMAIN WITHIN DIMENSIONS				APPROVED BY JCOMERC I	DATE	MATERIAL NO. SEE SHEET 1	DOCUMENT NO. SD-46100-001
A2	REV	THIS DRAWING CONTAINS INFORMATION THAT IS PROPRIETARY TO MOLEX INCORPORATED AND SHOULD NOT BE USED WITHOUT WRITTEN PERMISSION		SIZE C	SHEET NO. 2 OF 2				

12 11 10 9 8 7 6 5 4 3 2 1