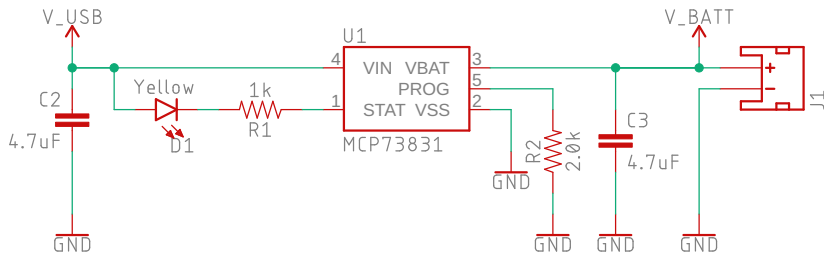
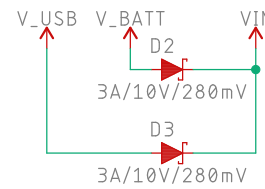


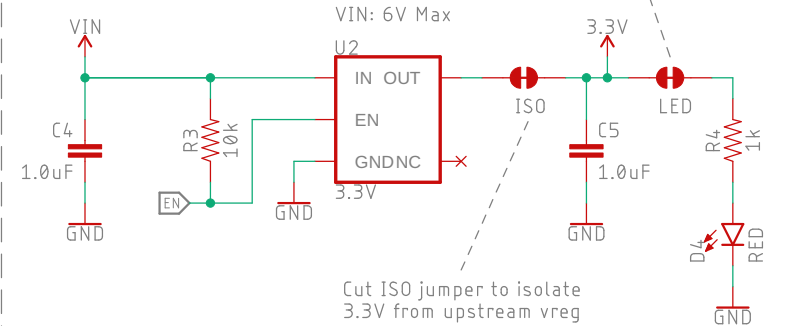
USB/LiPo Charger



Power Source Select

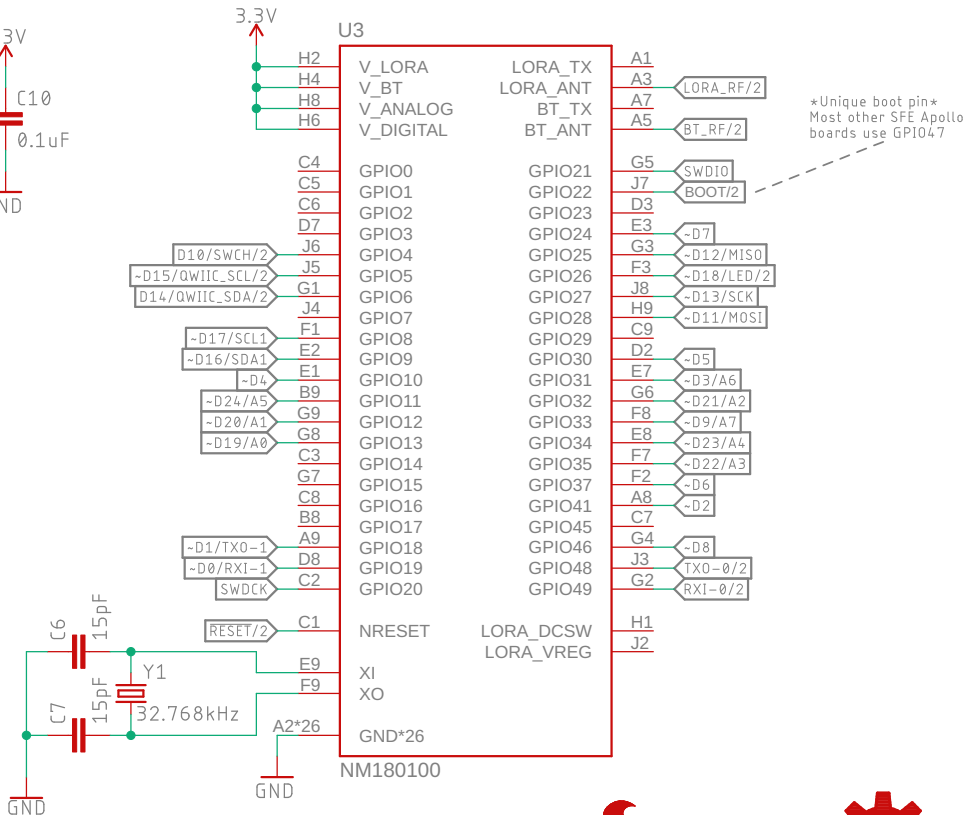
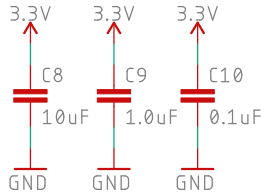


3.3V Regulator

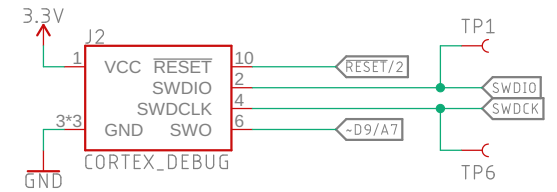


MacawBlue (Apollo3)

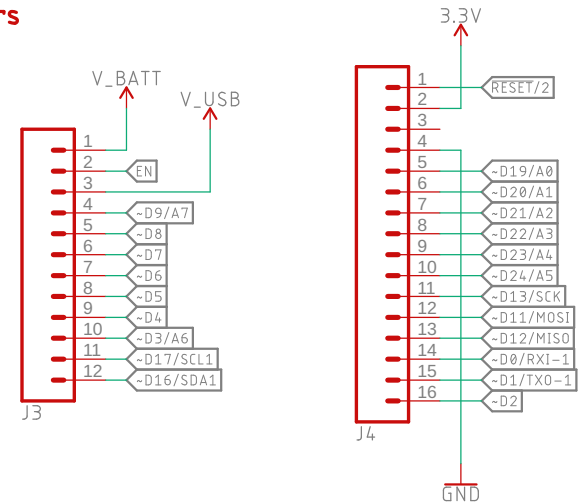
VCC Range: 2.8–3.6V



SWD Program/Debug Interface



Headers



Released under the Creative Commons

Attribution Share-Alike 4.0 License

<https://creativecommons.org/licenses/by-sa/4.0/>

Special Instructions



TITLE: expLoRaBLE Thing Plus

Design by: Daniel Dobre

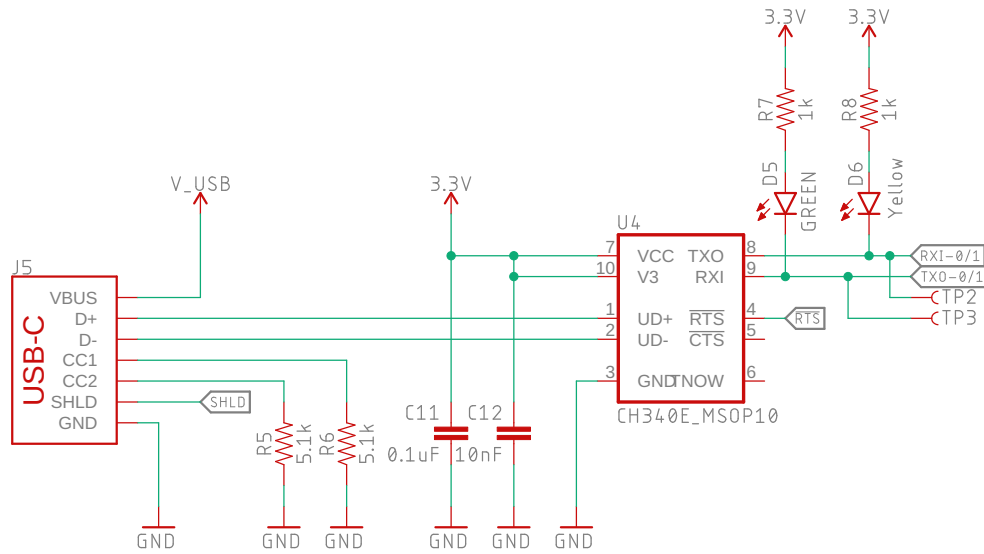
REV:
v11

Date: 1/27/2021 10:54 AM

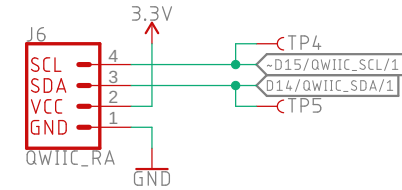
Sheet: 1/2



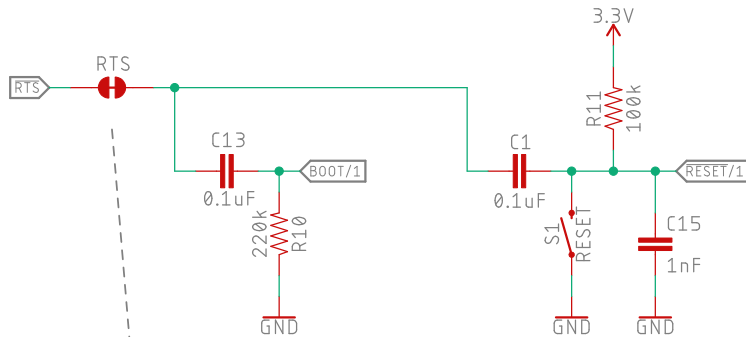
USB-to-Serial Converter



I2C/Qwiic

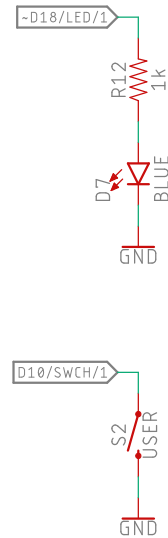


Reset Circuit

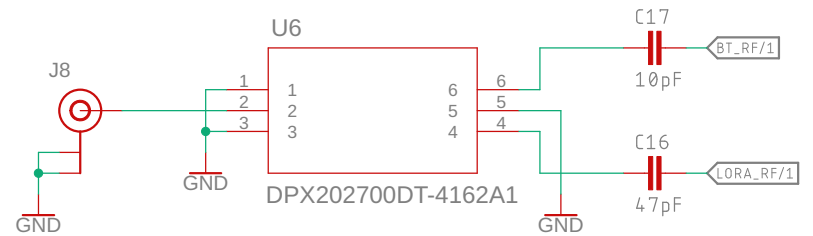


RTS Jumper is optional.
When closed, this allows the user
to reset the module from the
CH340E IC via software.

User LED and Button



Antenna Connections



Released under the Creative Commons
Attribution Share-Alike 4.0 License
<https://creativecommons.org/licenses/by-sa/4.0/>

TITLE: expLoRaBLE Thing Plus

Design by: Daniel Dobre

REV:
v11

Date: 1/27/2021 10:54 AM

Sheet: 2/2