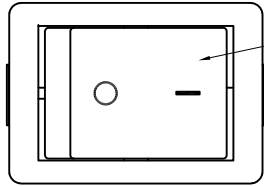
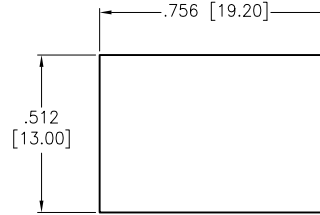


APPROVED: _____
 DATE: _____ TITLE: _____

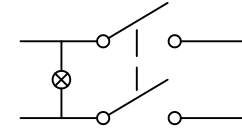
Rev	AWO #	Description	Date	Appr
-		RELEASED	9/24/20	
A		UPDATE DIM	7/20/21	WX/RC



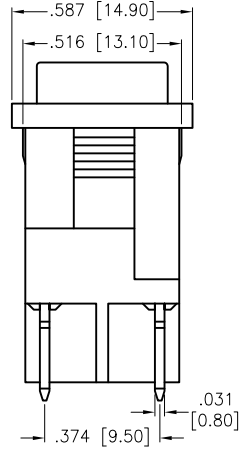
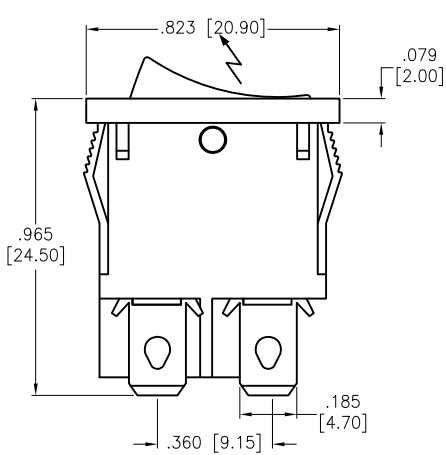
LIGHTED WITH WHITE MARKINGS



RECOMMENDED PANEL CUT-OUT



CIRCUIT DIAGRAM (DPST) ON-OFF



SW-R2-3A-F-LXX-4

	Lighted Actuator	Actuator Markings
W	Lighted White	1
R	Lighted Red	2
G	Lighted Green	3
Y	Lighted Yellow (Amber)	4
B	Lighted Blue	5
O	Lighted Orange	6

Replace "x" in P/N with the corresponding switch color and marking

SPECIFICATIONS:

Material:
 Body: Nylon 66, Color Black, Rated UL 94V-0
 Terminal: Brass, Silver plated
 Button: Nylon 66, Lighted color (See Chart). White color markings
 Electrical:
 Rating: 10A @ 125V AC
 6A @ 250V AC
 Contact resistance: 50 mohms max (Initial)
 Insulation resistance: 100 mohms min @ 500V AC
 Dielectric withstanding voltage: 1500V AC for 1 Min.
 Electrical Life: 10,000 cycles min.
 Mechanical:
 Operating Life: 100,000 cycles min.
 Temperature Rating:
 Operating temperature: -25°C to +85°C
 Environmental:
 Lead free, RoHS compliant



UNLESS OTHERWISE SPECIFIED ALL DIMENSIONS ARE INCHES [MM] TOLERANCES: EXCEPT AS NOTED INCHES HOLES .X ± .10 Ø.X ± .10 .XX ± .020 Ø.XX ± .015 .XXX ± .015 Ø.XXX ± .010		ADAM TECH 909 Rahway Avenue, Union, NJ 07083 Phone: 908-687-5000 Fax: 908-687-5710	
APPROVALS DRAWN SS 9/24/20 CHECKED SS 9/24/20 APPROVED		TITLE SWITCH, ROCKER, DPST, ON-OFF, COLOR BLACK, PANEL MOUNT, .187" [4.8] SOLDER	
SIZE X	PART NO. SW-R2-3A-F-LXX-4	REF:	REV. A
SCALE: NTS		SHEET 1 OF 1	

6

5

4

3

2

1

D

D

C

C

B

B

A

A

6

5

4

3

2

1